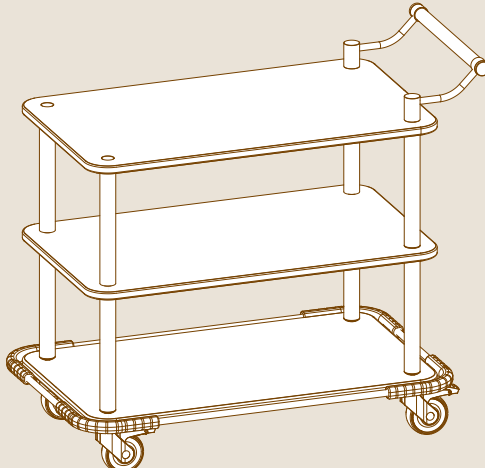
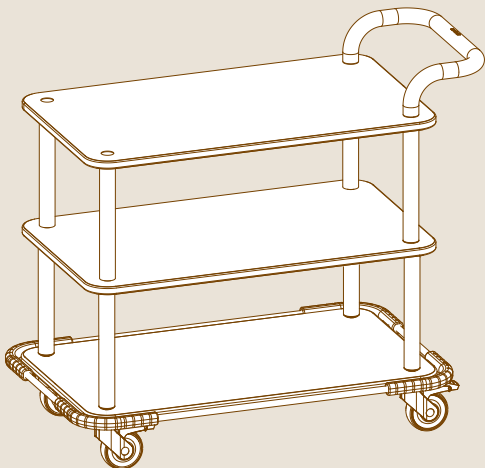
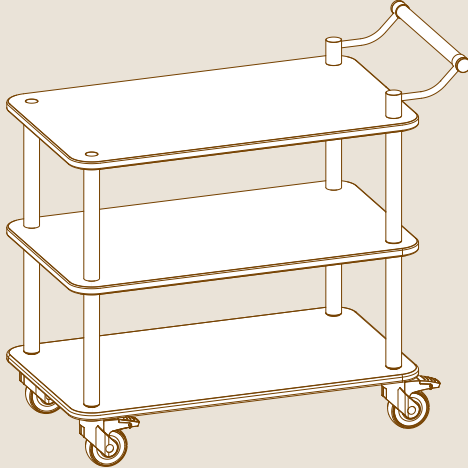
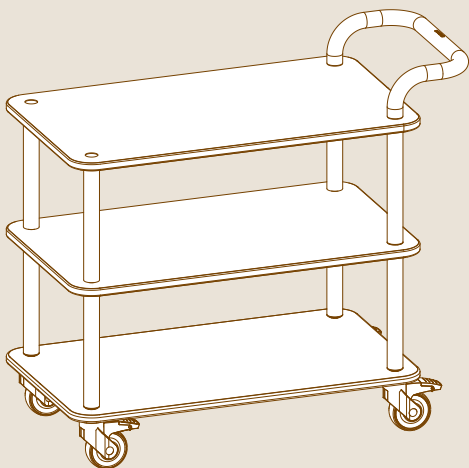


mogogo

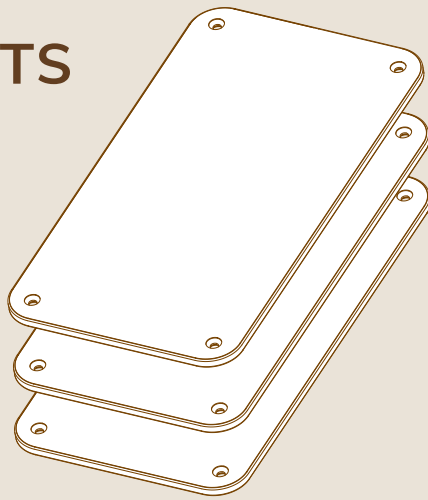
Rollin

SERVICE CARTS

SERVICE CART
ASSEMBLY INSTRUCTIONS

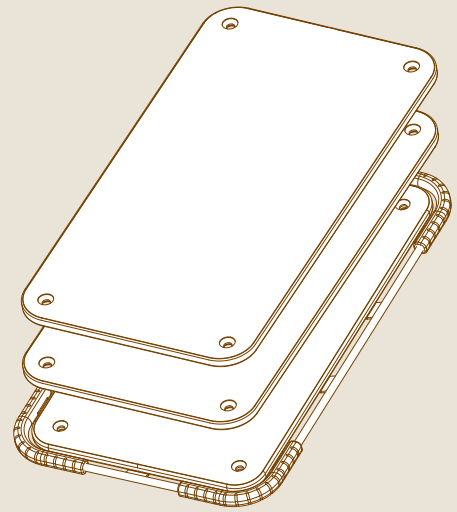


PARTS

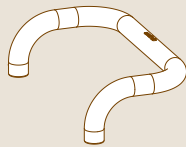


3X BHP PANEL
L35.4" W20.8" | L90cm W53cm

OR

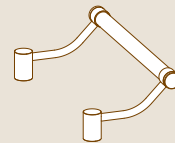


2X BHP PANEL
L35.4" W20.8" | L90cm W53cm
1XBHP PANEL WITH BUMPER SYSTEM
L38.5" W24" | L97.5cm W60.5cm

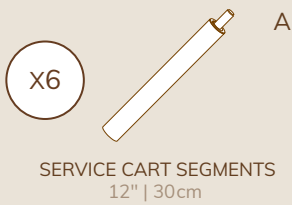


1X GENUINE LEATHER HANDLE

OR



1X STAINLESS STEEL HANDLE



X6

SERVICE CART SEGMENTS
12" | 30cm



X2

M16 ALLEN SCREWS



X1

ALLEN KEY FOR M16



X2

SERVICE CART SEGMENTS
12" | 30cm



X2

SCREW CAPS



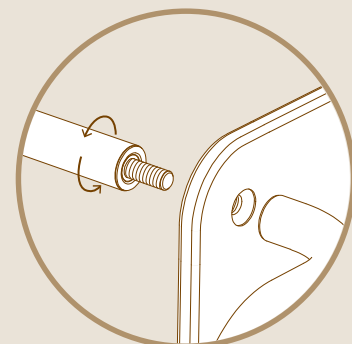
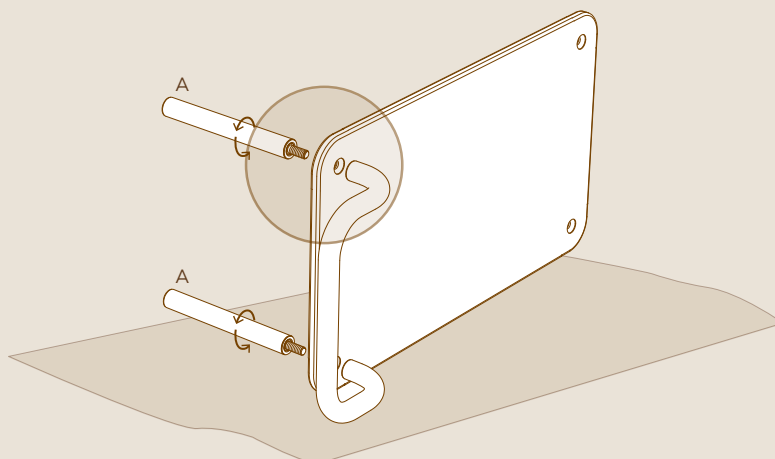
X4

CASTERS WITH BRAKES

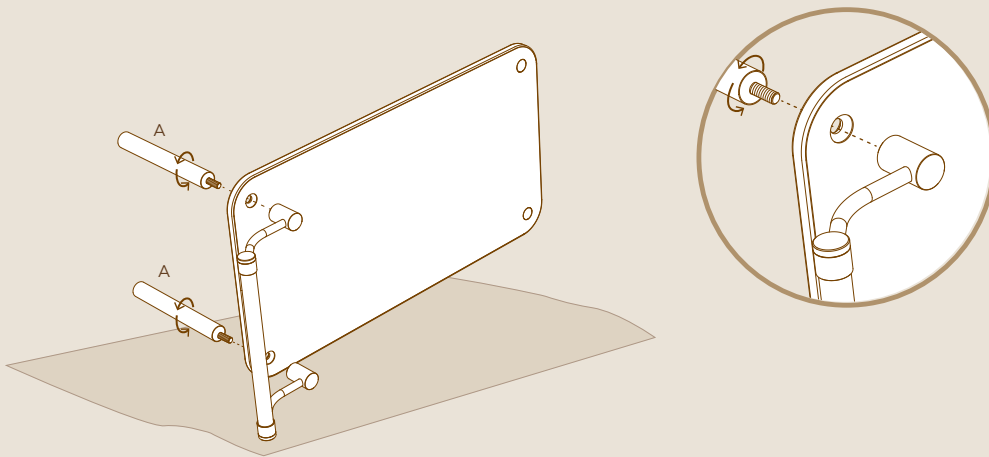
1

Start by turning one panel on its side
Screw the segments tightly into the leather handle

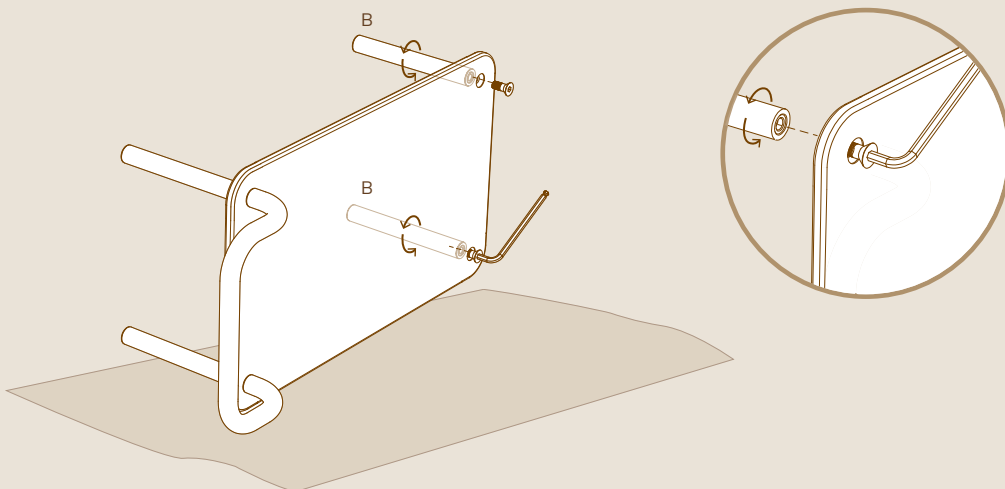
*If your cart includes stainless steel handle instead of a leather handle it should look like drawing 1.1



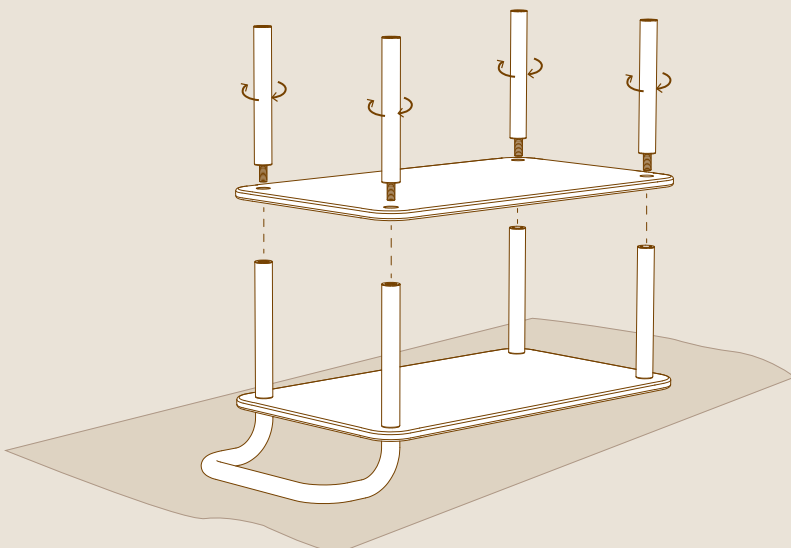
1.1 Screw the segments tightly into the stainless steel handle



2

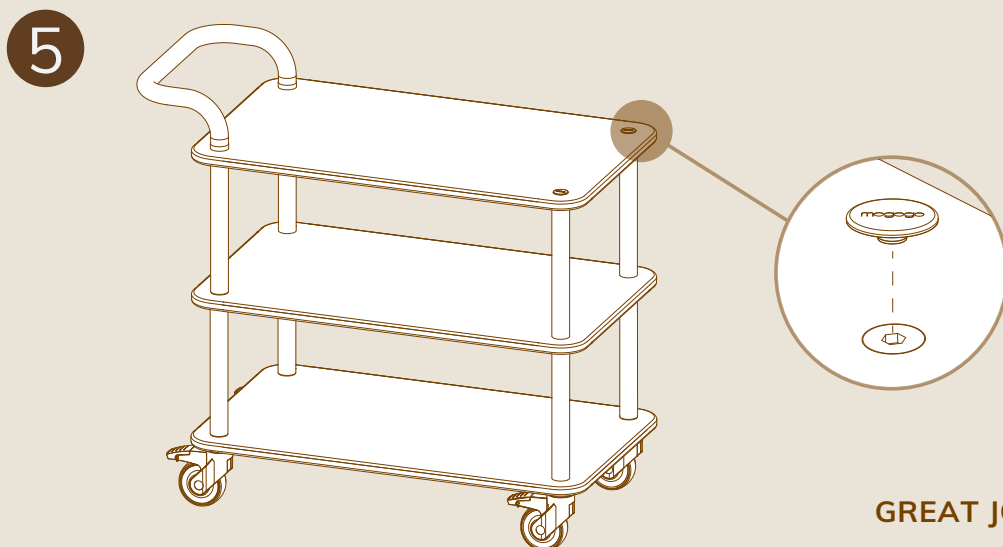
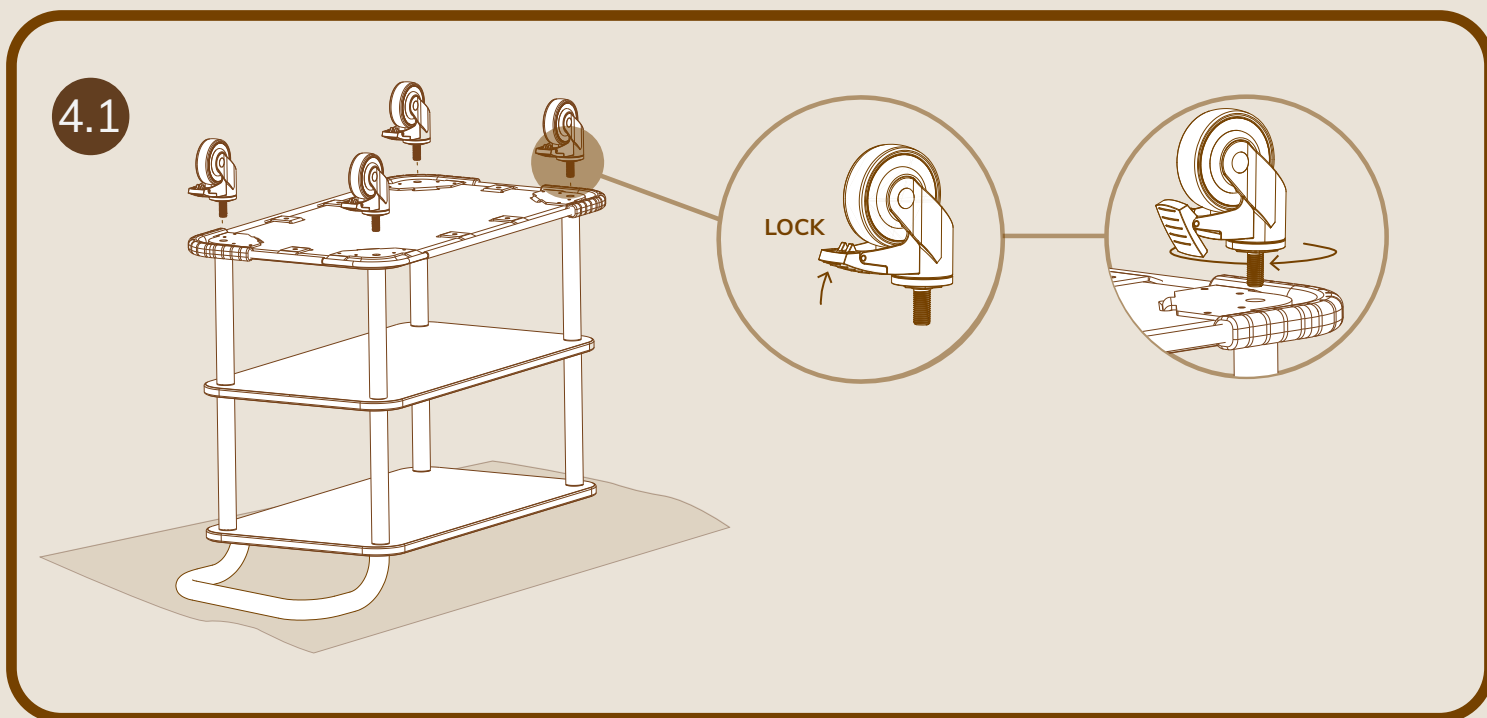
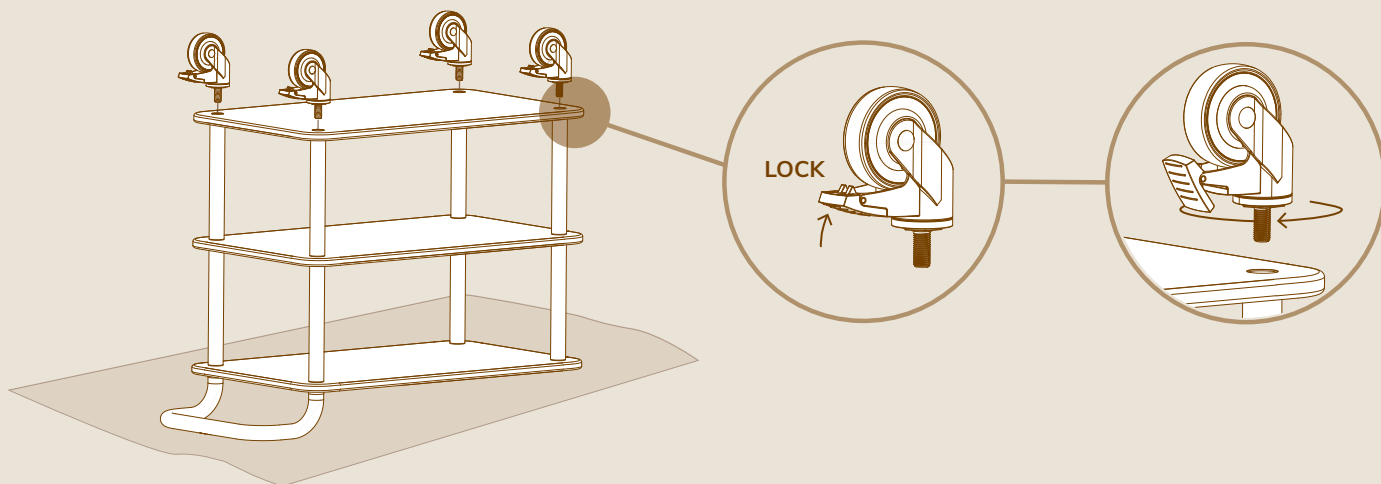


3 Turn the cart upside down. Make sure to tighten the segments well.



4 Lock the casters before screwing them into place, and tighten them well.

*If your cart includes a bumper system it should look like drawing 4.1



GREAT JOB, YOU'RE GOOD TO GO!