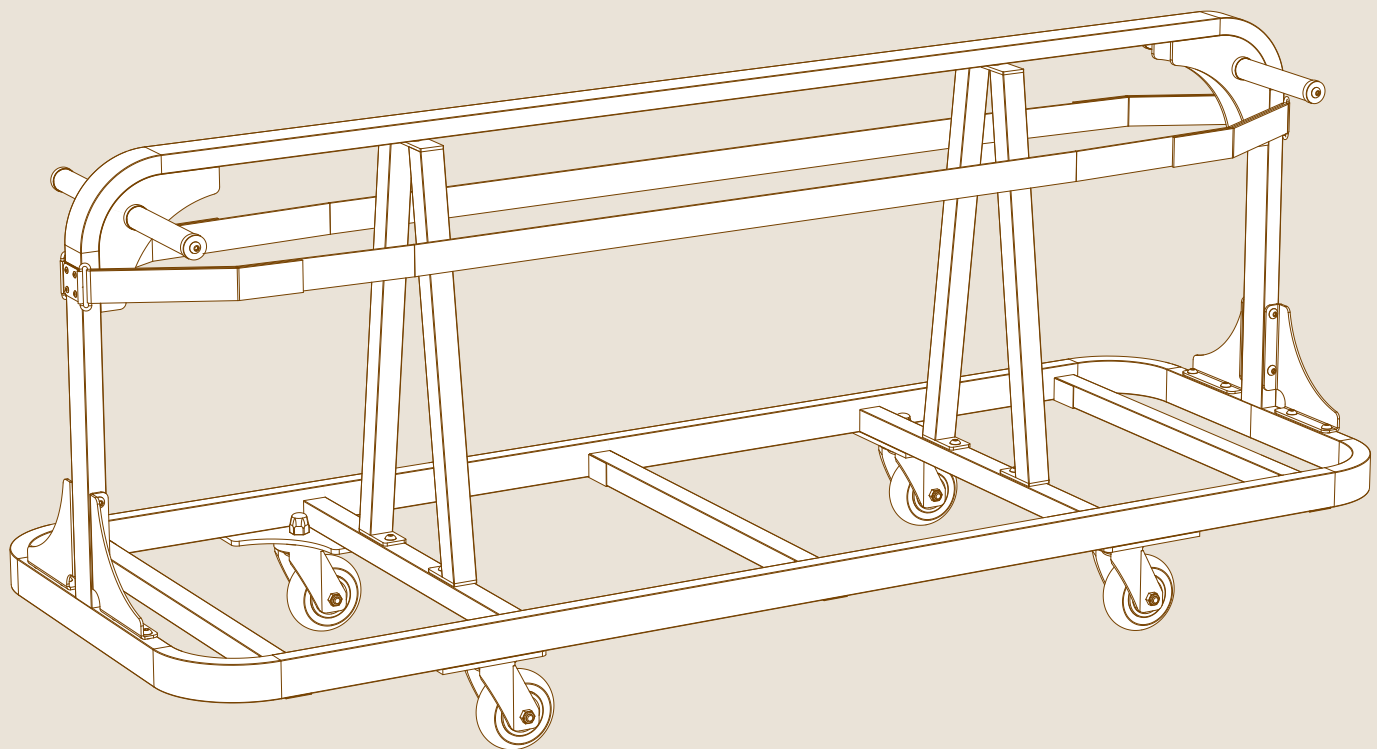


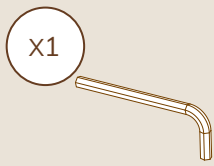
mogogo

UTILITY  
COLLECTION

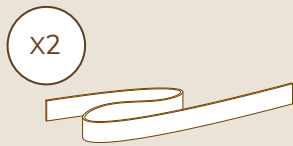
## LARGE PLATE TRANSFER AND STORAGE CART



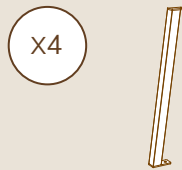
# PARTS



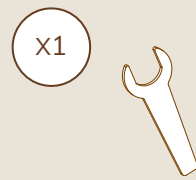
X1  
ALLEN KEY FOR  
M10 SCREWS



X2  
STRAPS



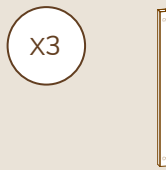
X4  
VERTICAL SUPPORTER



X1  
FLAT KEY



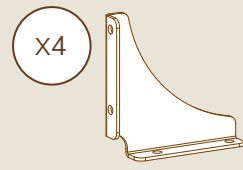
X34  
ROUND CAP M10 SCREWS



X3  
HORIZONTAL SUPPORTER  
(2 HOLES)



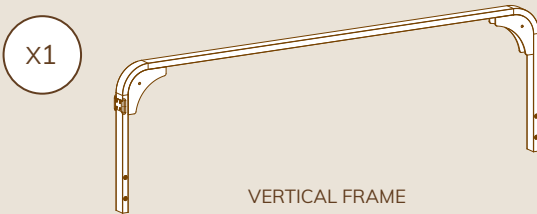
X2  
HORIZONTAL SUPPORTER  
(4 HOLES)



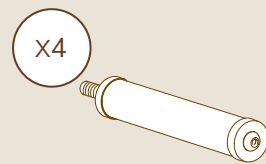
X4  
FRAME ANGLES



X4  
SCREW NUTS



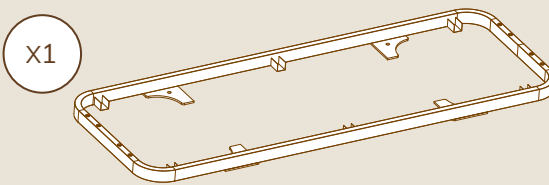
X1  
VERTICAL FRAME



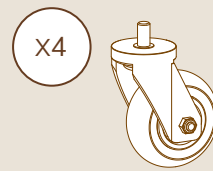
X4  
HANDLES



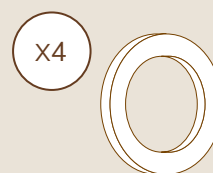
X4  
SCREW CAPS



X1  
HORIZONTAL FRAME



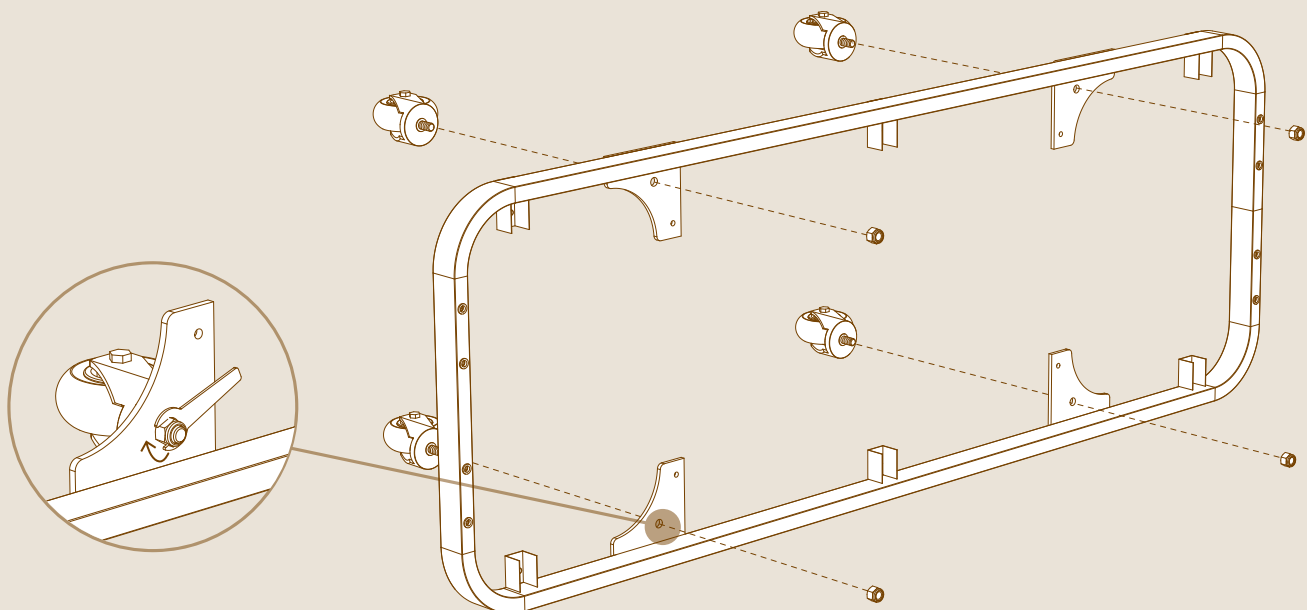
X4  
CASTERS



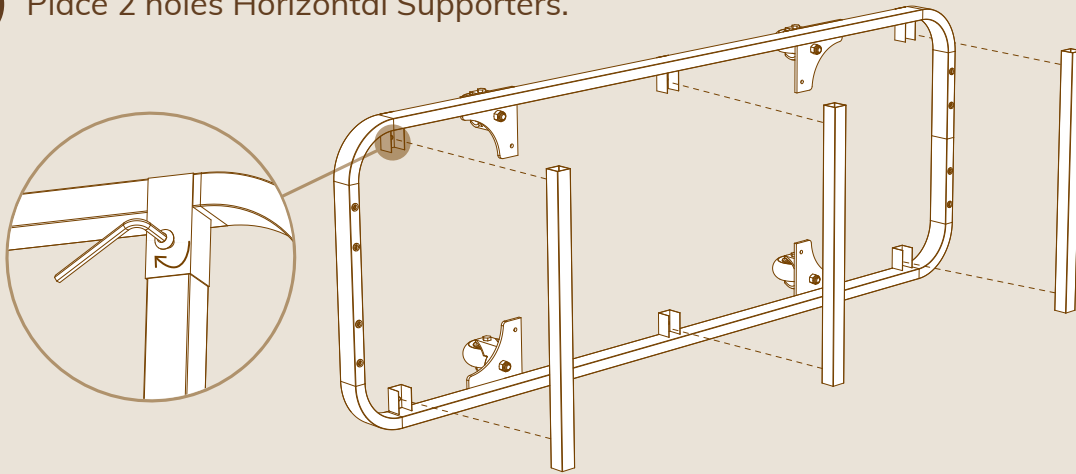
X4  
RING

# ASSEMBLY

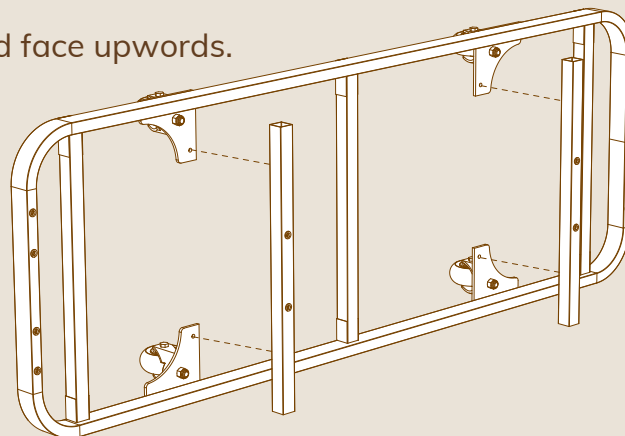
1



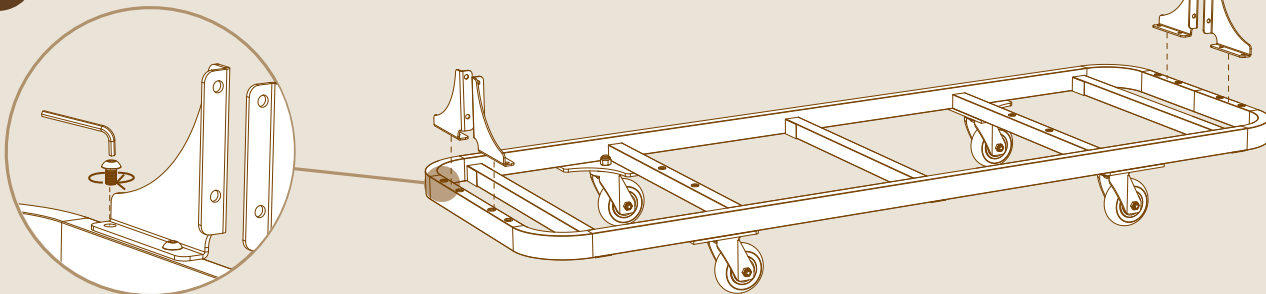
**2** Place 2 holes Horizontal Supporters.



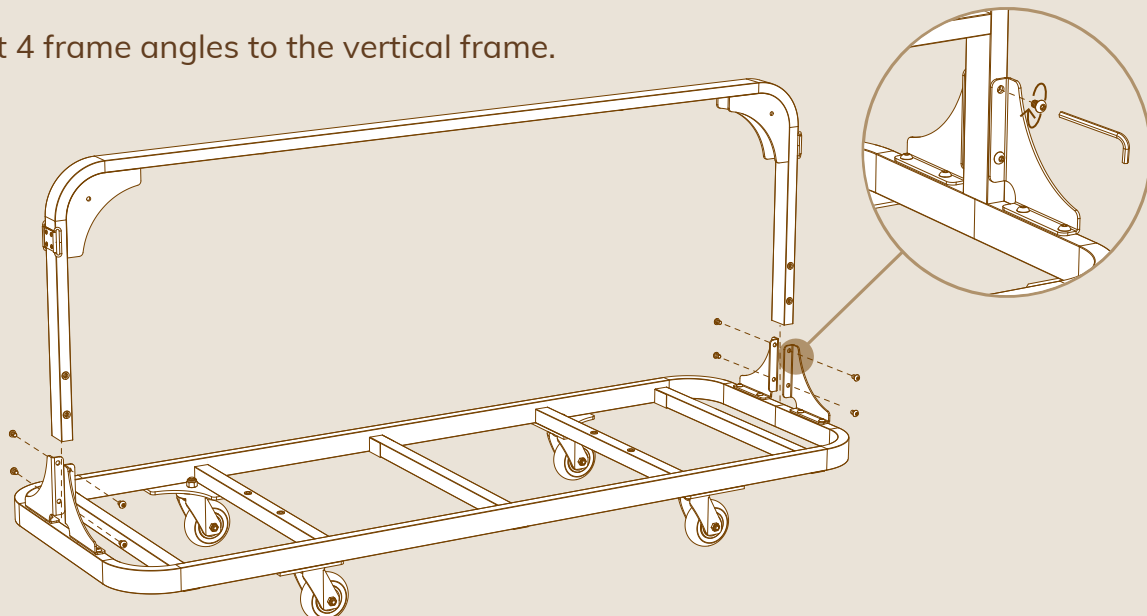
**3** Place 4 holes Horizontal Supporters above casters.  
2 middle holes should face upwards.



**4** Keep frame angle screws loose.

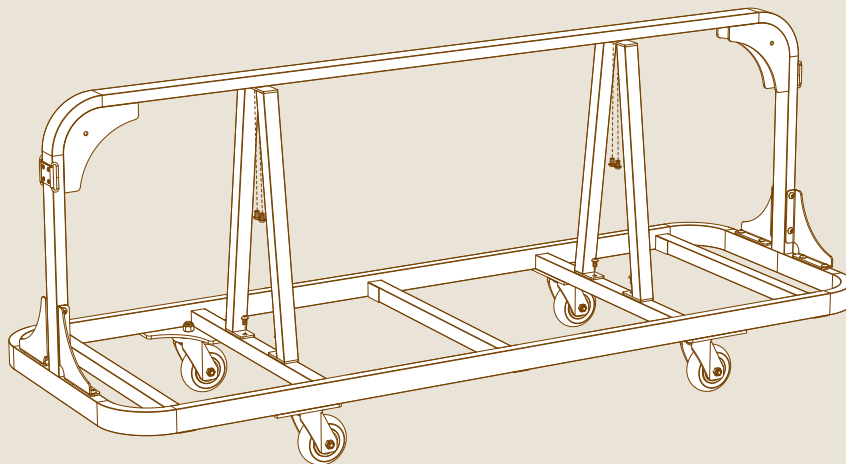


**5** Adjust 4 frame angles to the vertical frame.



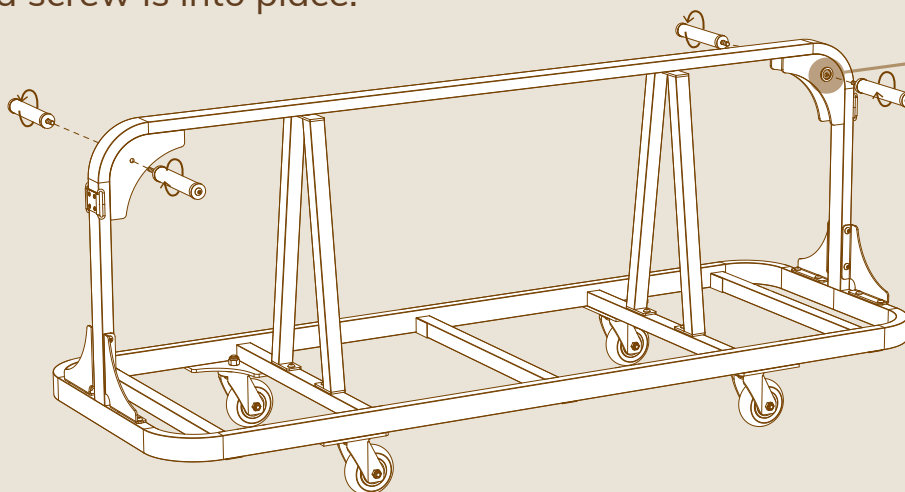
**6** Tighten all screws.

7

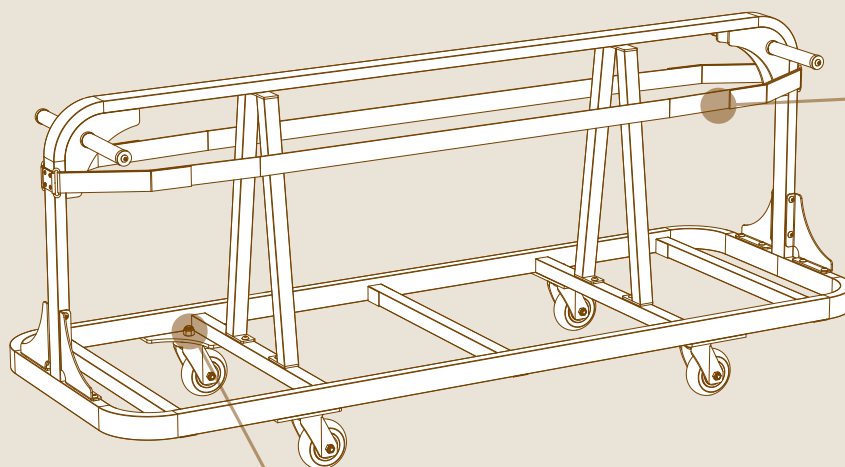


8

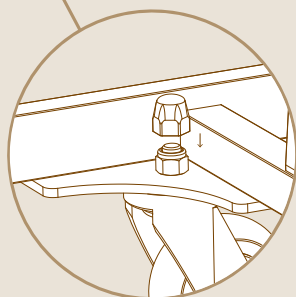
Place the washer between the handle and the nut and screw is into place.



9



Tighten velcro on straps.



Add screw caps on  
caster screws.

**YOU'RE ALL DONE, WAY TO GO!**