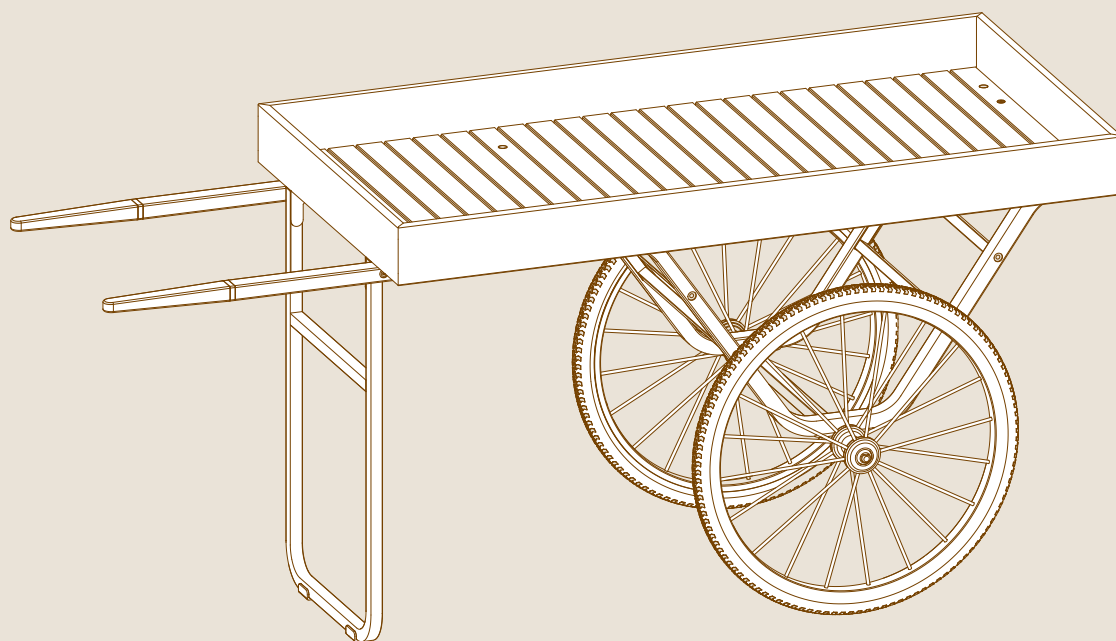


mogogo

Cantine
DISPLAY CART


STANDARD CART


ASSEMBLY INSTRUCTIONS





PARTS



X4 
HEX SCREW
M8 1X20 | 0.8"

X4 
SOCKET HEAD SCREW
M6-1X35 | 1.4"


X16 
SOCKET HEAD SCREW
M6-1X40 | 1.6"


X4 
SOCKET HEAD SCREW
M6-1X50 | 2"

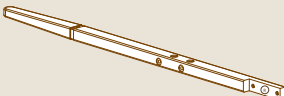
X1 
MULTI-TOOL

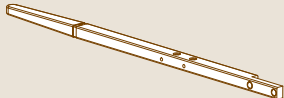
X1  X1 
SCREWDRIVER BIT
FOR M6 SCREWS ALLEN KEY FOR
M6 SCREWS

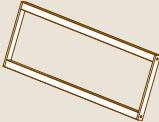
X2 
WHEEL NUT
M12X20 | 0.5"

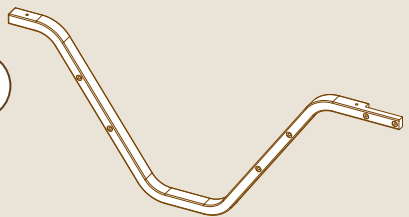
X4 
SOCKET HEAD SCREW
M6-1X30 | 1.2"

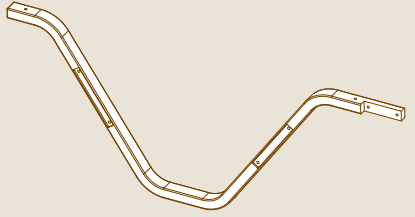
X1 
AXLE

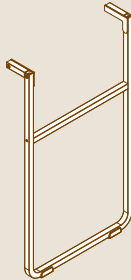
X1 
RIGHT HANDLE

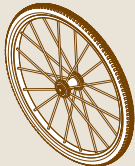
X1 
RIGHT HANDLE

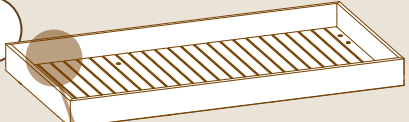
X2 
CART STIFFENER


X1 
LEFT HAND BASE FRAME

X1 
RIGHT HAND BASE FRAME

X1 
METAL LEG

X2 
26 INCH WHEEL

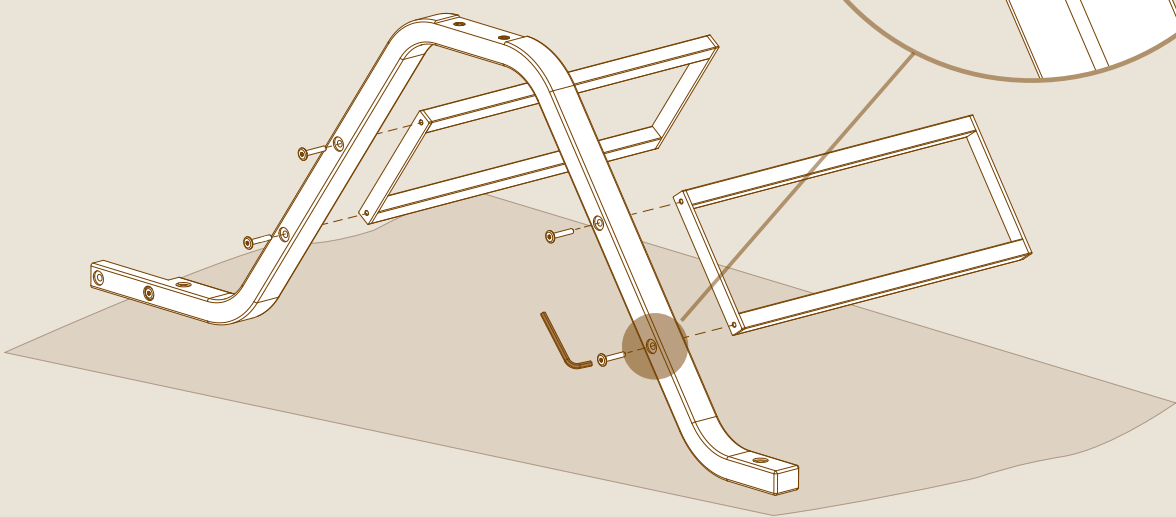
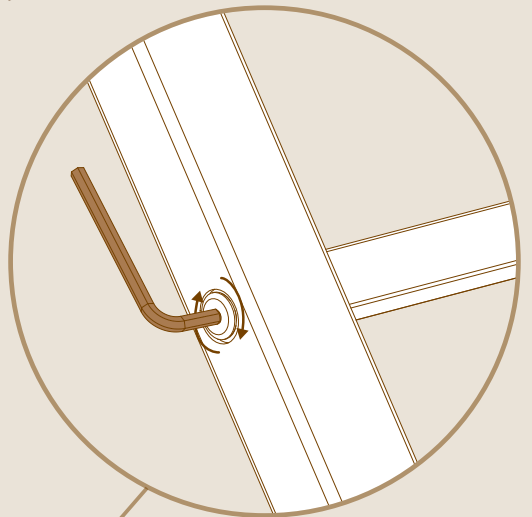
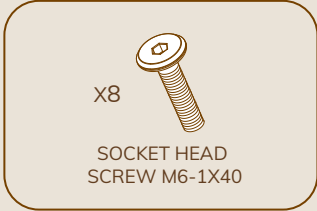
X1 
CART BODY

X4 
ULTRA SOCKET
HEAD SCREW M6 1X12 | 0.6"

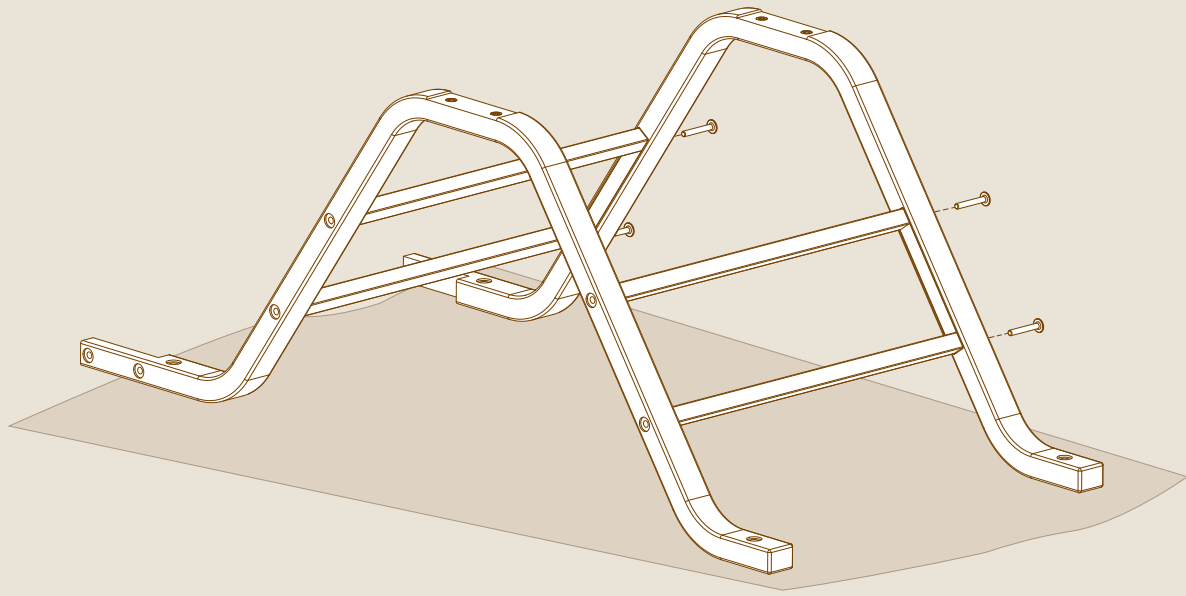
Arrived with the standard cart
DO NOT REMOVE
Designed for shelving unit

1

Set the left hand Base Frame upright and attach the cart stiffener. Don't tighten all the way.

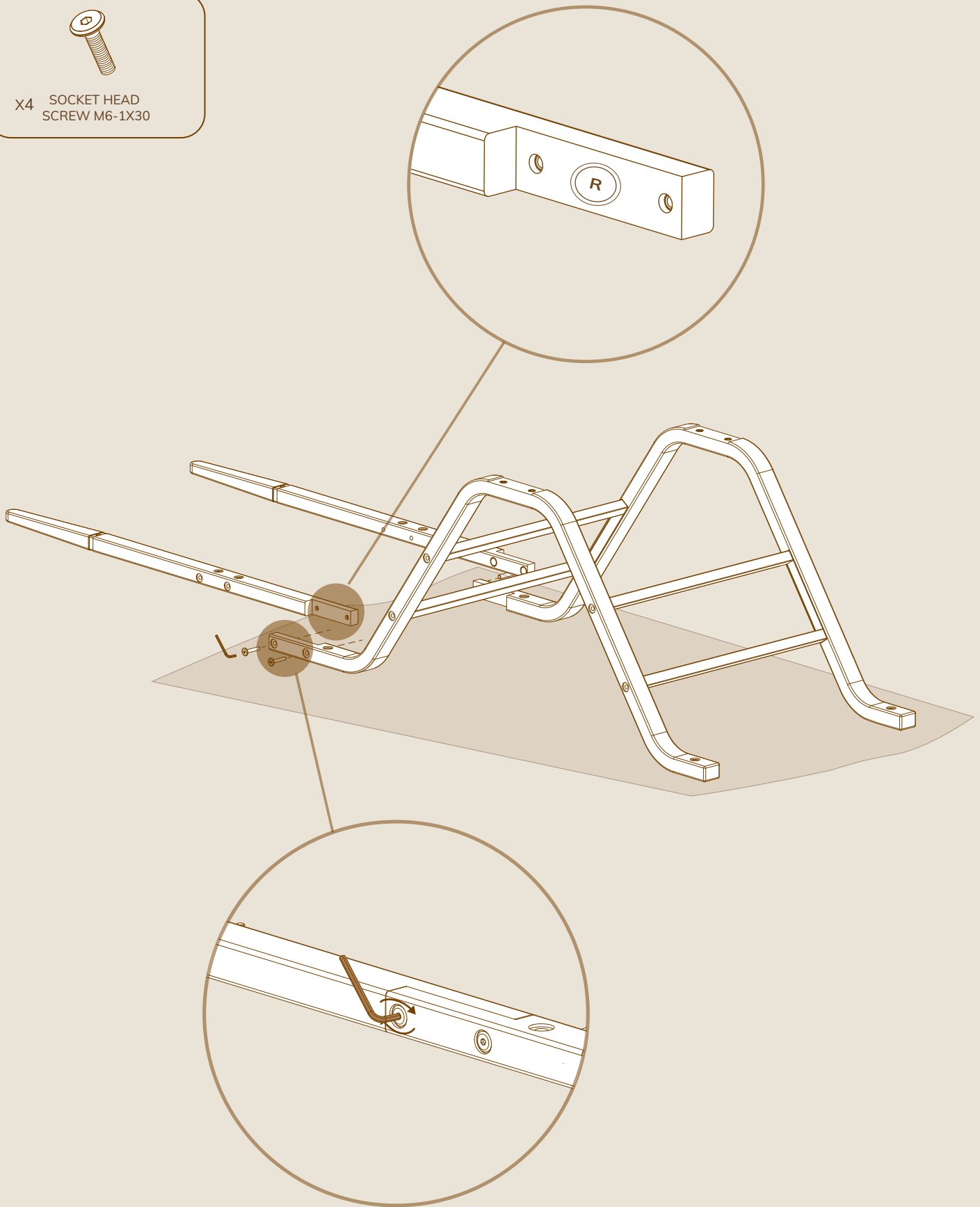


Attached Right Hand Base frame



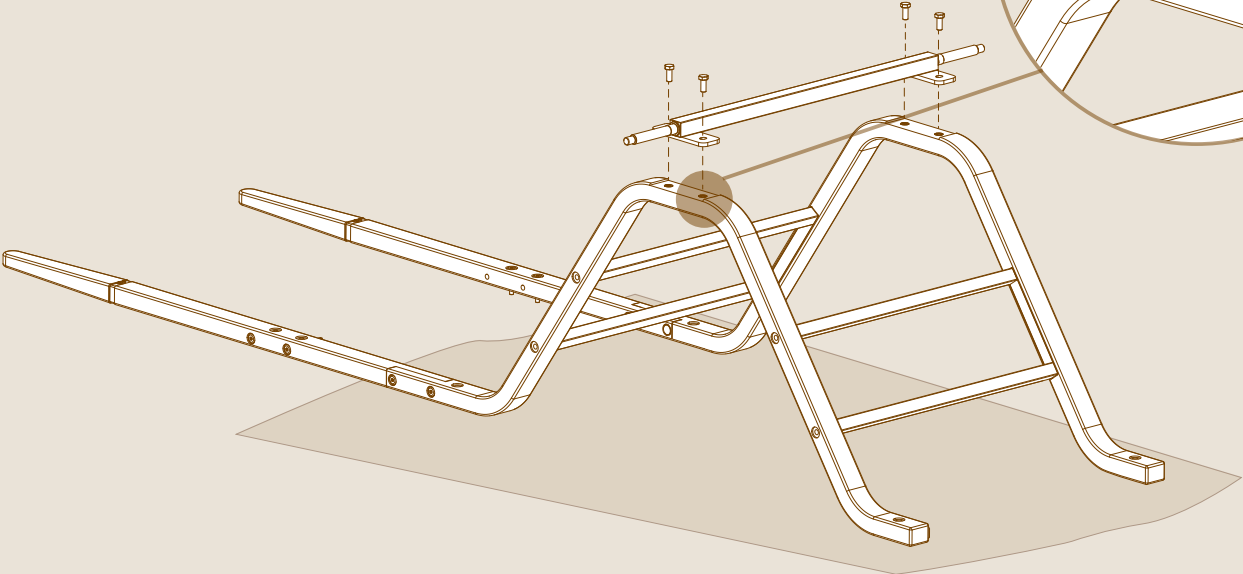
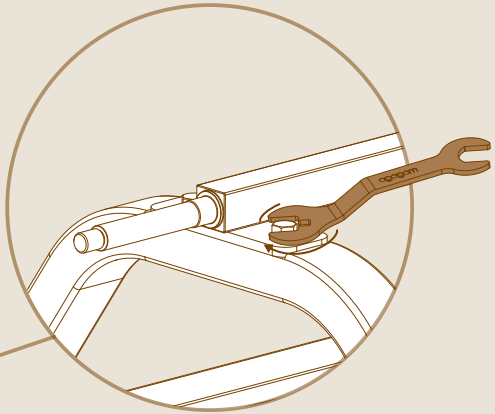
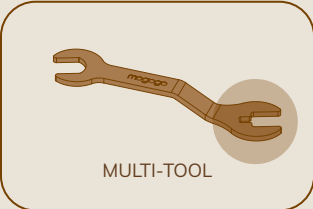
2

Attach both handles. Don't tighten all the way.



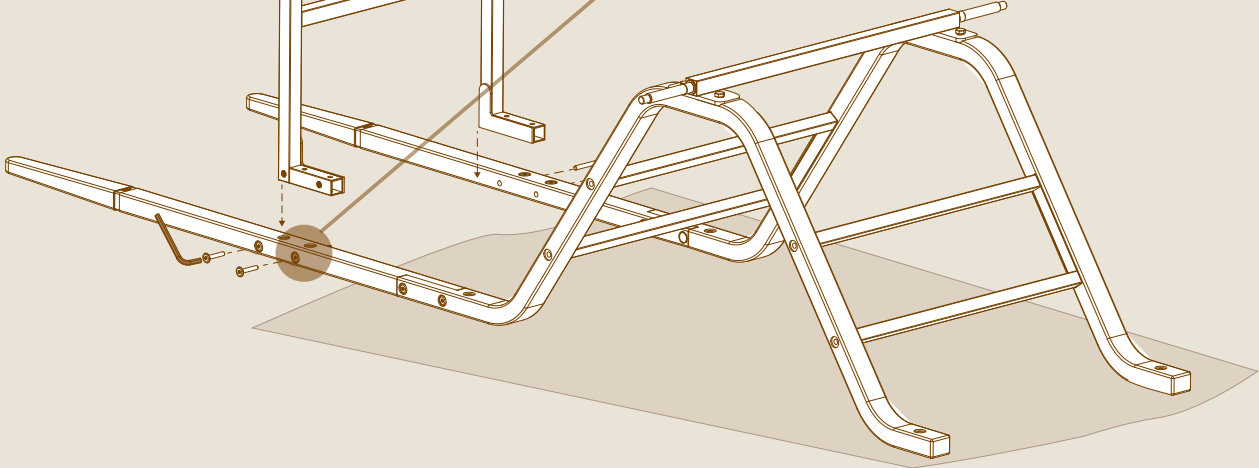
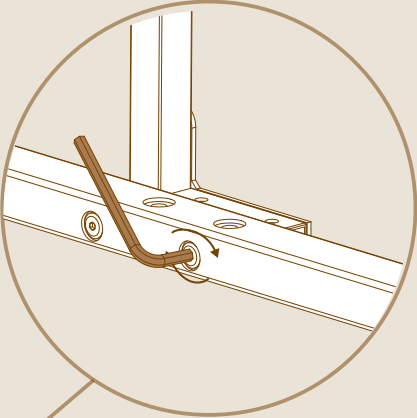
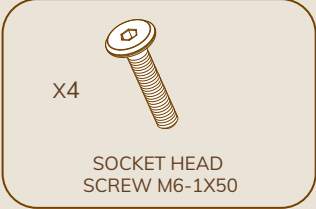
3

Attach the axle to the base frame. Don't tighten all the way.



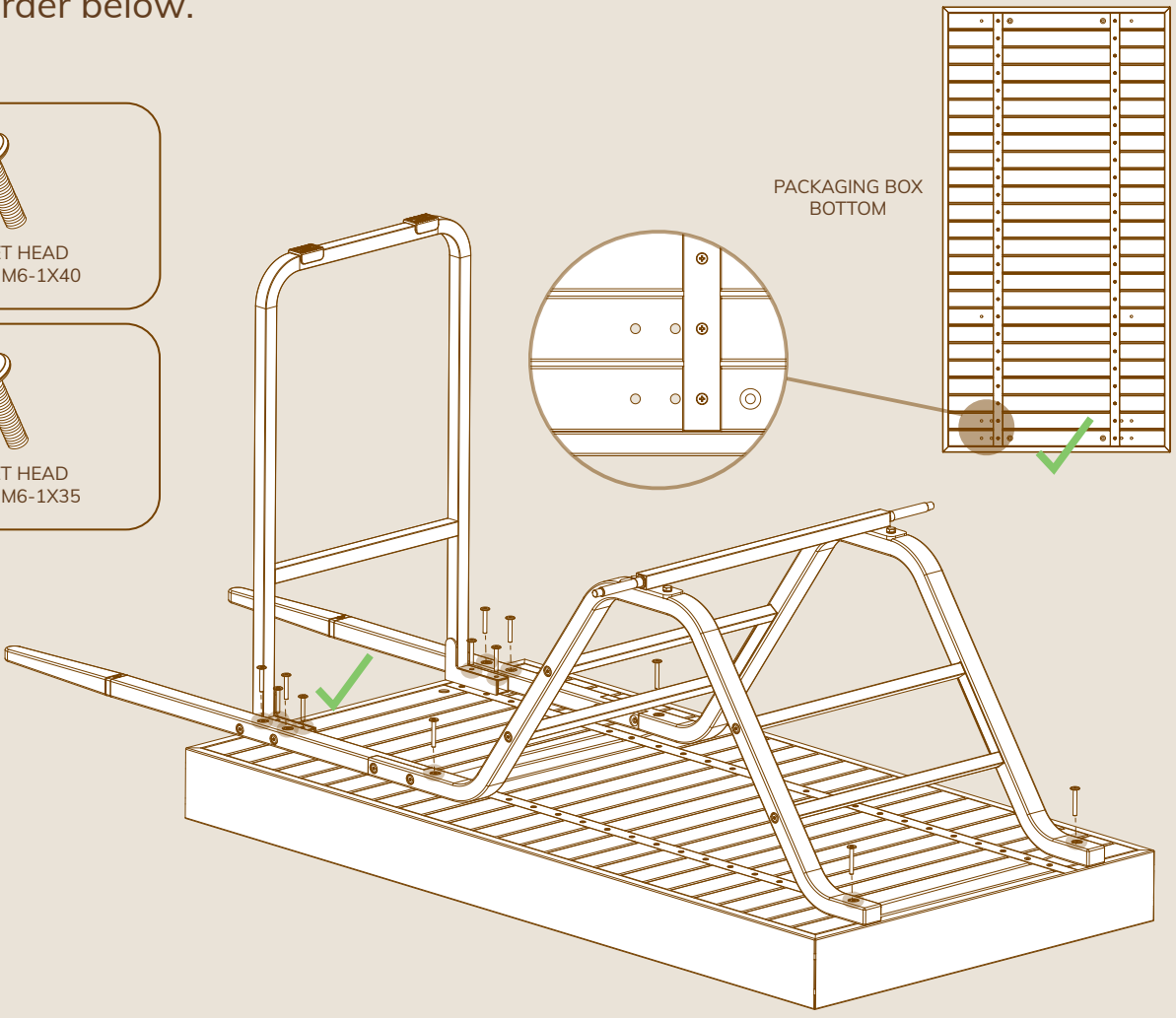
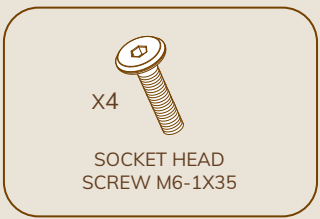
4

Attach the metal leg to both handles and **tighten completely**



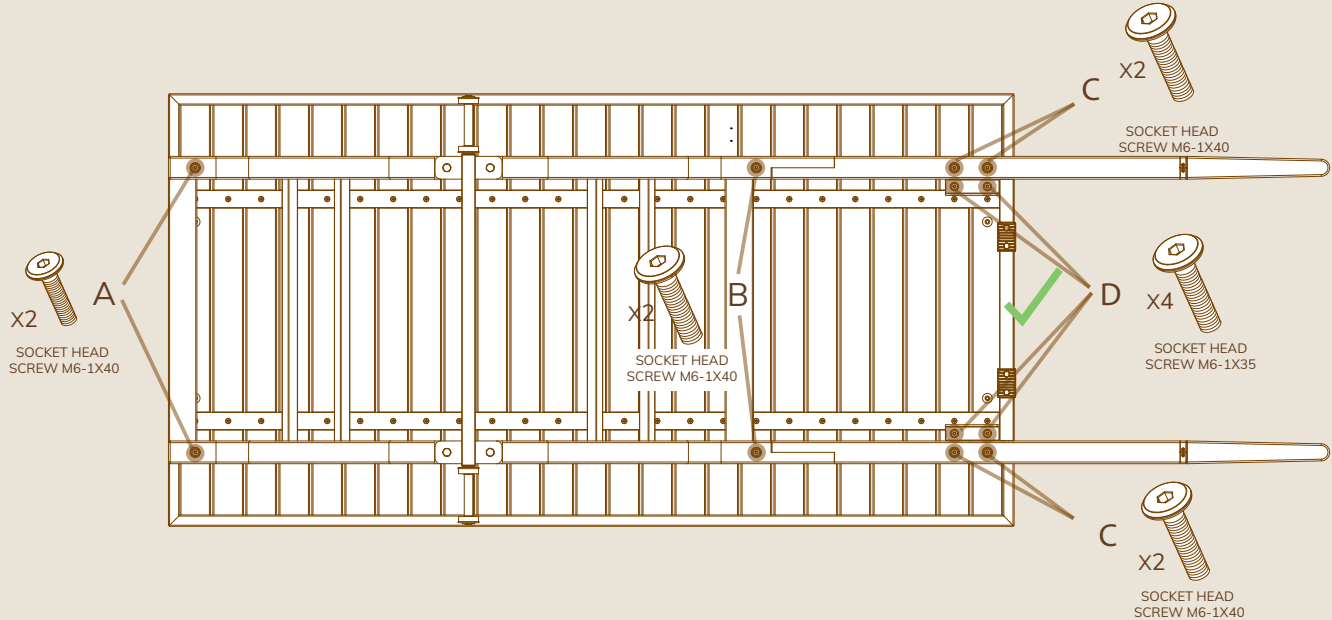
5

Place the base frame on the underside of the cart body, with handles on the end with the green tick mark. Follow the recommended tightening order below.



Recommended to screw in this order (from A to D)

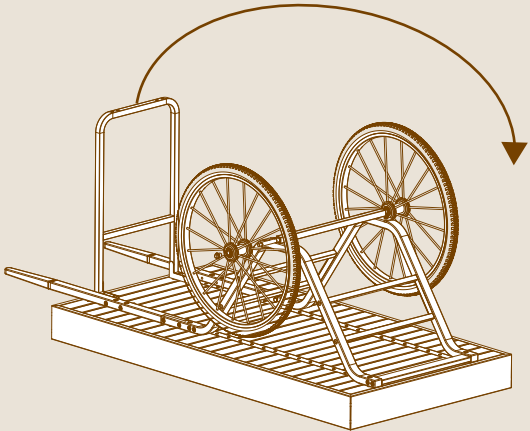
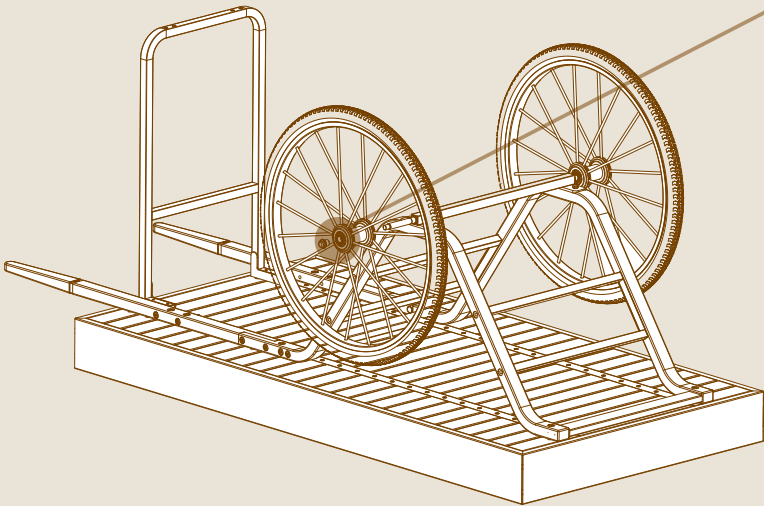
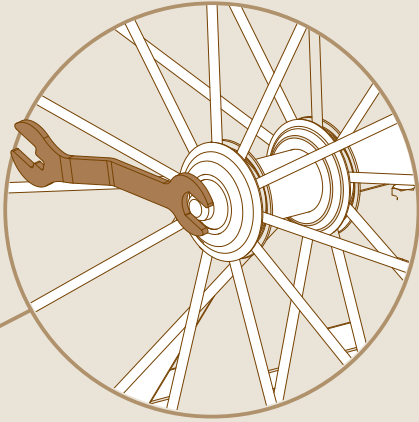
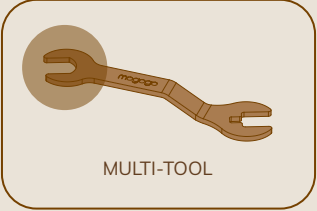
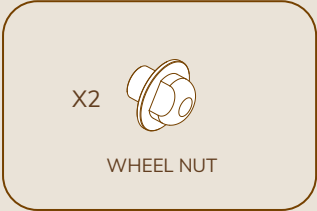
*Don't tight too hard, keep it a little loose



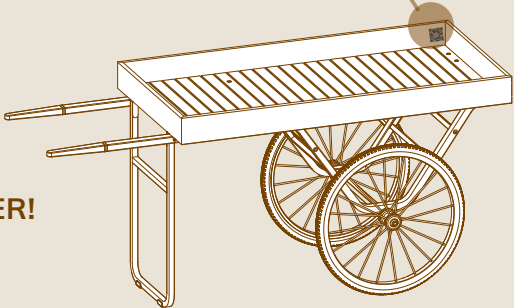
6

Place both of the wheels on the axle and tighten using the flat wrench

Tighten all the screws



TURN THE CART OVER!



WELL DONE!

