



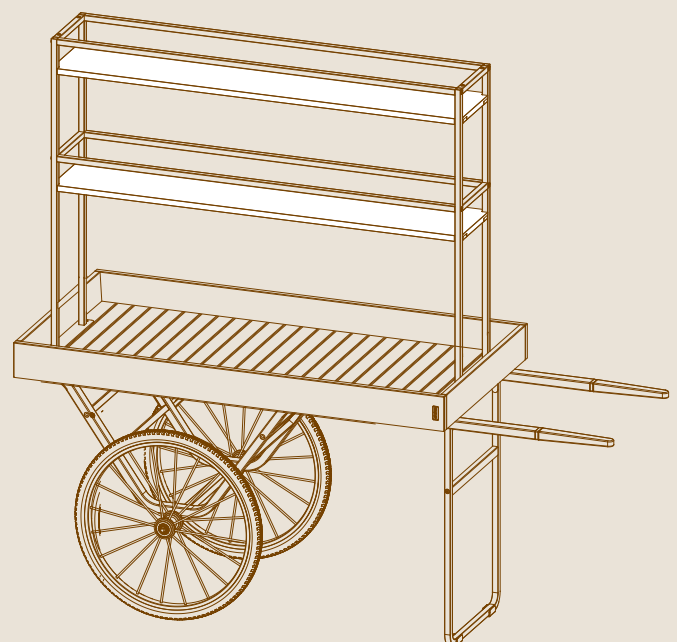
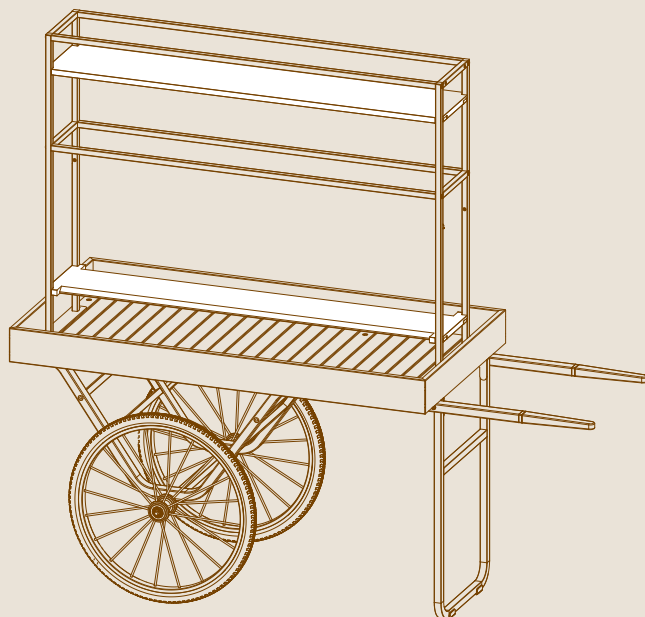
Cantine

DISPLAY CART



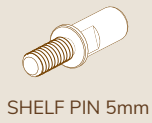
SHELF / CRATE SUPPORT SHELF

ASSEMBLY INSTRUCTIONS



PARTS

X4



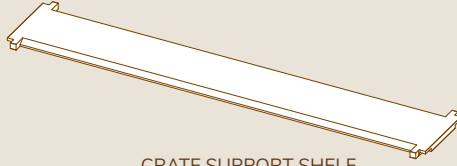
SHELF PIN 5mm

X1



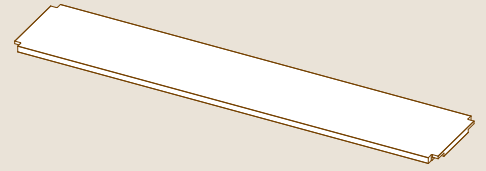
MULTI-TOOL

X1



CRATE SUPPORT SHELF

X1



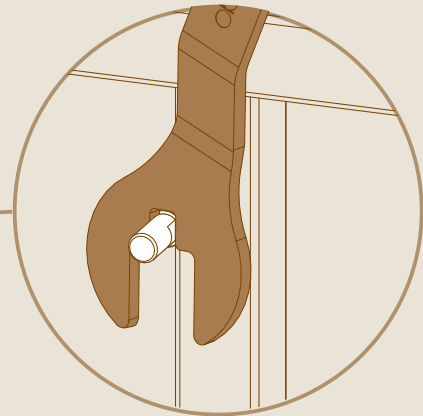
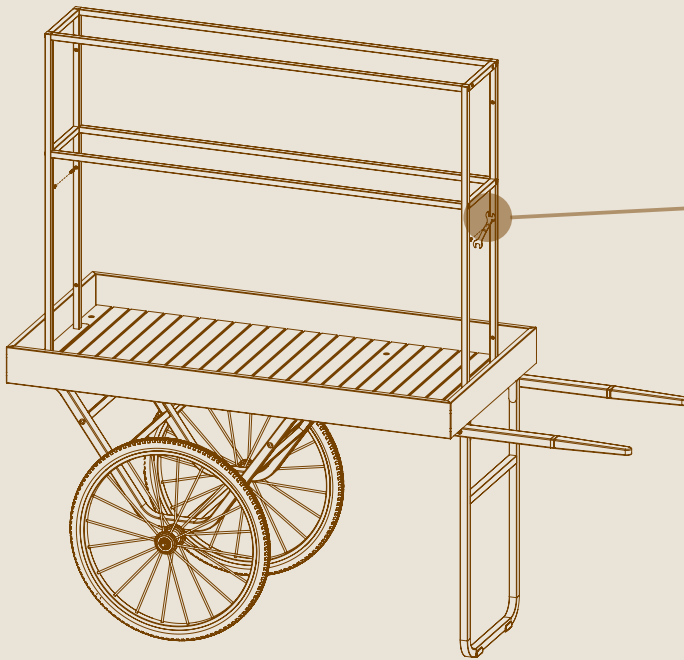
SHELF

OR

ASSEMBLY

1

Insert 4 pins into the frame's inner holes using the multi-tool.



2

Place and snap the shelf on the pins.

