

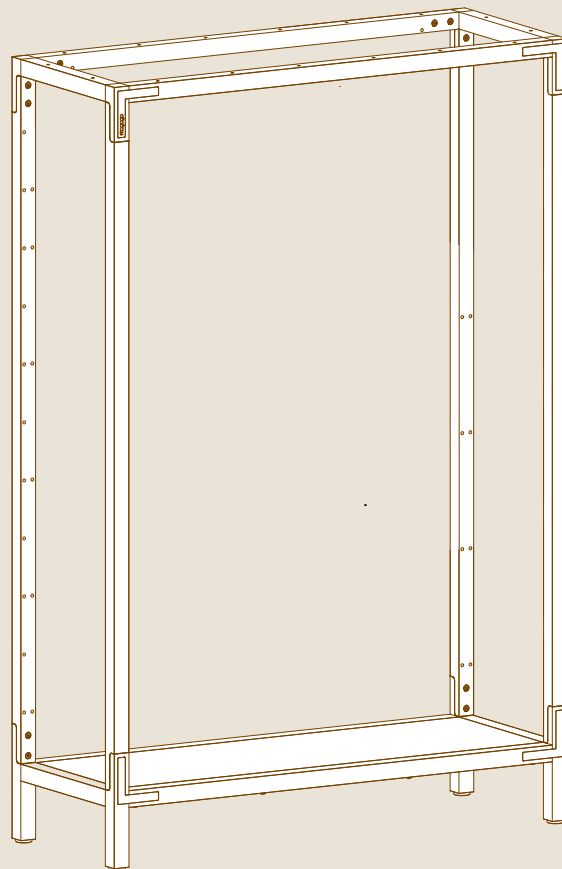


Canvas

SHELVING SYSTEM

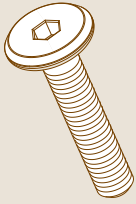
EMPTY UNIT WITH LEGS

ASSEMBLY INSTRUCTIONS



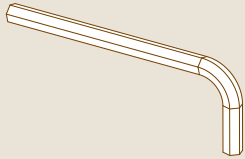
PARTS

X16



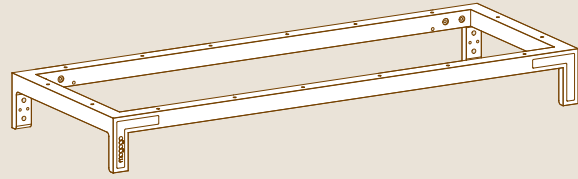
M6X30 FLAT HEAD SCREW

X1



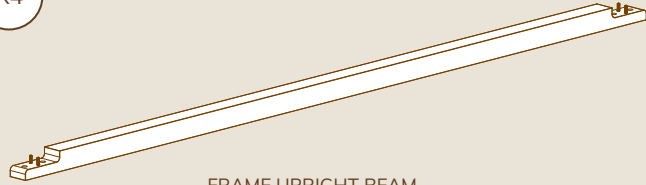
ALLEN KEY FOR
M6 SCREWS

X1



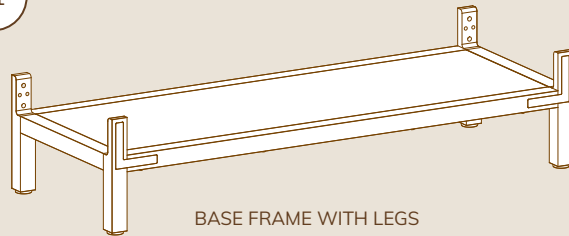
TOP FRAME

X4



FRAME UPRIGHT BEAM

X1

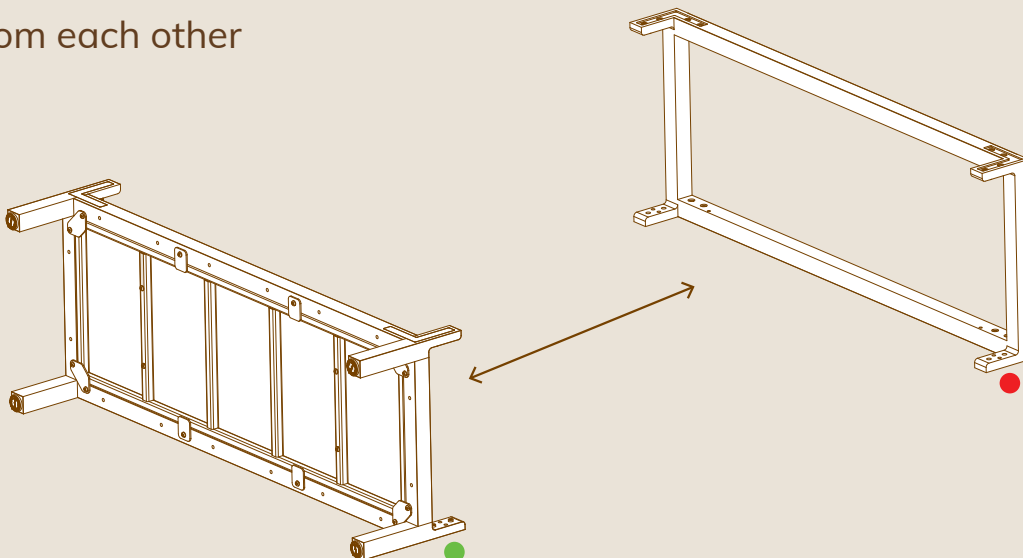


BASE FRAME WITH LEGS

ASSEMBLY

1

Place Base and Top Frame apart
from each other

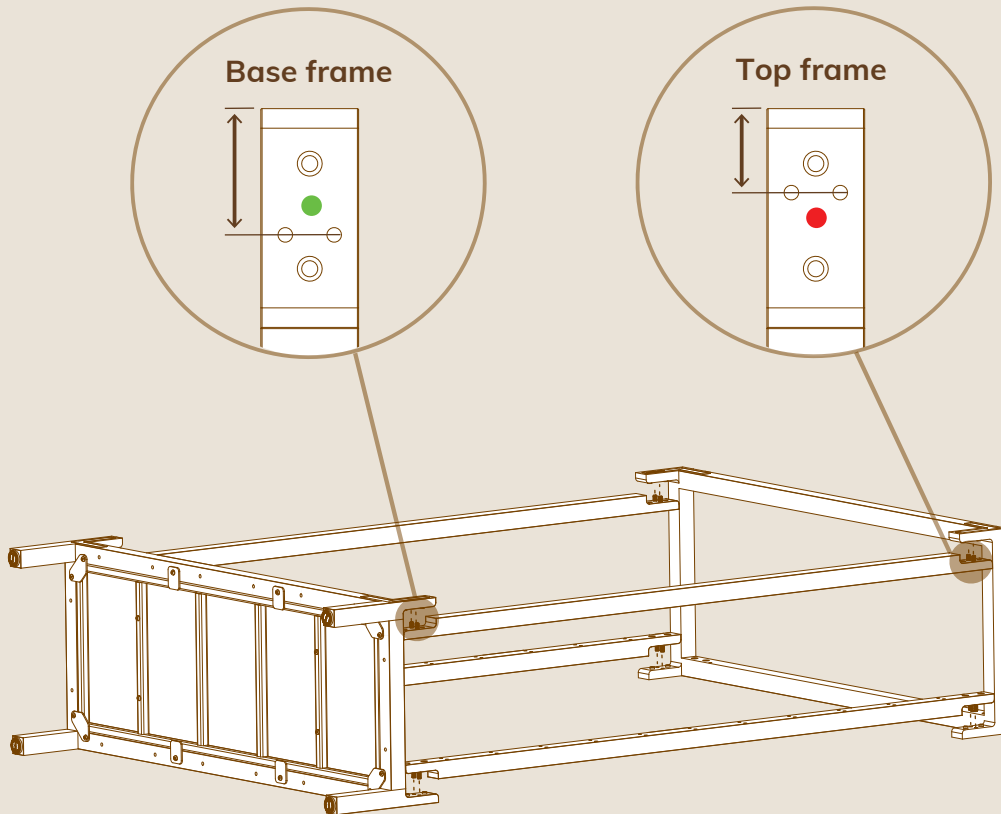


2

Assemble the frame uprights to the base frame.

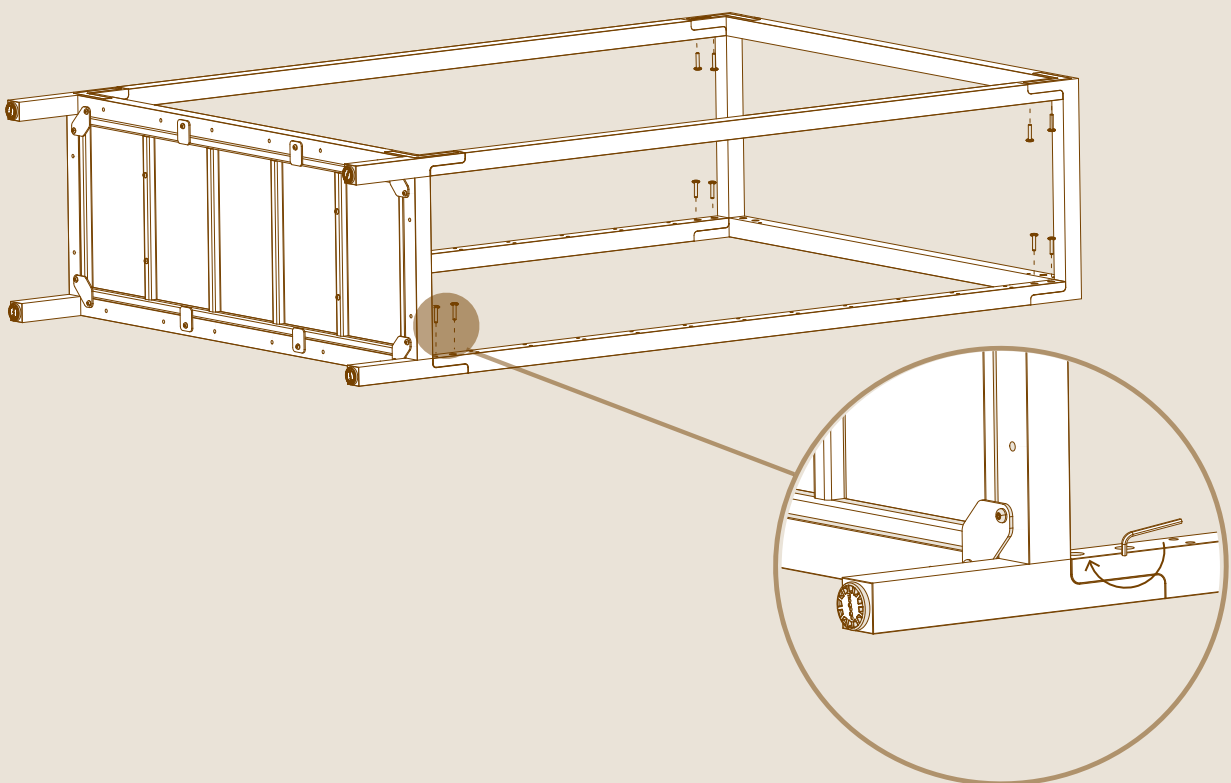
Support the uprights while tightening!

Make sure you connect each end of the beam to the right side



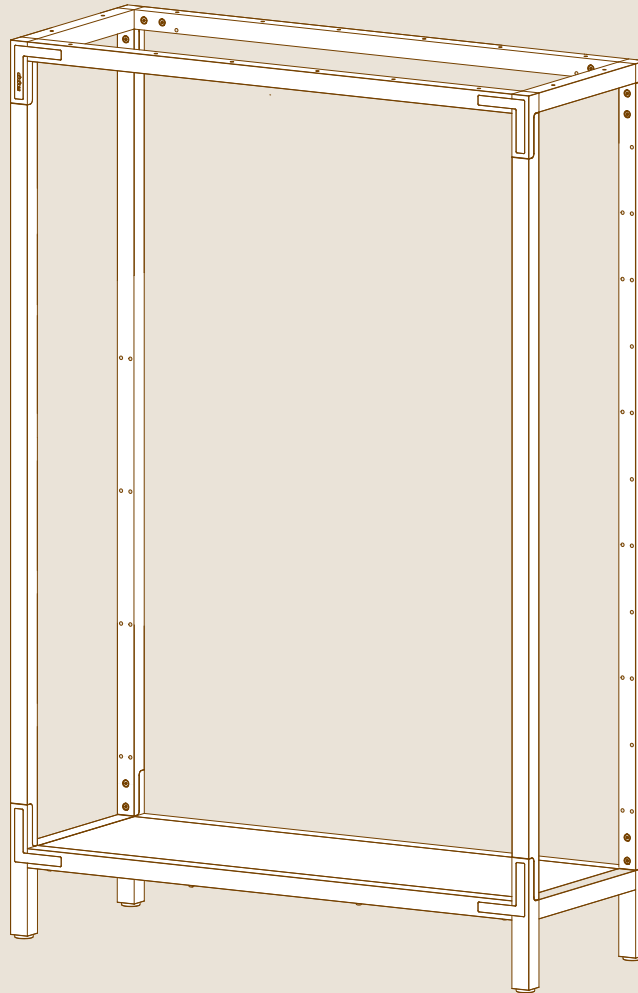
3

Tighten the frame uprights to the top frame



4

Set the Canvas unit upright.



GREAT JOB, YOU'RE GOOD TO GO!