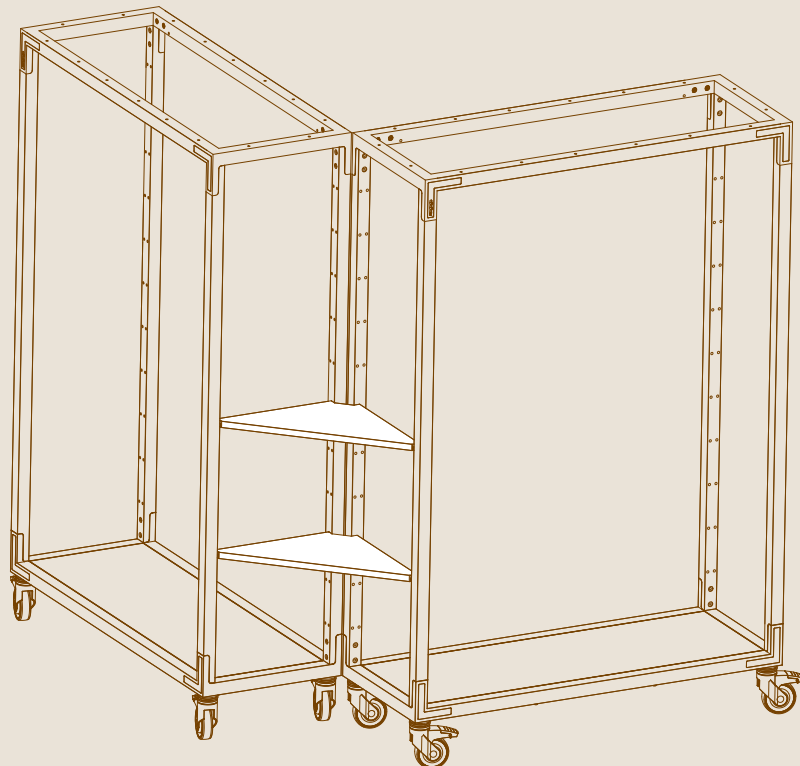


mogogo

Canvas  
SHELVING SYSTEM

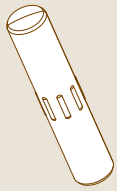
# CORNER SHELF CONNECTOR

## ASSEMBLY INSTRUCTIONS



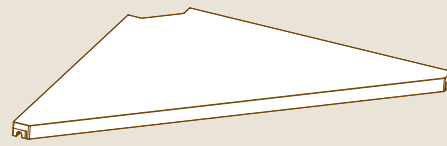
# PARTS

x8



NYLON DOWEL PIN

x2

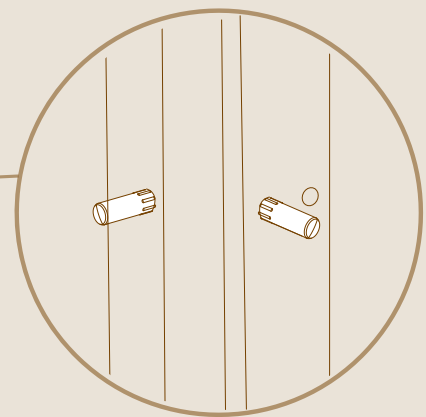
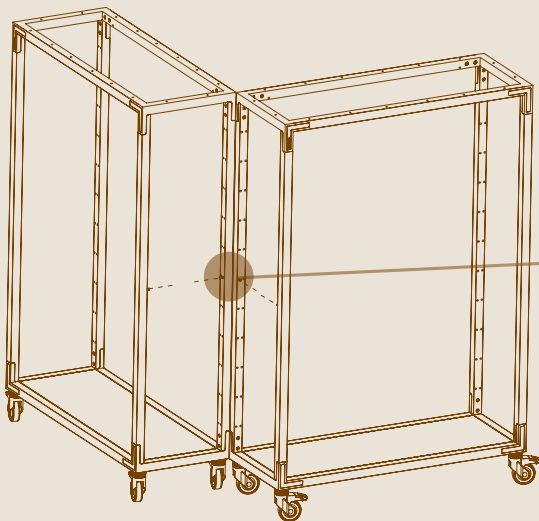


CORNER SHELF CONNECTOR

# ASSEMBLY

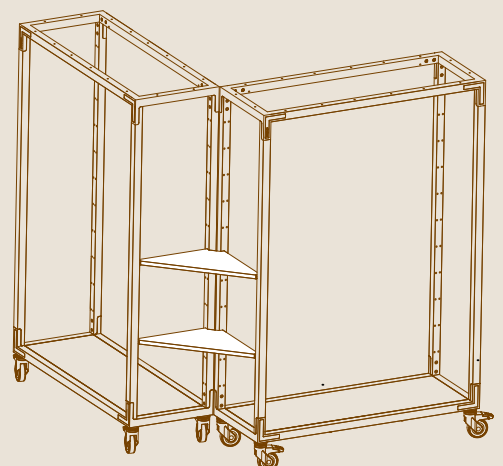
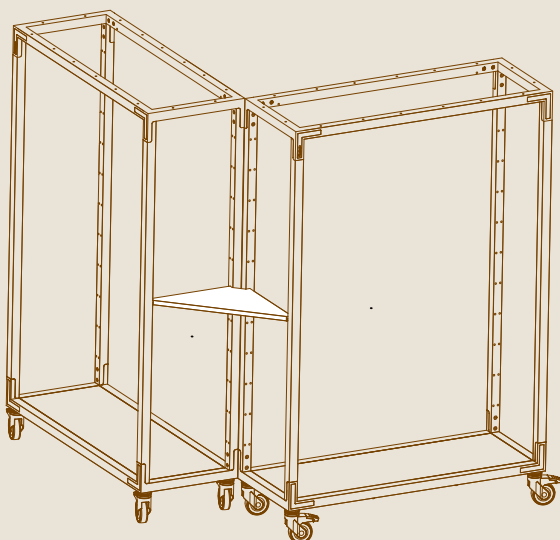
1

Insert 2 pins into each of the outer holes of both units, making sure you place them at the same height.



2

Place and snap the Corner Shelf Connector onto the pins. It is recommended to use both corner shelf connectors at different heights for better stability.



**GREAT JOB, YOU'RE GOOD TO GO!**