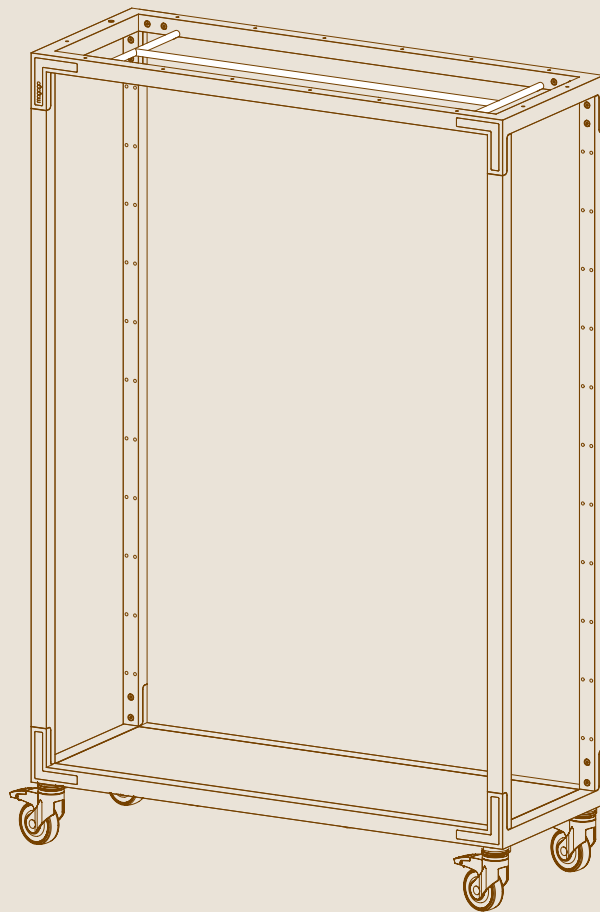




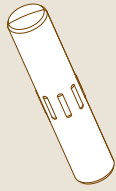
# TOP FRAME HANGER BAR

## ASSEMBLY INSTRUCTIONS



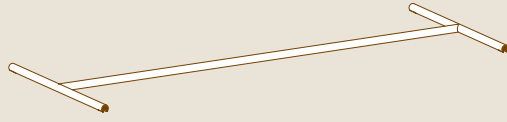
# PARTS

x4



NYLON DOWEL PIN

x1

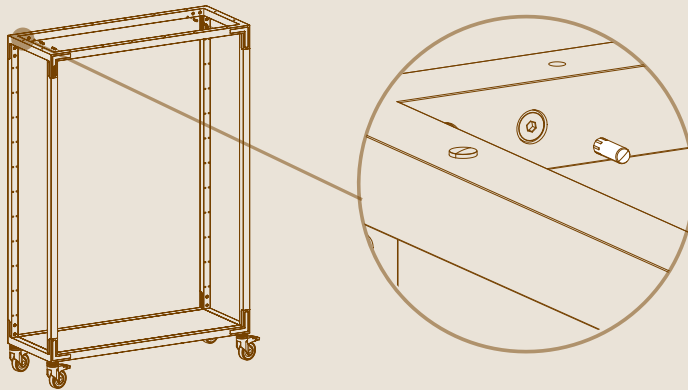


TOP FRAME HANGER BAR

# ASSEMBLY

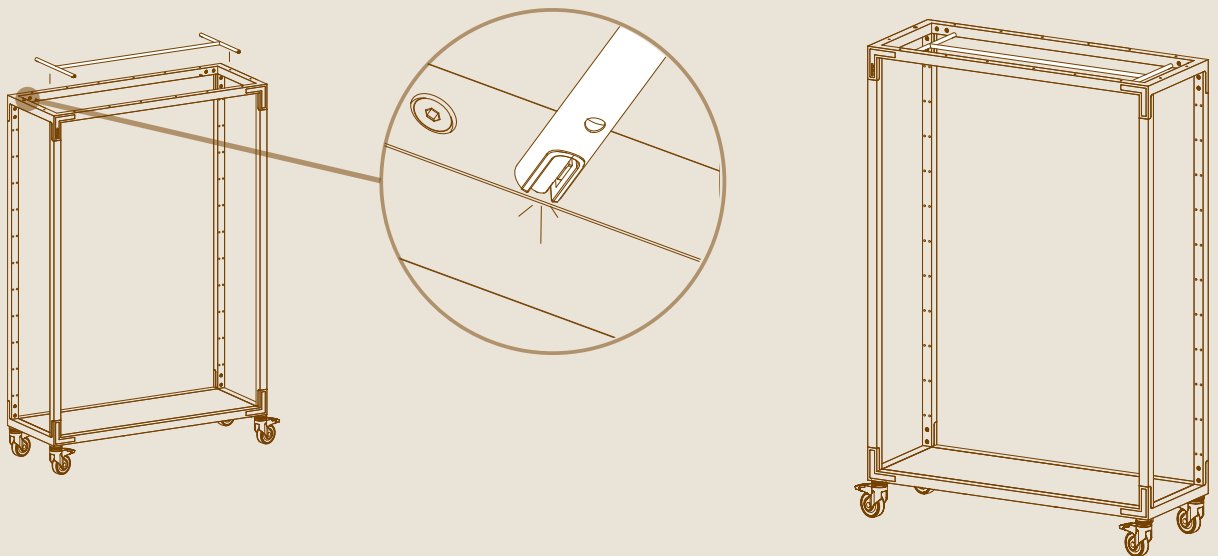
1

Insert 4 pins into the 4 holes located in the top frame.



2

Place and snap the top frame hanger bar on the pins.



**GREAT JOB, YOU'RE GOOD TO GO!**