



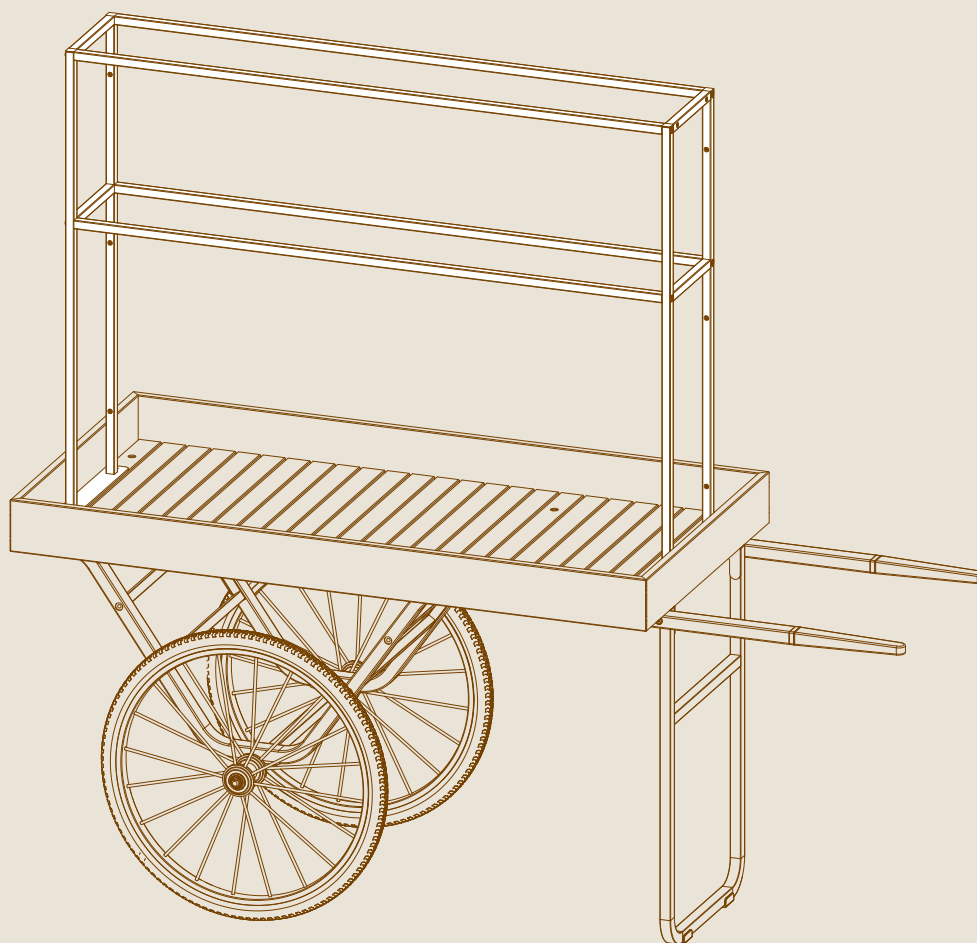
Cantine

DISPLAY CART



SHELF FRAME

ASSEMBLY INSTRUCTIONS



PARTS

X4



SOCKET HEAD
SCREW M6X12 | 0.4"

X8



SOCKET HEAD
SCREW M6-1X30 | 1.2"

X1



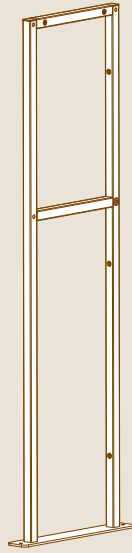
SCREWDRIVER BIT
FOR M6 SCREWS

X1



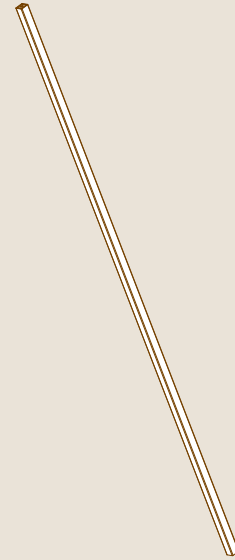
ALLEN KEY FOR
M6 SCREWS

X2



SIDE FRAME

X4



BORDER BAR

ASSEMBLY

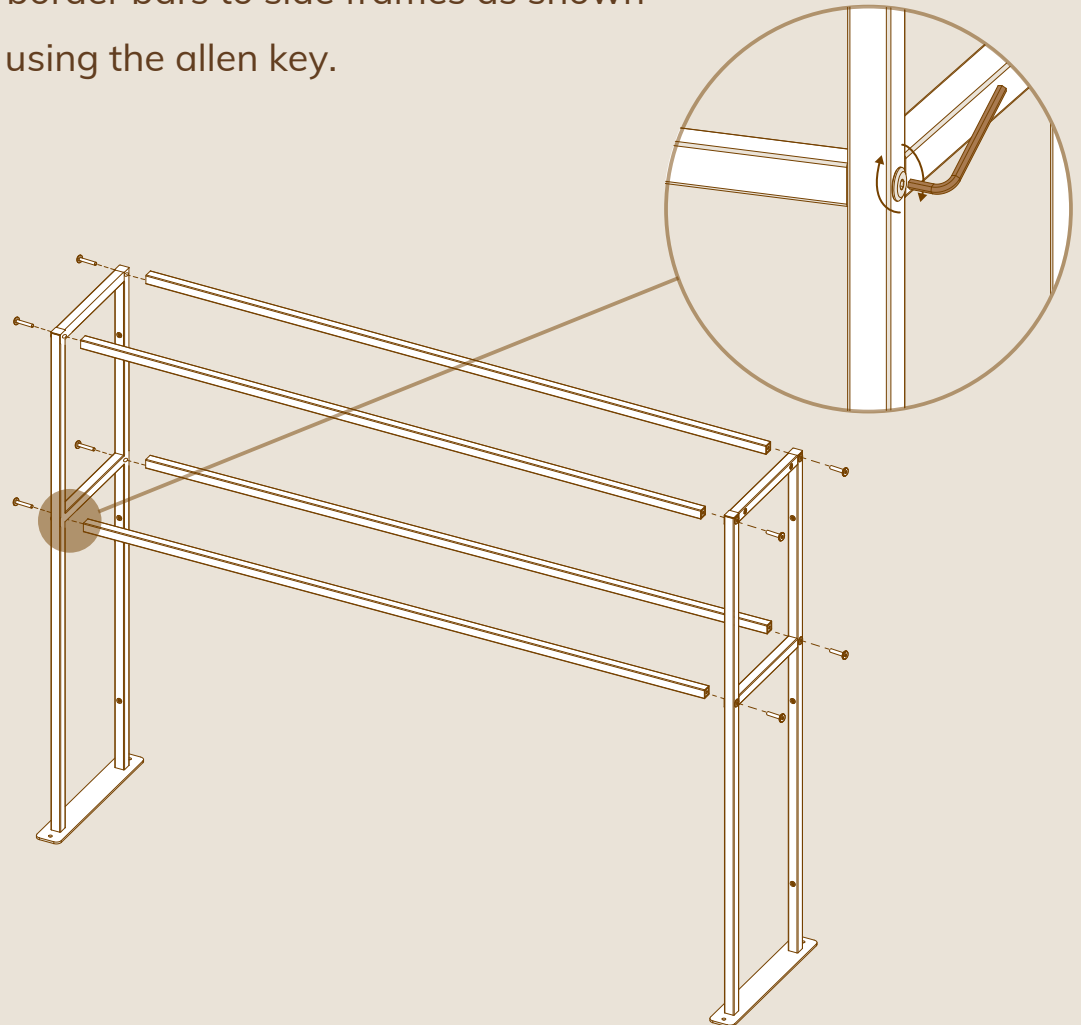
1

Place both of the side frames in front of each other.
Attach the border bars to side frames as shown
and screw using the allen key.

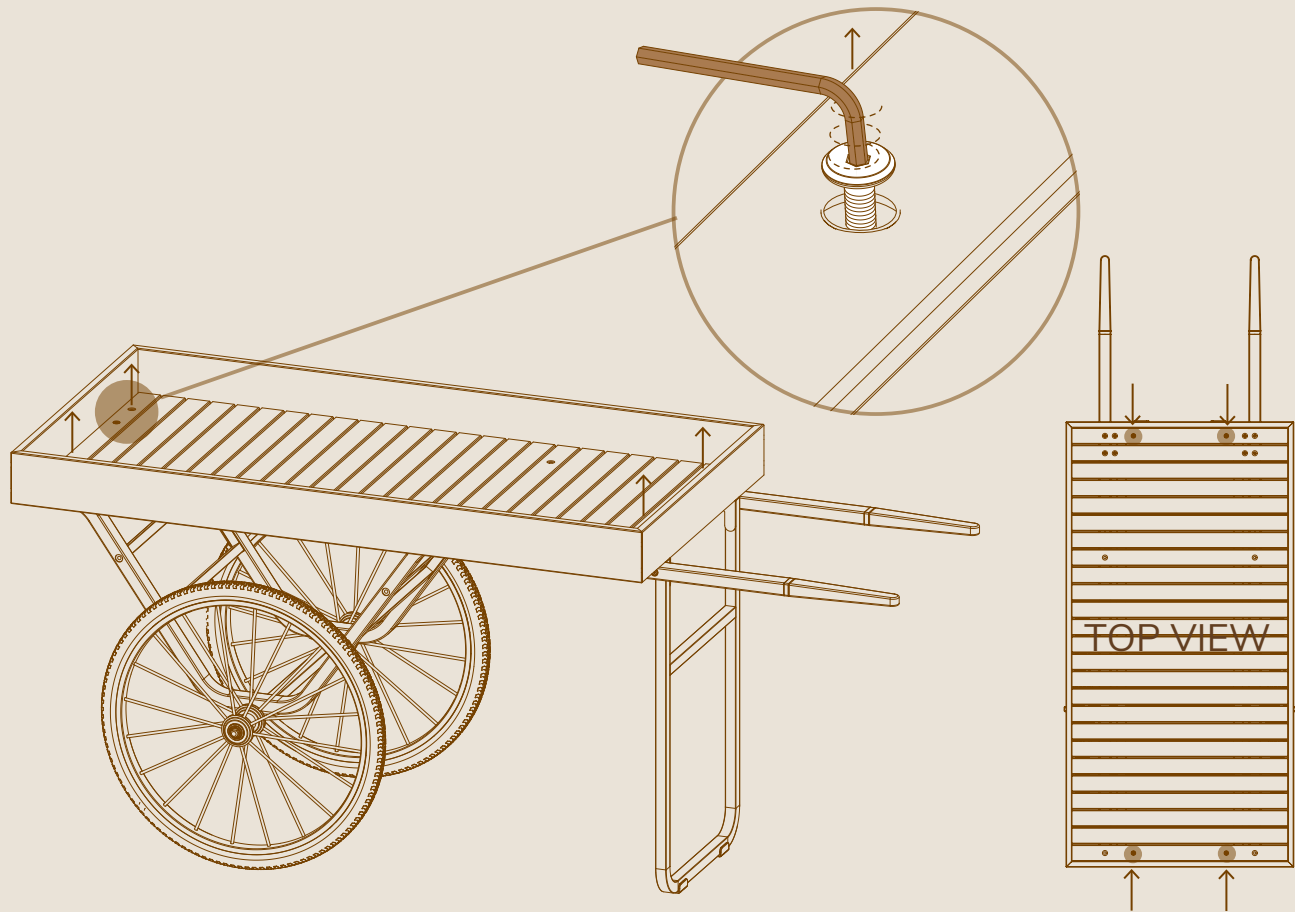
X8



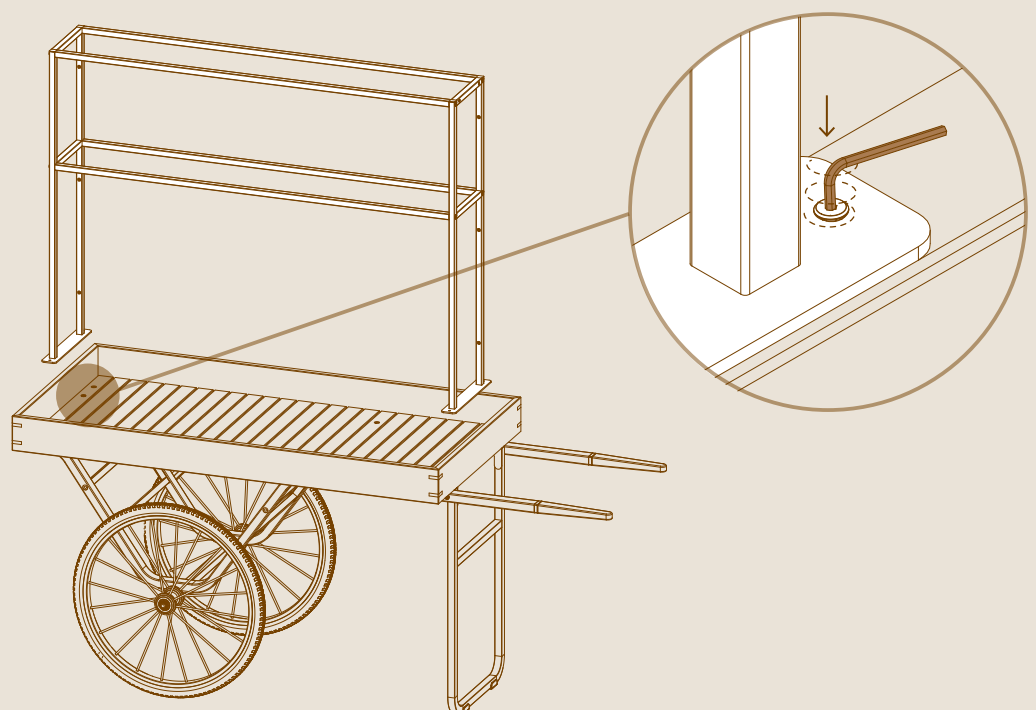
SOCKET HEAD
SCREW M6-1X30

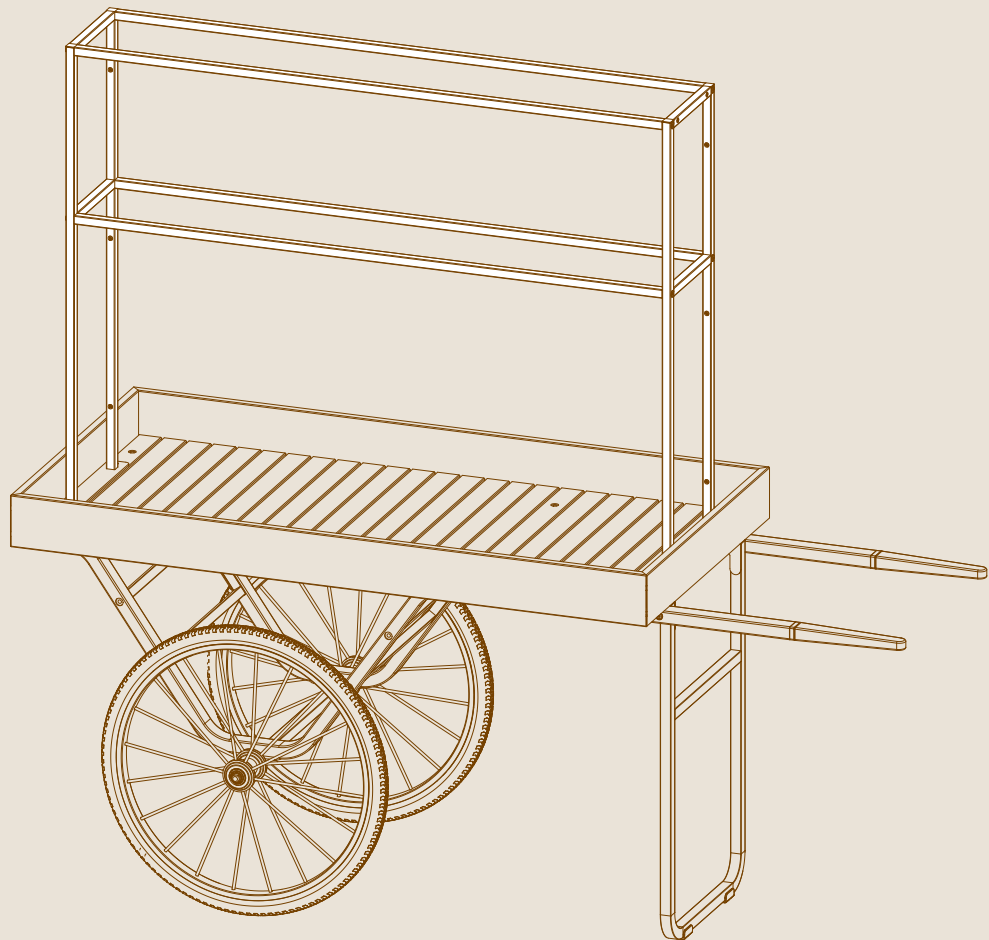


- 2** Remove the 4 existing screws (LOW SOCKET HEAD SCREW M6X12 | 0.4") and use them to attach the shelf frame.



- 3** Place the shelving unit in the cart where the screws were. Use the screws from stage 2 and tighten the shelving unit to the box





USE THE METAL PINS TO ATTACH SHELVES

