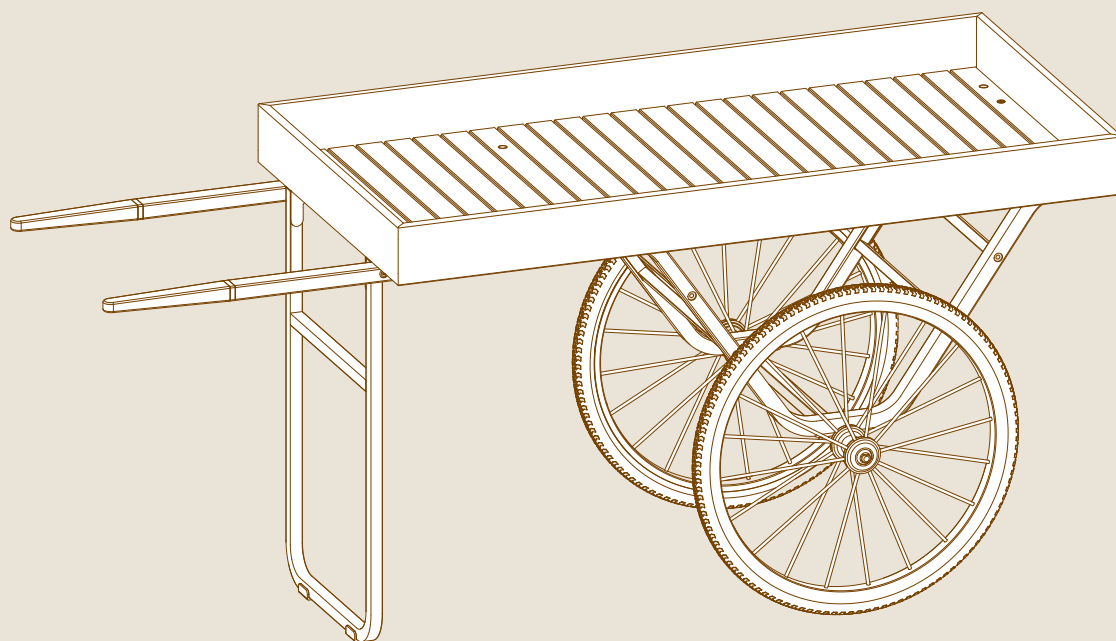


mogogo

Cantine
DISPLAY CART

STANDARD CART

ASSEMBLY INSTRUCTIONS



PARTS

X4



HEX SCREW
M8 1X20 | 0.8"

X4



SOCKET HEAD SCREW
M6-1X35 | 1.4"

X16



SOCKET HEAD SCREW
M6-1X40 | 1.6"

X4



SOCKET HEAD SCREW
M6-1X50 | 2"

X1



MULTI-TOOL

X1



SCREWDRIVER BIT
FOR M6 SCREWS

X1



ALLEN KEY FOR
M6 SCREWS

X2



WHEEL NUT
M12X20 | 0.5"

X4



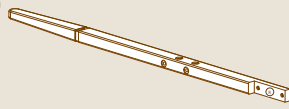
SOCKET HEAD SCREW
M6-1X30 | 1.2"

X1



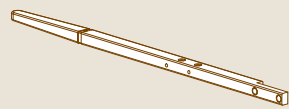
AXLE

X1



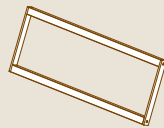
RIGHT HANDLE

X1



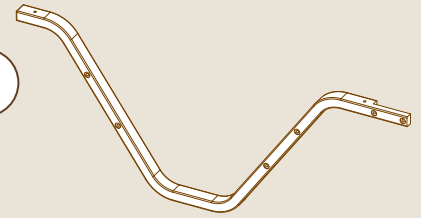
RIGHT HANDLE

X2



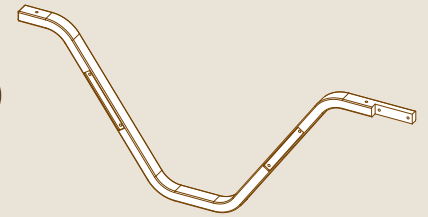
CART STIFFENER

X1



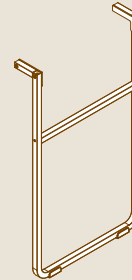
LEFT HAND BASE FRAME

X1



RIGHT HAND BASE FRAME

X1



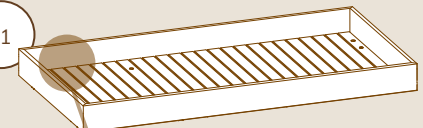
METAL LEG

X2



26 INCH WHEEL

X1



CART BODY

X4

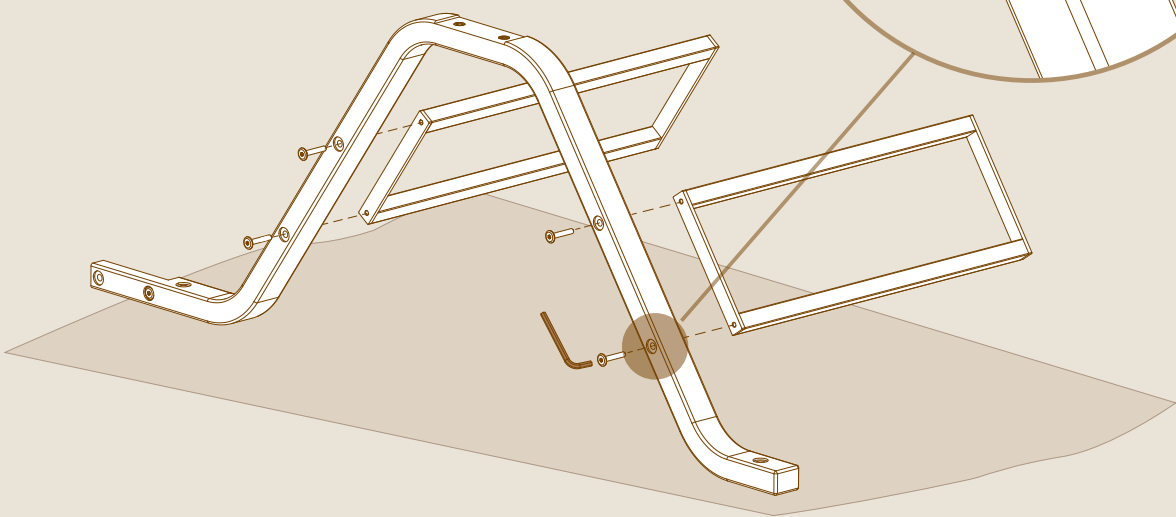
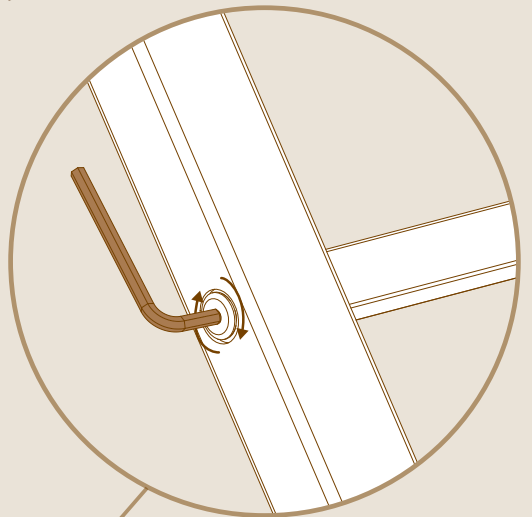
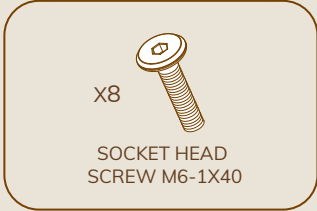
ULTRA SOCKET
HEAD SCREW M6 1X12 | 0.6"



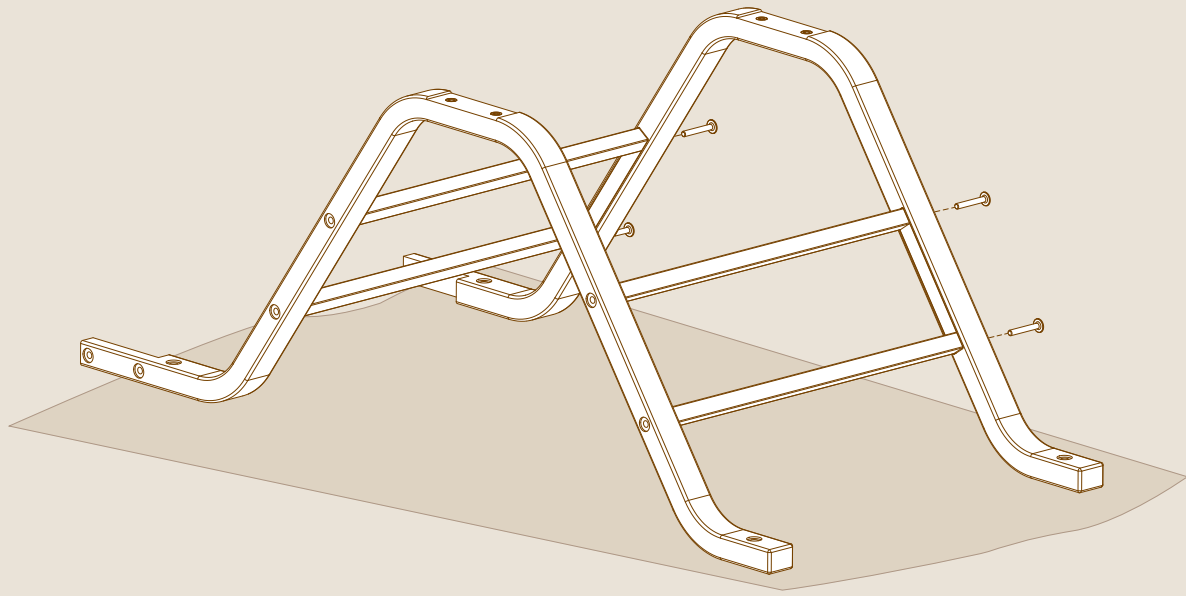
Arrived with the standard cart
DO NOT REMOVE
Designed for shelving unit

1

Set the left hand Base Frame upright and attach the cart stiffener. Don't tighten all the way.

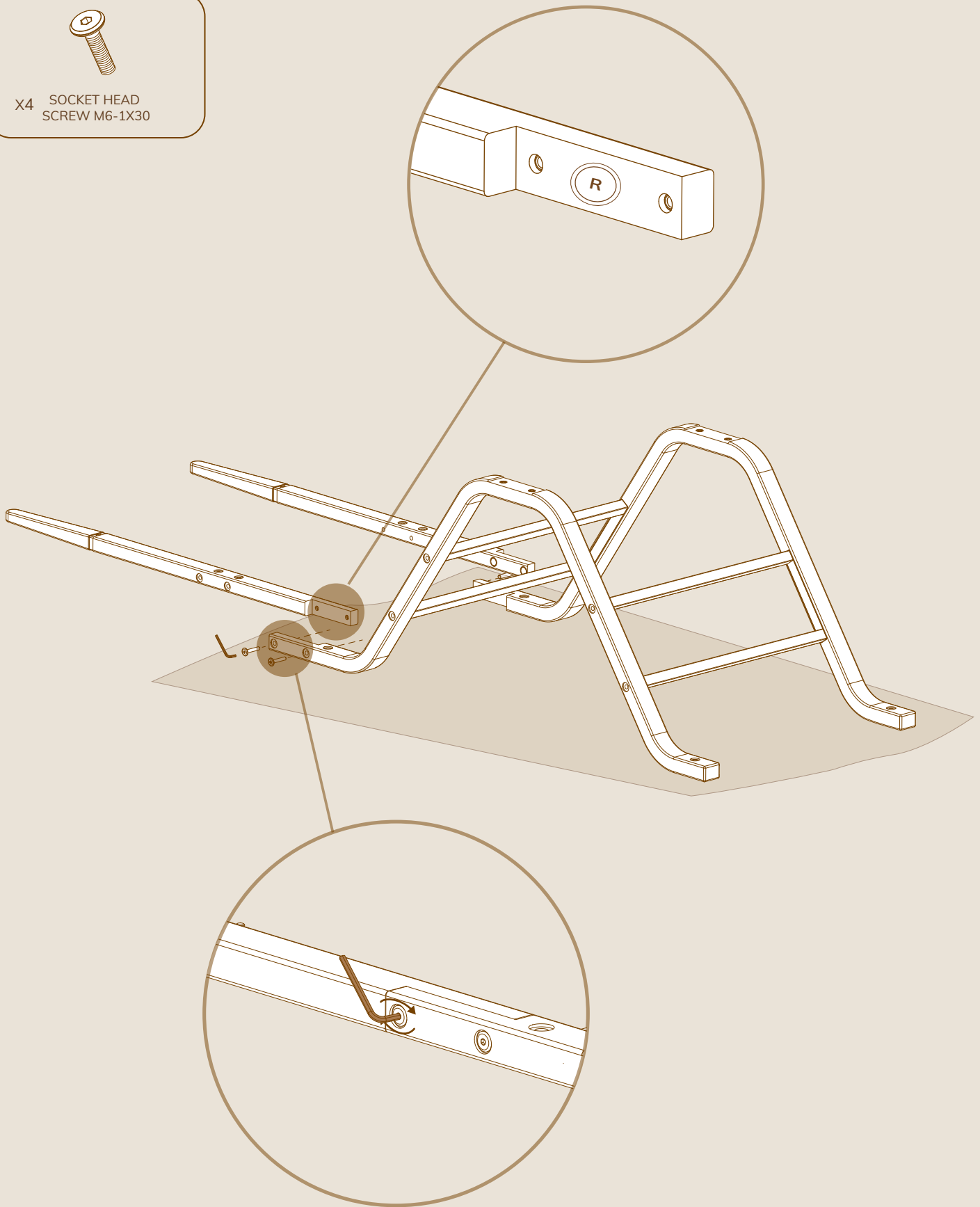


Attached Right Hand Base frame



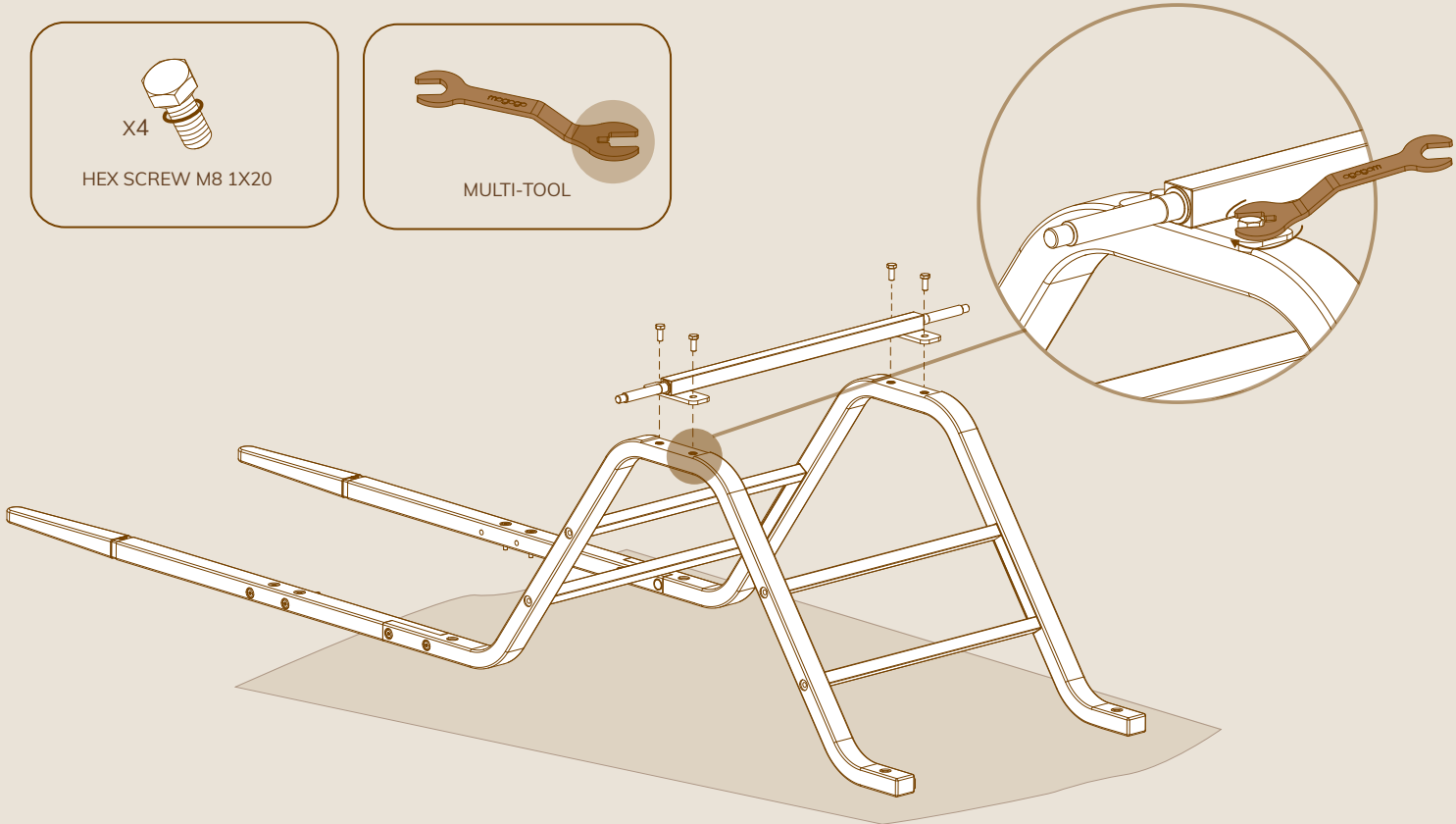
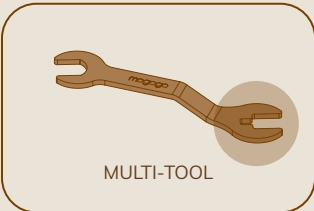
2

Attach both handles. Don't tighten all the way.



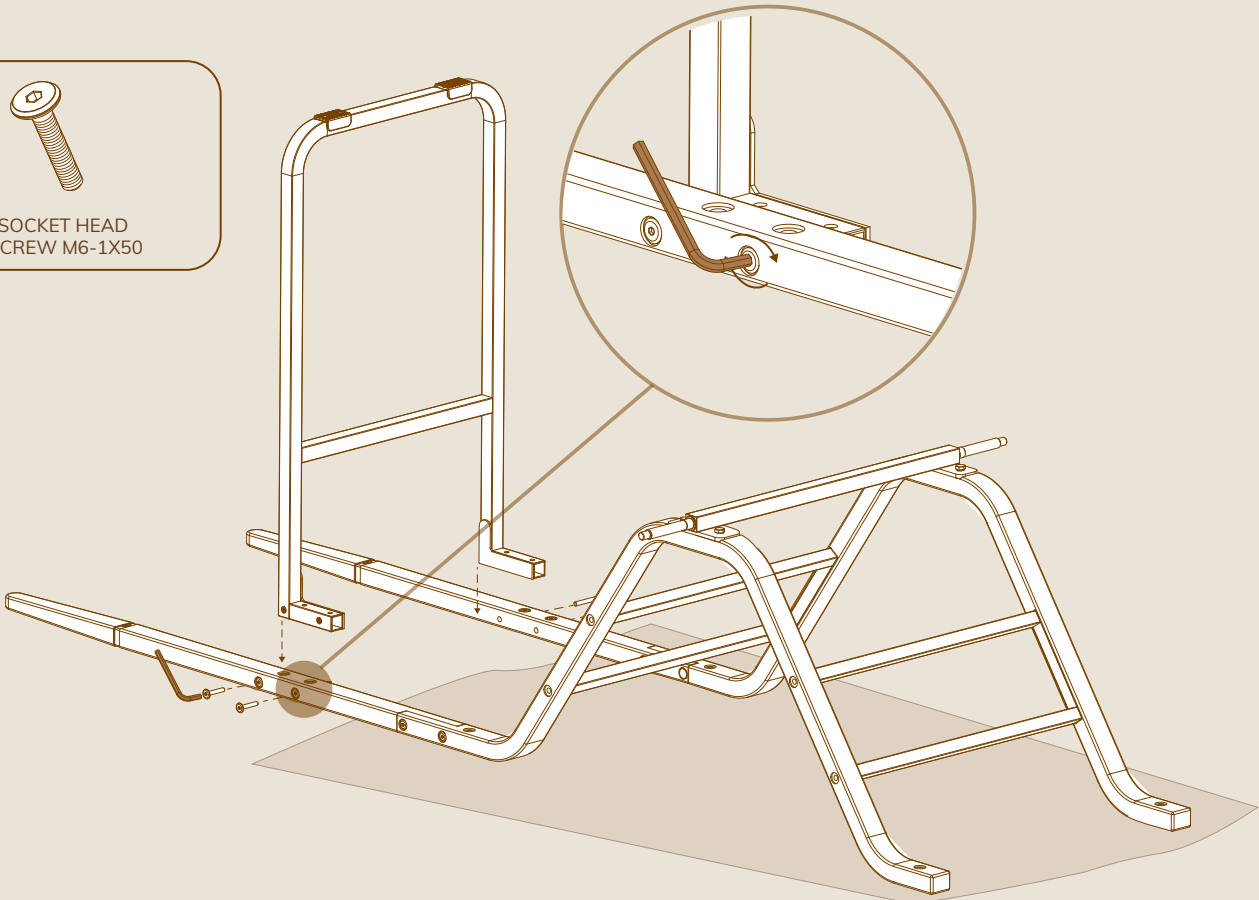
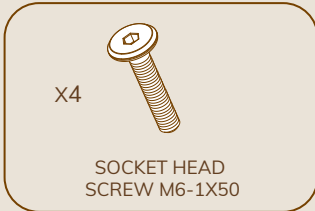
3

Attach the axle to the base frame. Don't tighten all the way.



4

Attach the metal leg to both handles and **tighten completely**




5

Place the base frame on the underside of the cart body with handles on the end with the green markings. Follow the recommended tightening order below.

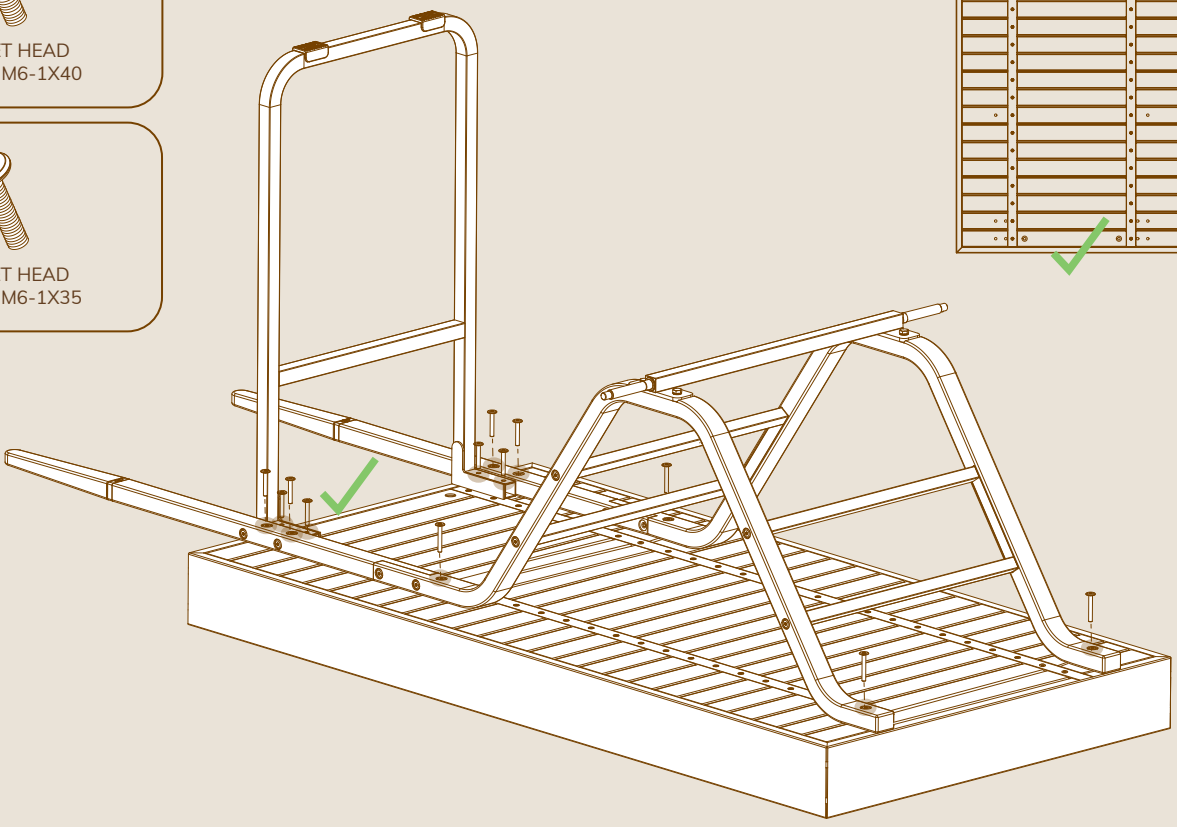
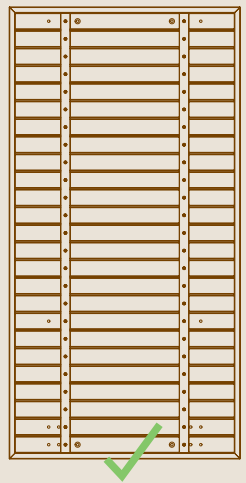
X8
SOCKET HEAD SCREW M6-1X40



X4
SOCKET HEAD SCREW M6-1X35

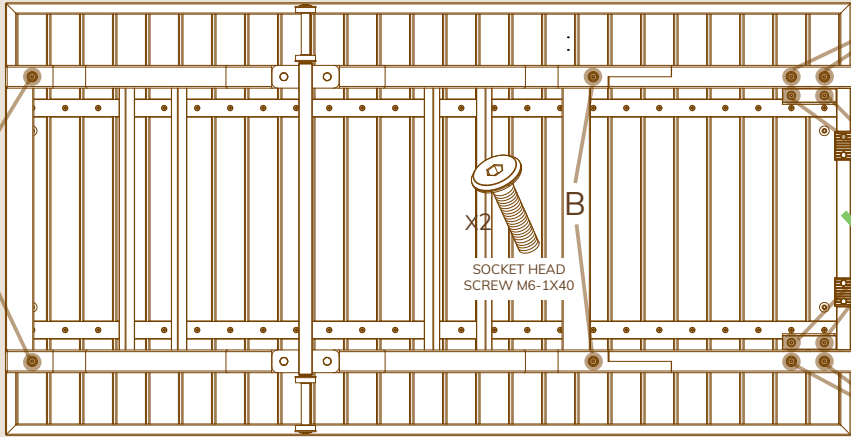


BOTTOM PACKAGING BOX



Recommended to screw in this order (from A to D)

*Don't tight too hard, keep it a little loose



A X2
SOCKET HEAD SCREW M6-1X40

B X2
SOCKET HEAD SCREW M6-1X40

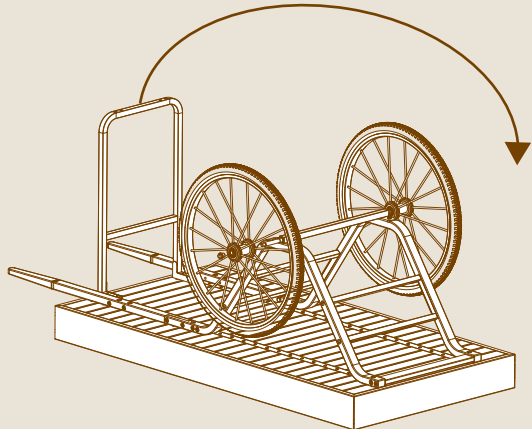
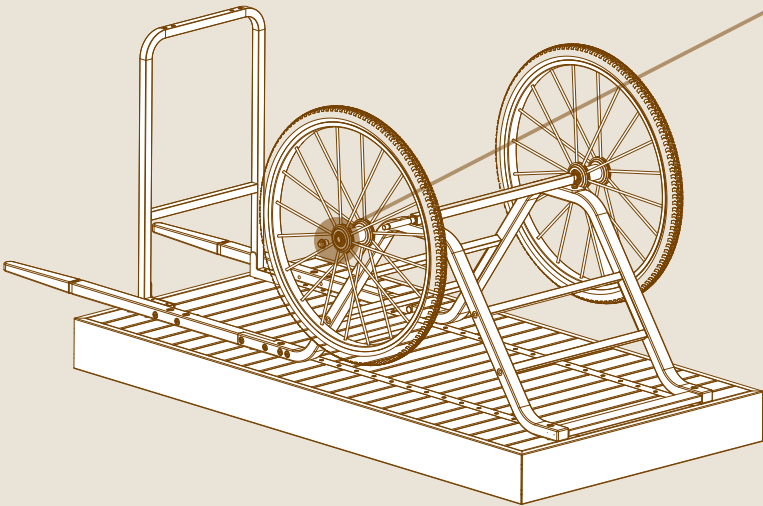
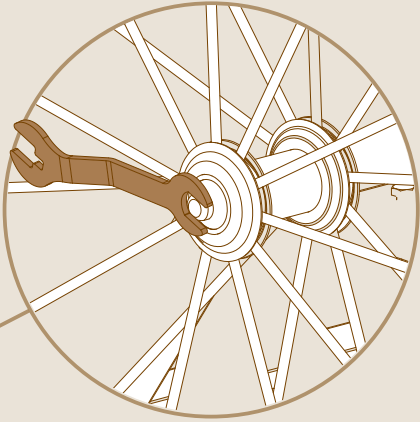
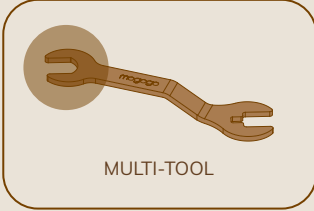
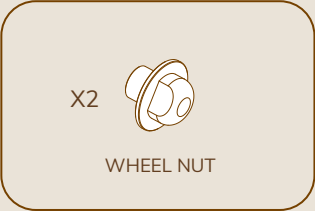
C X2
SOCKET HEAD SCREW M6-1X40

D X4
SOCKET HEAD SCREW M6-1X35

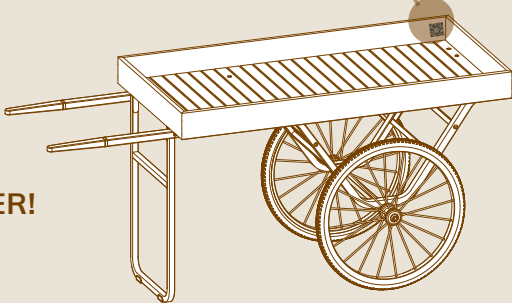
6

Place both of the wheels on the axle and tighten using the flat wrench

Tighten all screws So far



TURN THE CART OVER!



WELL DONE!

