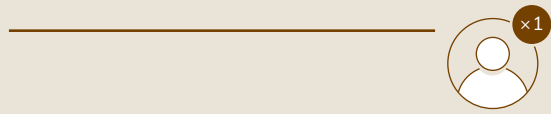




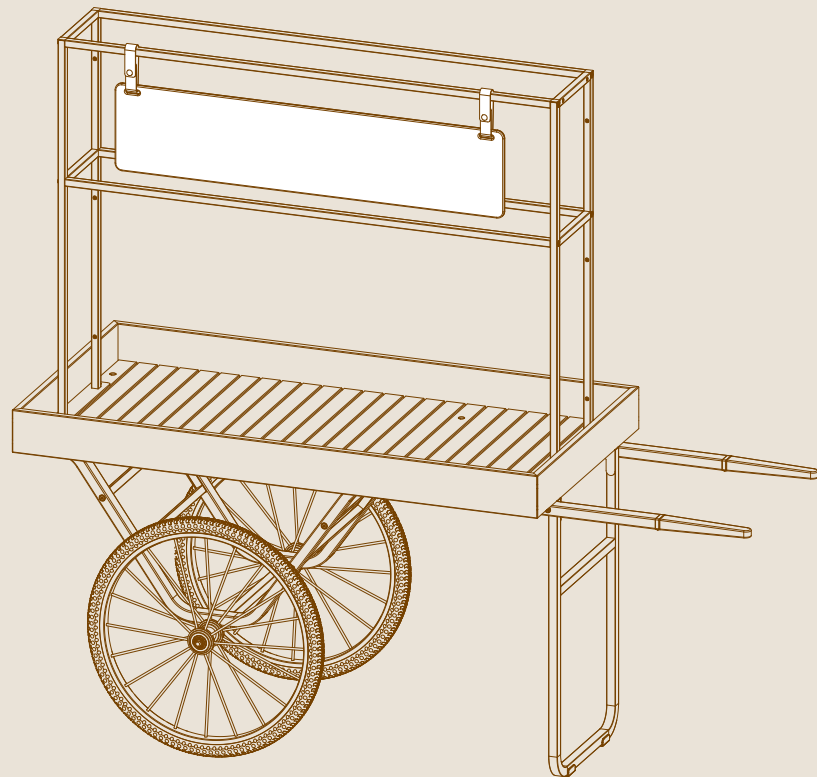
Cantine

DISPLAY CART



SIGN

ASSEMBLY INSTRUCTIONS



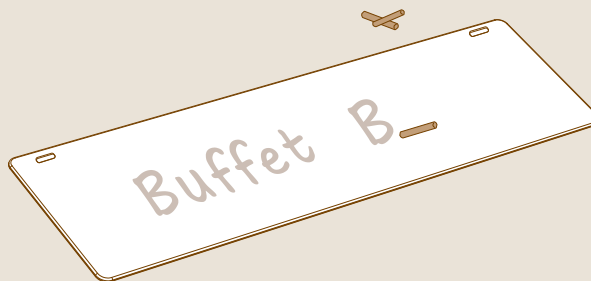
PARTS

X2



LEATHER STRAP

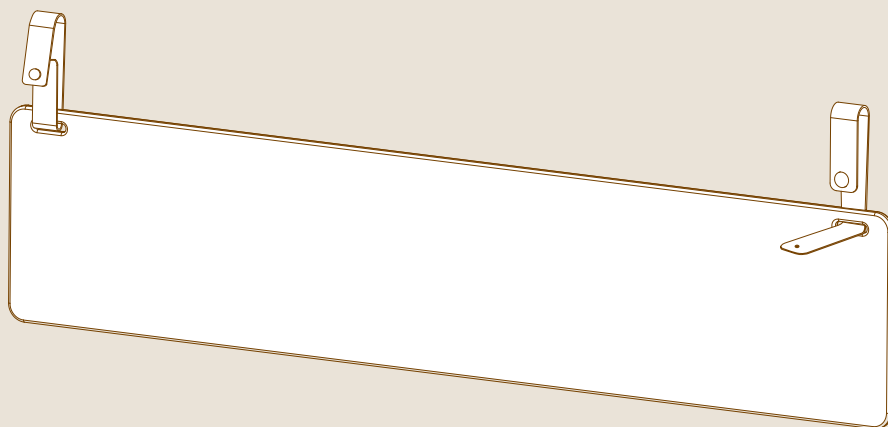
X1



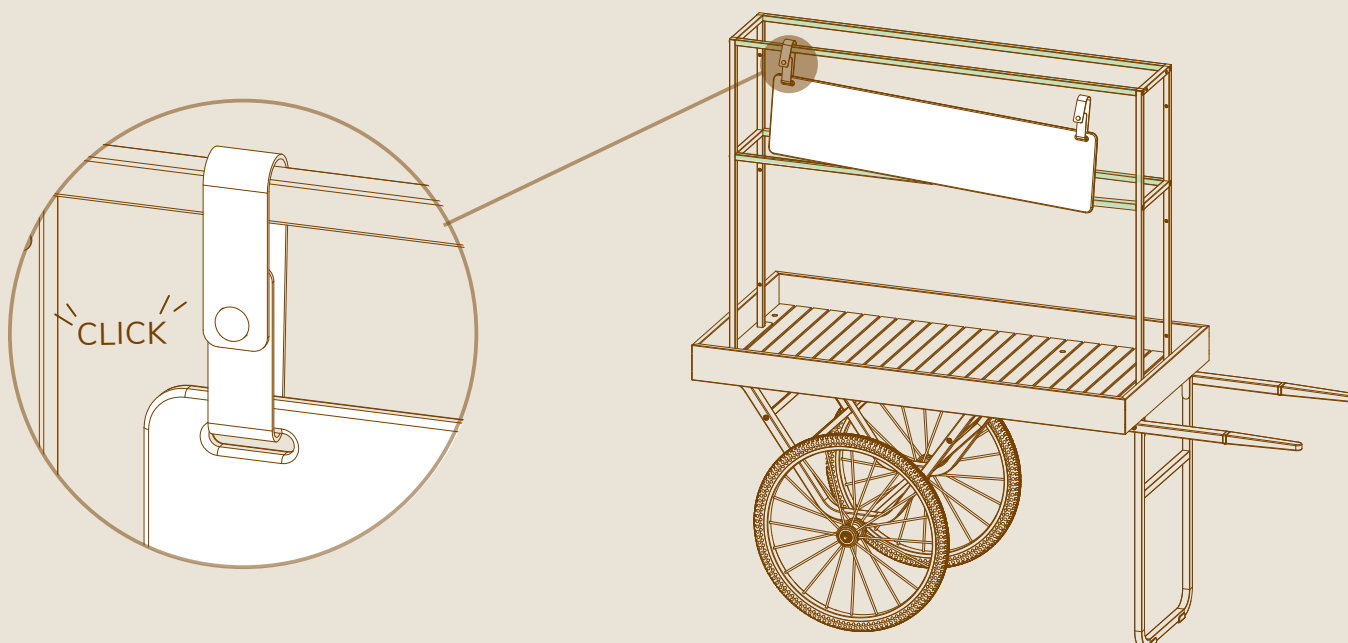
SIGN
(THE DESIRED TEXT SHOULD BE WRITTEN DOWN FIRST)

ASSEMBLY

- 1 Connect the leather straps to the sign and hang in the desired position (No need to close them for now)



- 2 The sign should be placed at your preferred location on the frame



GREAT JOB, YOUR GOOD TO GO!