



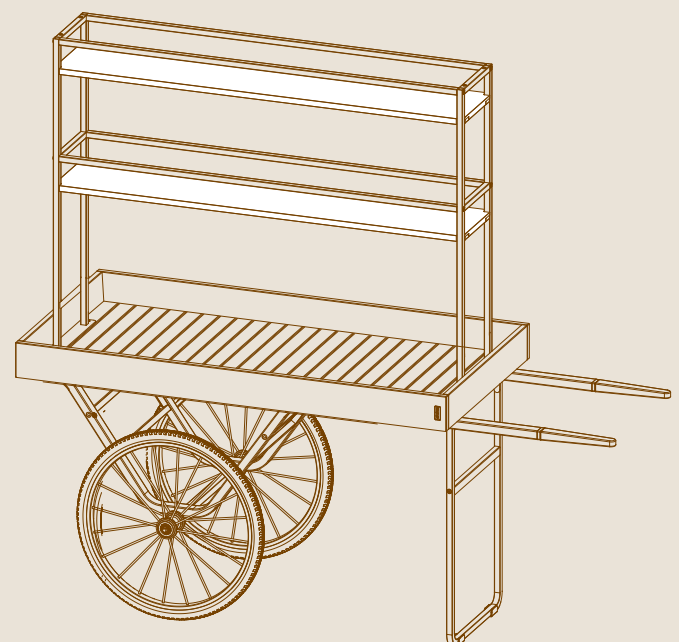
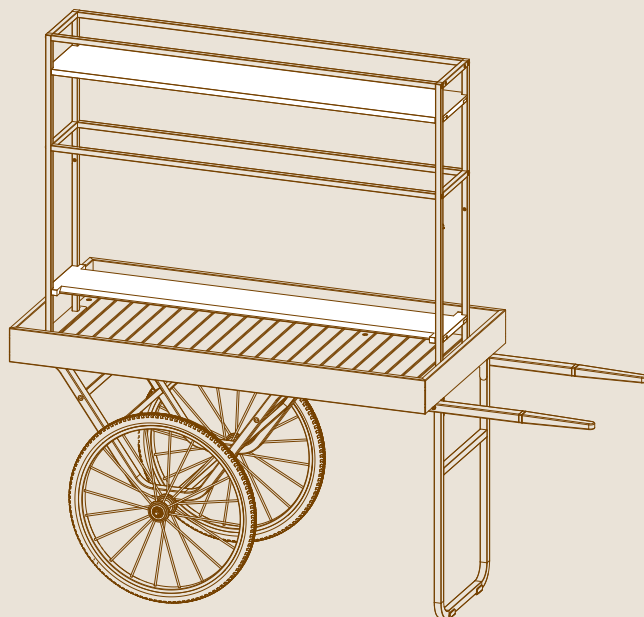
Cantine

DISPLAY CART



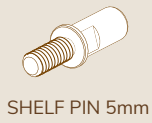
SHELF / CRATE SUPPORT SHELF

ASSEMBLY INSTRUCTIONS



PARTS

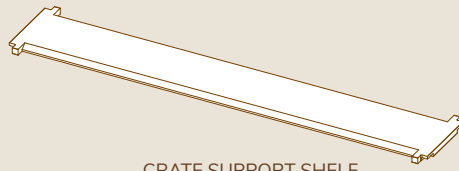
X4



X1

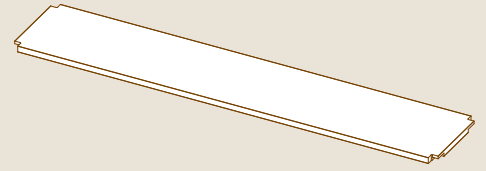


X1



OR

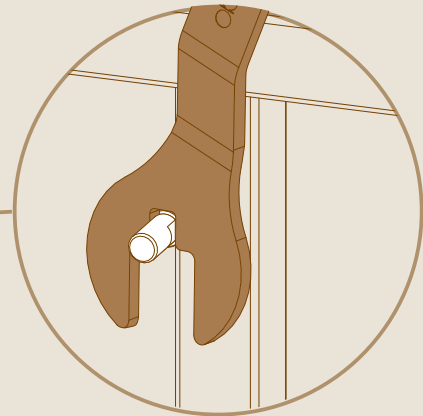
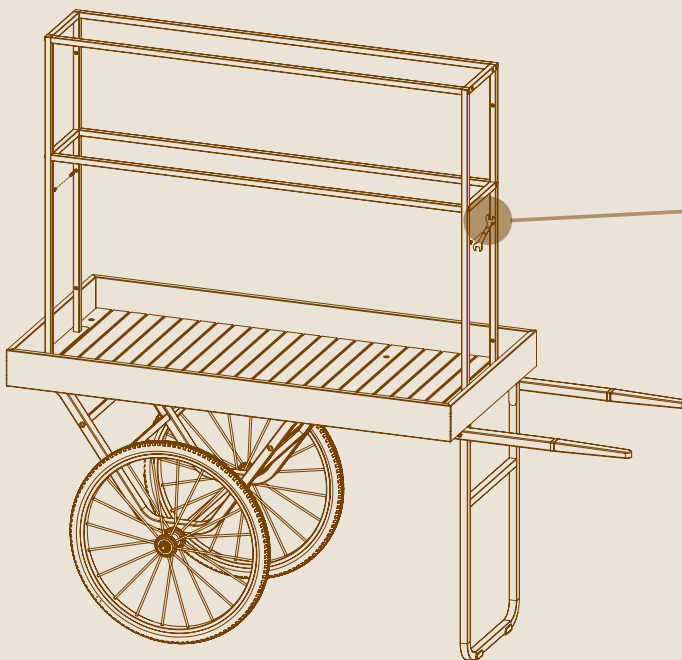
X1



ASSEMBLY

1

Insert 4 pins into the frame's inner holes using the multi-tool.



2

Place and snap the shelf on the pins.

