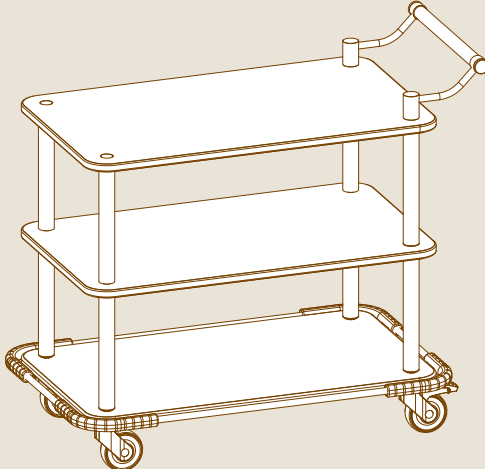
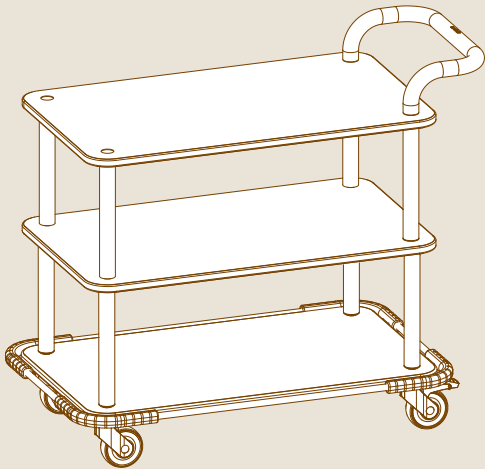
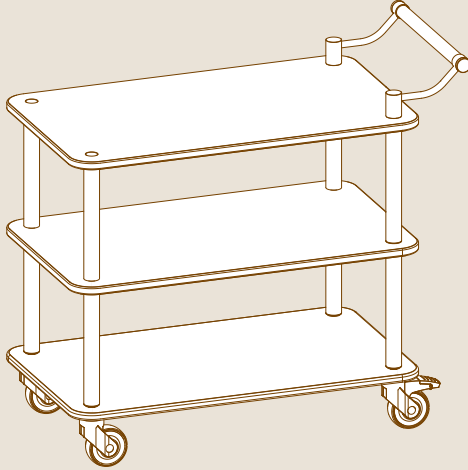
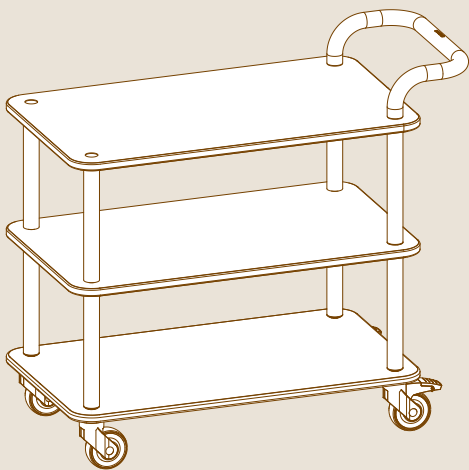


mogogo

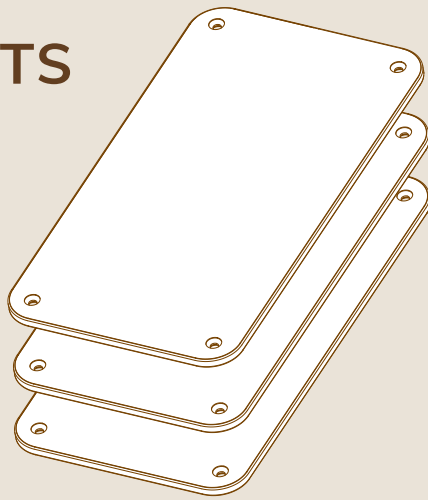
Rollin

SERVICE CARTS

**SERVICE CART**  
ASSEMBLY INSTRUCTIONS

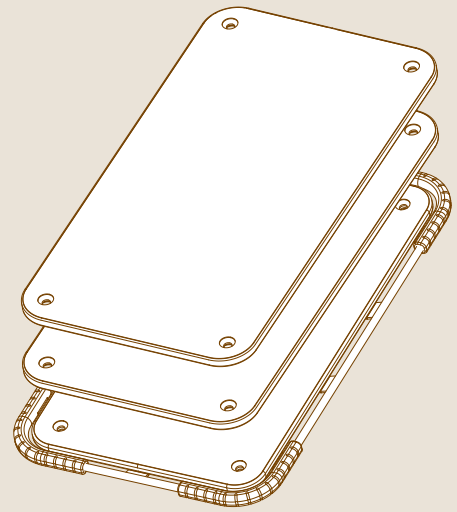


# PARTS

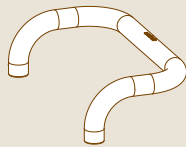


3X BHP PANEL  
L35.4" W20.8" | L90cm W53cm

OR

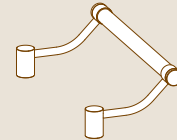


2X BHP PANEL  
L35.4" W20.8" | L90cm W53cm  
1XBHP PANEL WITH BUMPER SYSTEM  
L38.5" W24" | L97.5cm W60.5cm

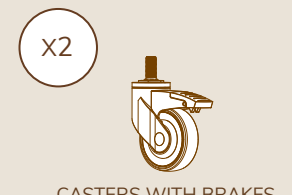
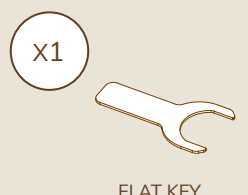
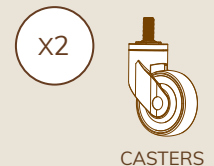
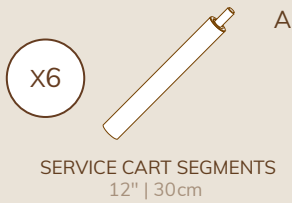


1X GENUINE LEATHER HANDLE

OR

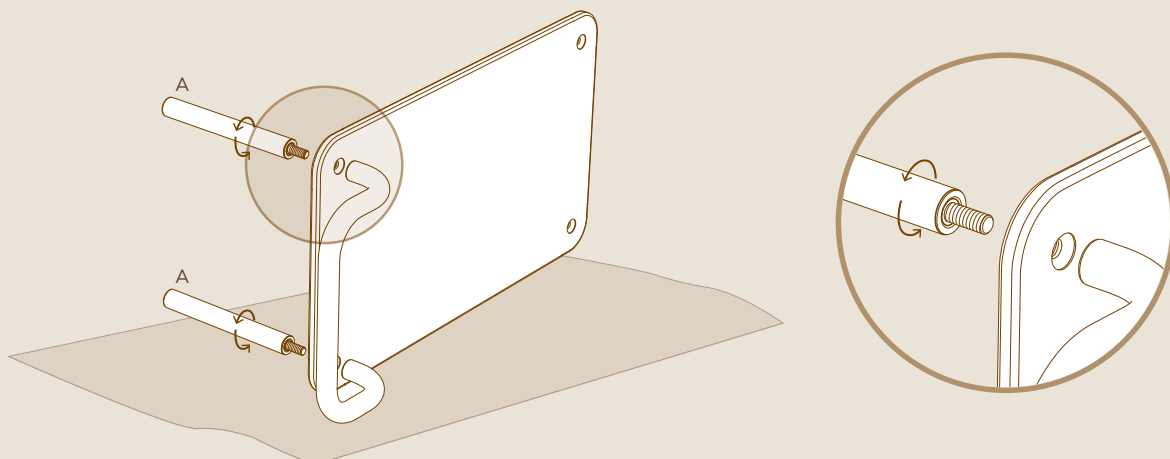


1X STAINLESS STEEL HANDLE



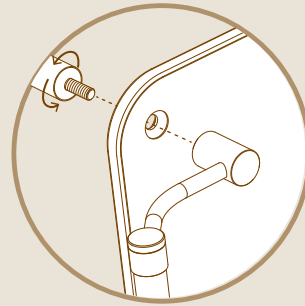
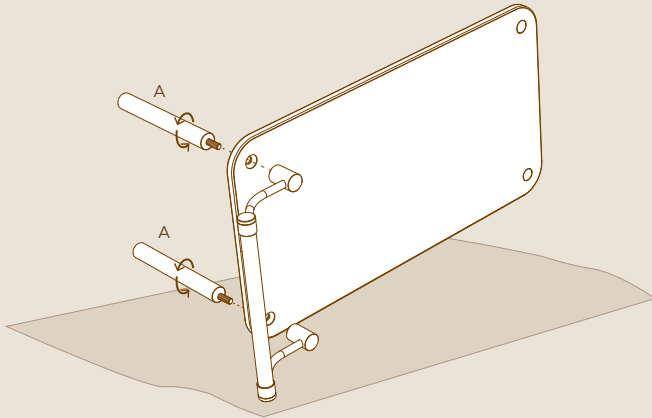
**1** Start by turning one panel on its side  
Screw the segments and tight the leather handle

\*If your cart includes stainless steel handle instead of a leather handle it should look like drawing 1.1

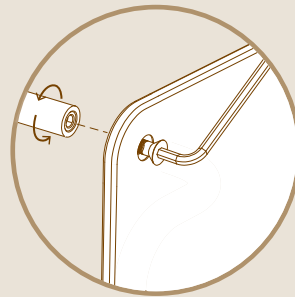
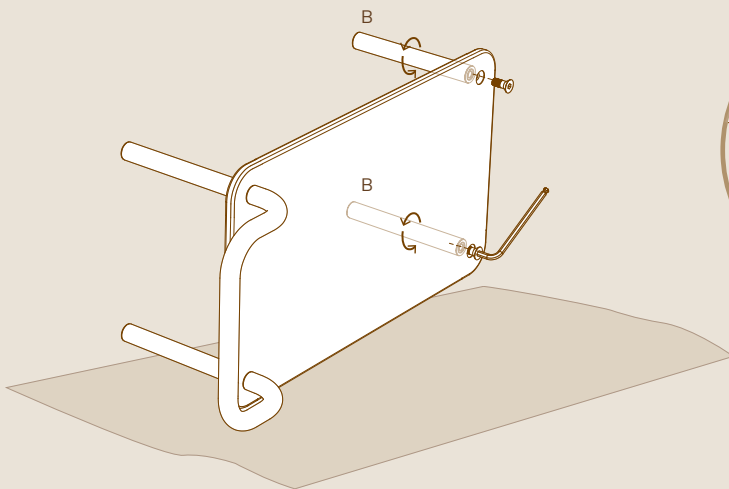


1.1

Screw the segments and tight the Stainless steel handle

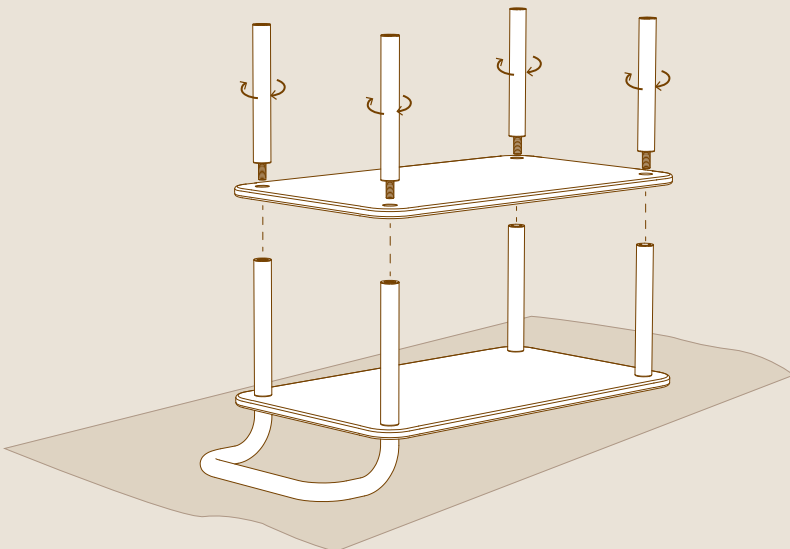


2



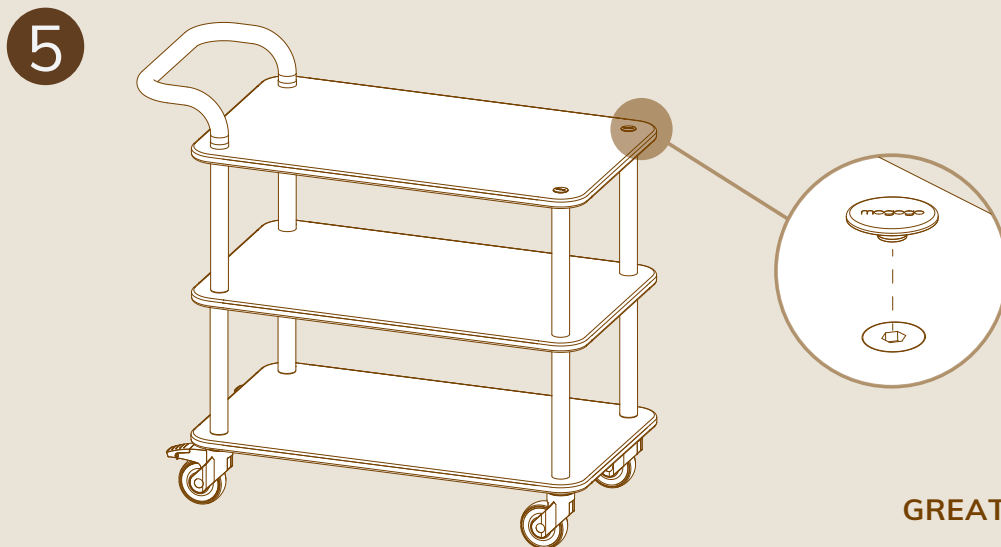
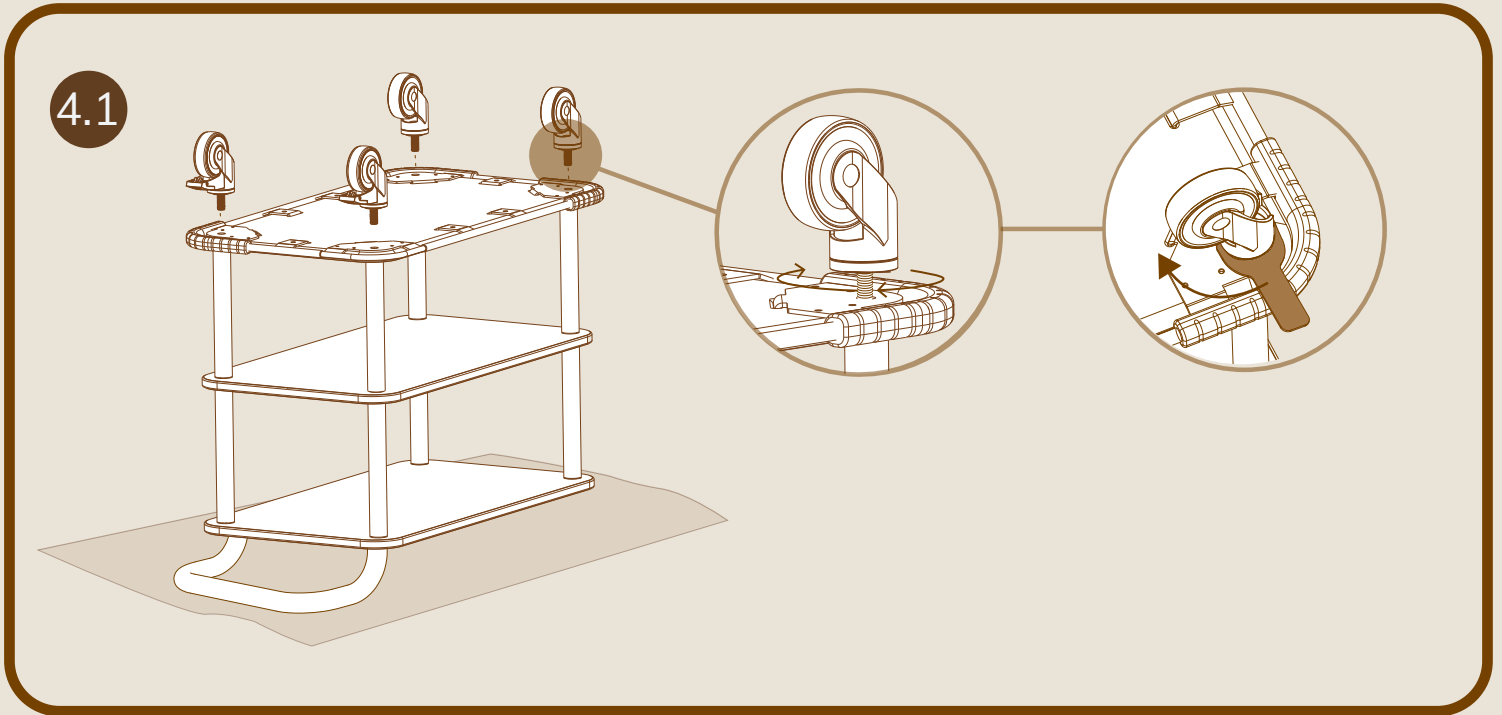
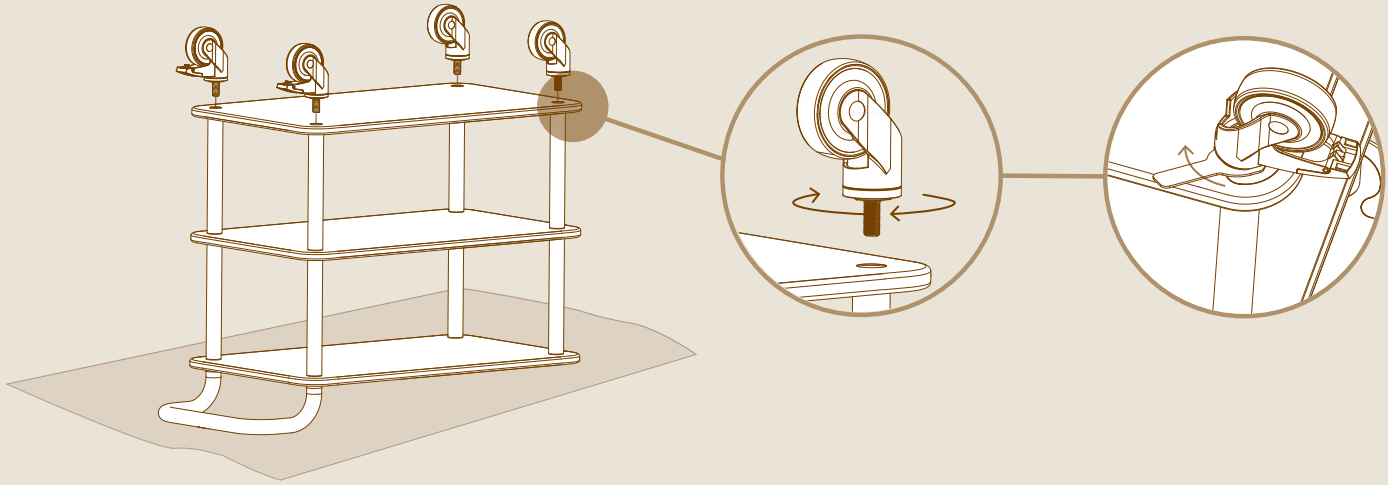
3

Turn the cart upside down.



**4** Screw the casters on and tighten them using the flat key. Casters with brakes should be aligned to the handle.

\*If your cart includes a bumper system it should look like drawing 4.1



**GREAT JOB, YOUR GOOD TO GO!**