

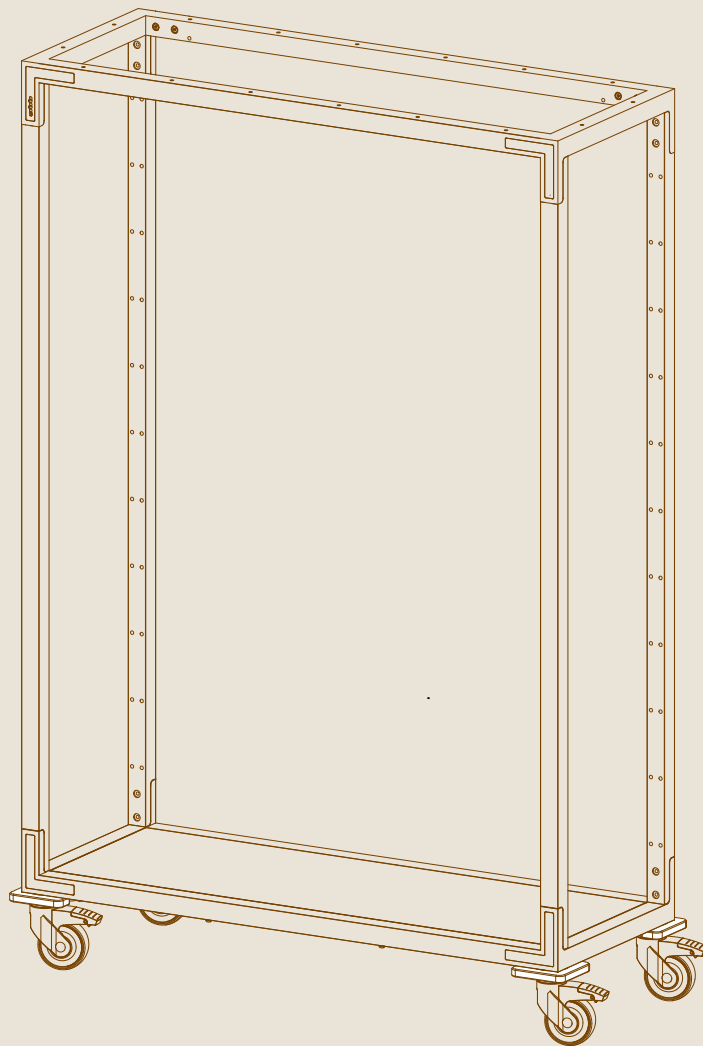


Canvas

SHELVING SYSTEM

BUMPERS

ASSEMBLY INSTRUCTIONS



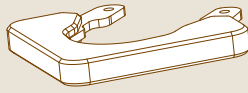
PARTS

X8



M6 SCREW

X4

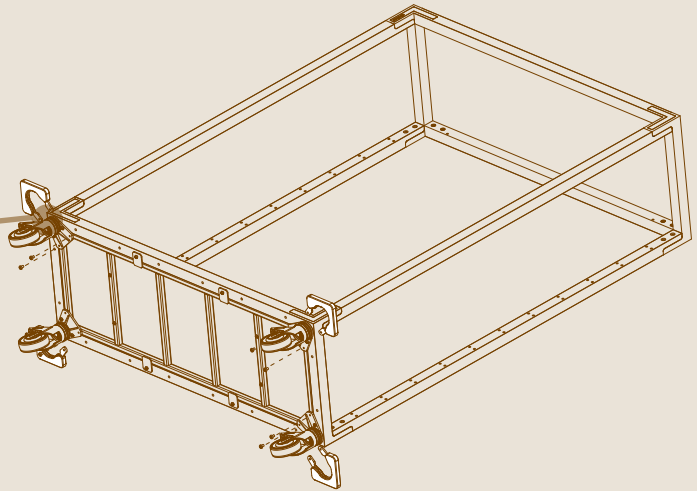
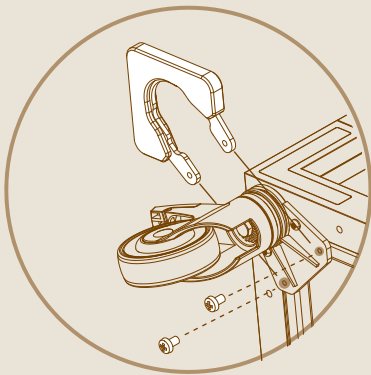


BUMPERS

ASSEMBLY

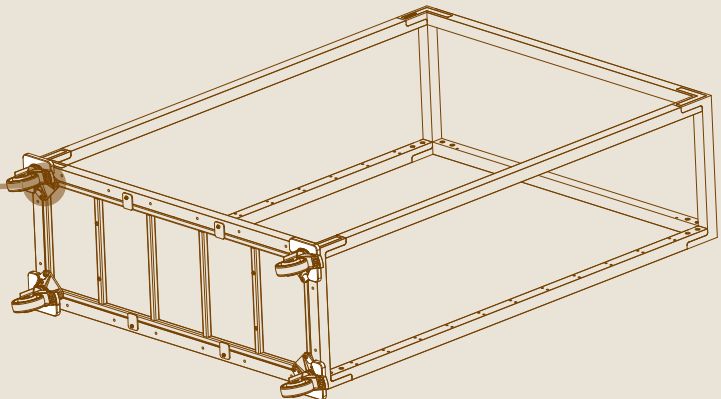
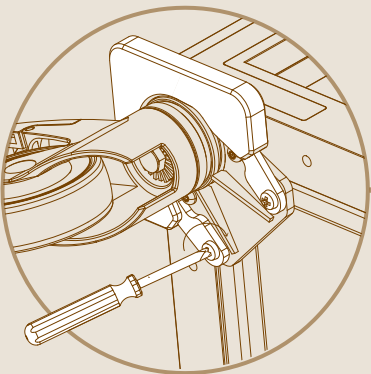
1

Slip each Bumper on the designated slot on the casters.



2

Use 2 screws to secure the bumper onto the base frame.



GREAT JOB, YOUR GOOD TO GO!