

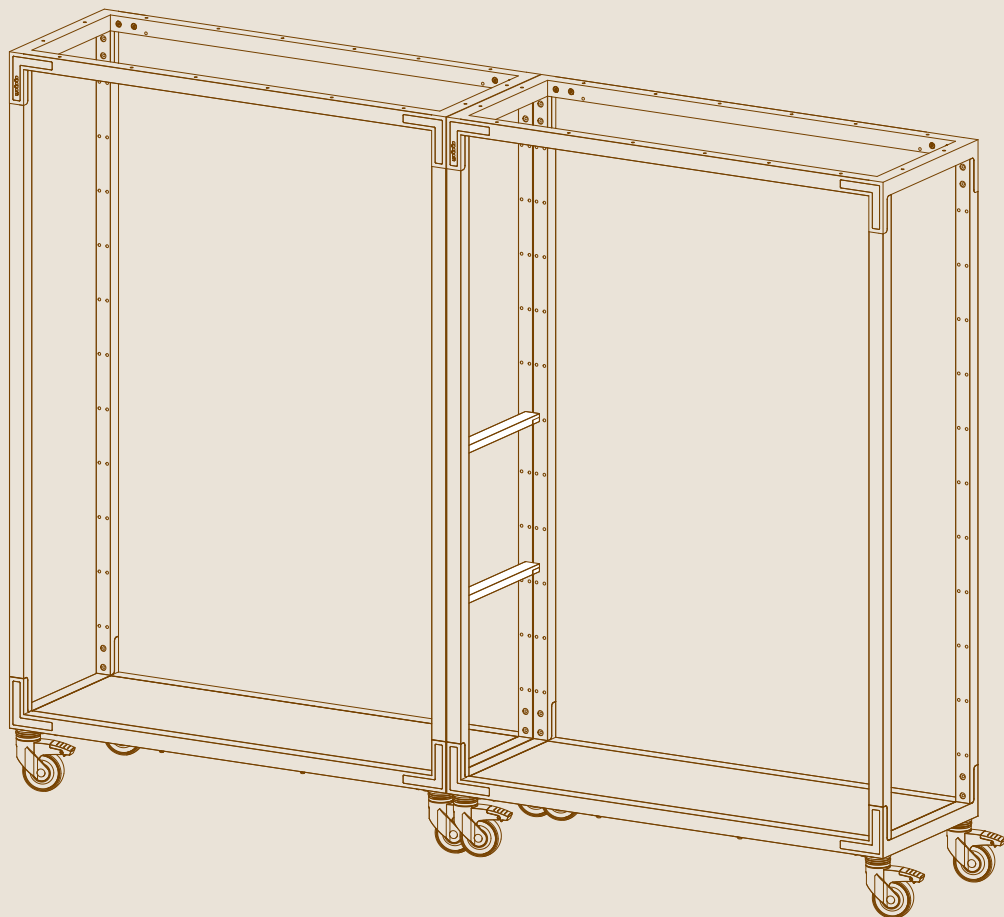


Canvas

SHELVING SYSTEM

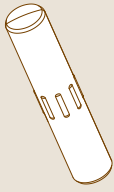
UNIT CONNECTORS

ASSEMBLY INSTRUCTIONS



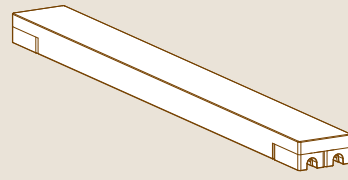
PARTS

X8



NYLON DOWEL PIN

X2

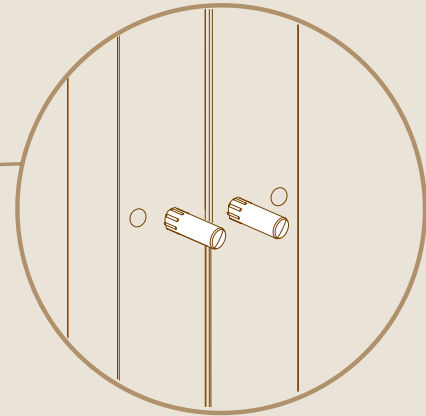
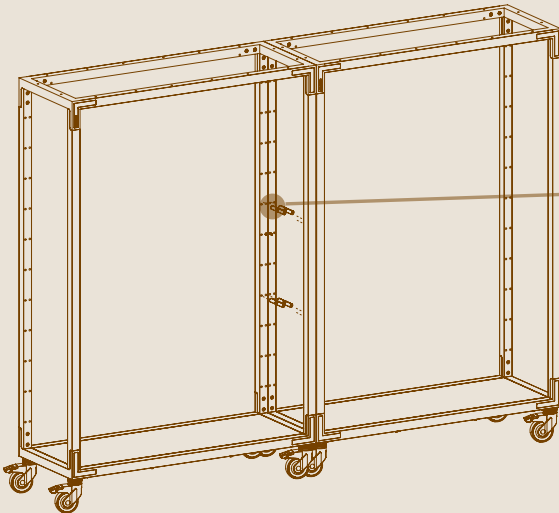


UNIT CONNECTORS

ASSEMBLY

1

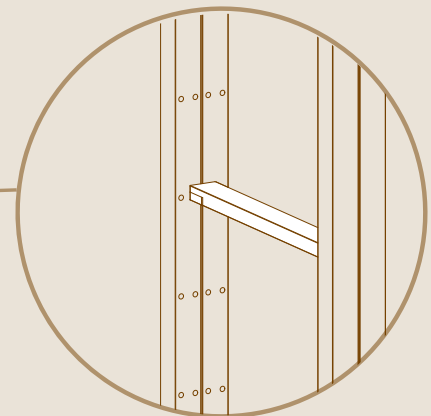
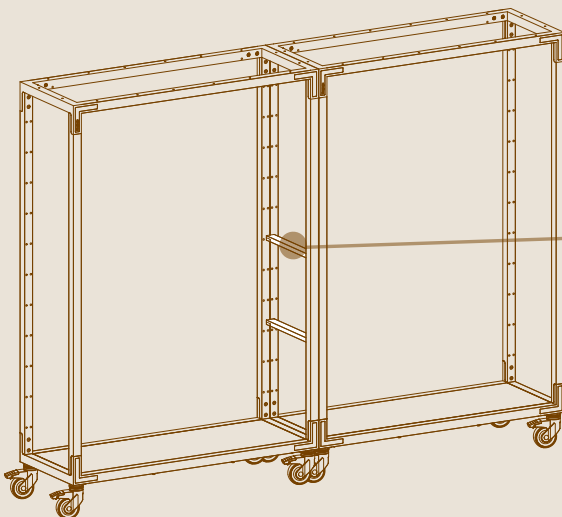
Insert 2 pins into each of the outer holes of both units, making sure you locate them at the same height



2

Place and snap the connector onto the pins.

It is recommended that both Connectors be used at different heights.



GREAT JOB, YOUR GOOD TO GO!