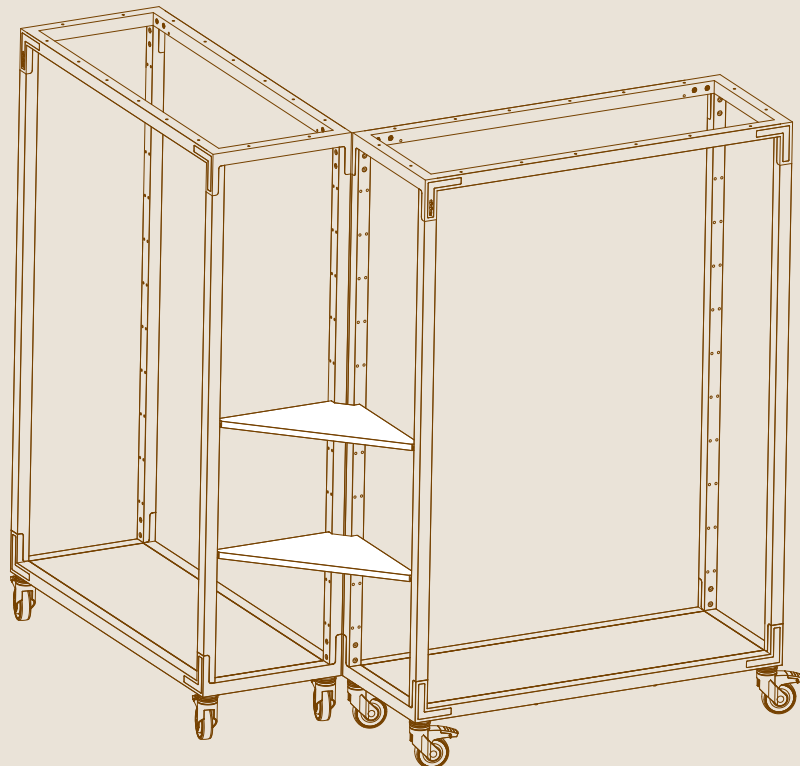


mogogo

Canvas  
SHELVING SYSTEM

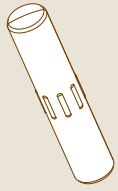
# CORNER SHELF CONNECTOR

## ASSEMBLY INSTRUCTIONS



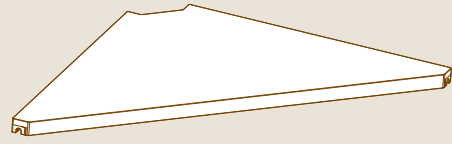
# PARTS

x4



NYLON DOWEL PIN

x2

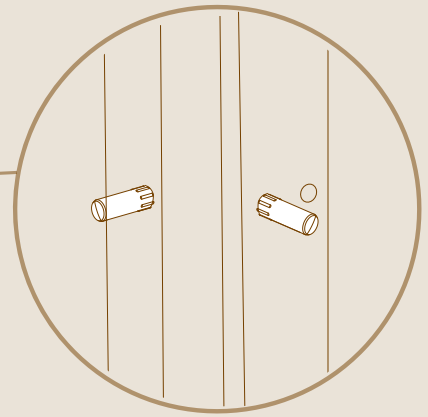
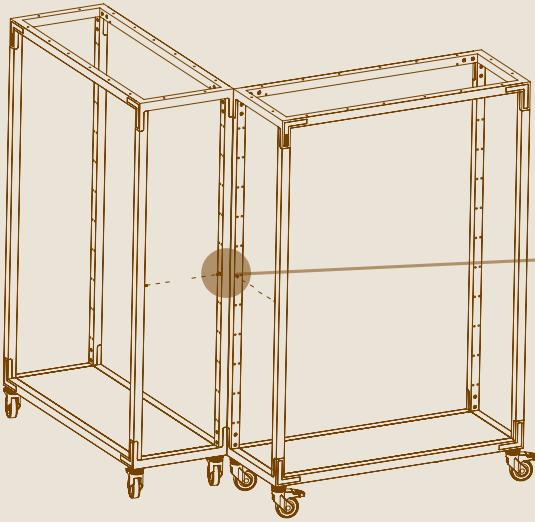


CORNER SHELF CONNECTOR

# ASSEMBLY

1

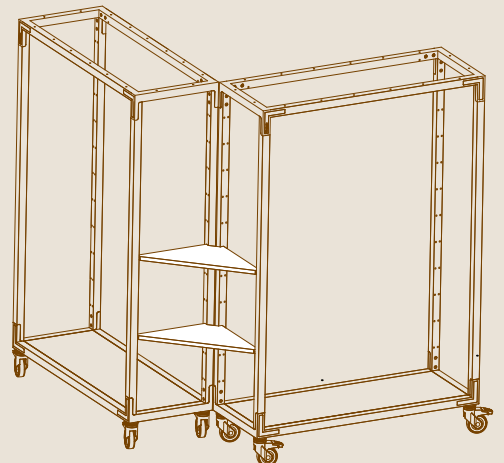
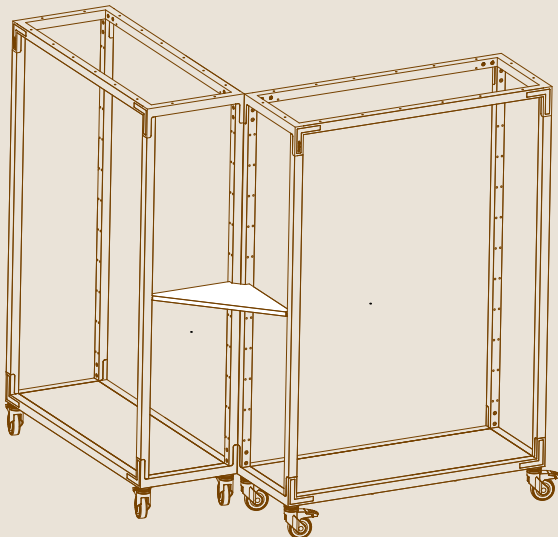
Insert 2 pins in each of the outer holes of the 2 units- make sure you locate them in the same height



2

Place and snap the Corner Shelf Connector on the pins.

\*to secure 2 units connection- it's advise to use both unit connector supplied, in diffrent hights.



**GREAT JOB, YOUR GOOD TO GO!**