

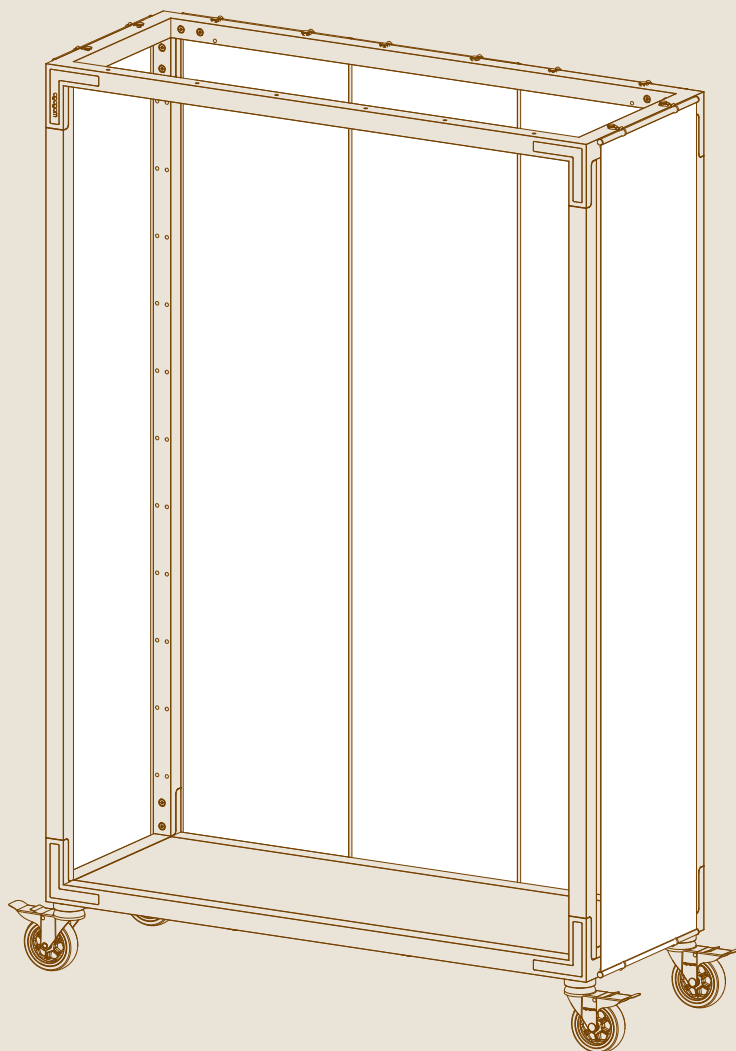


Canvas

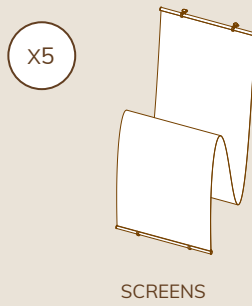
SHELVING SYSTEM

SCREENS

ASSEMBLY INSTRUCTIONS

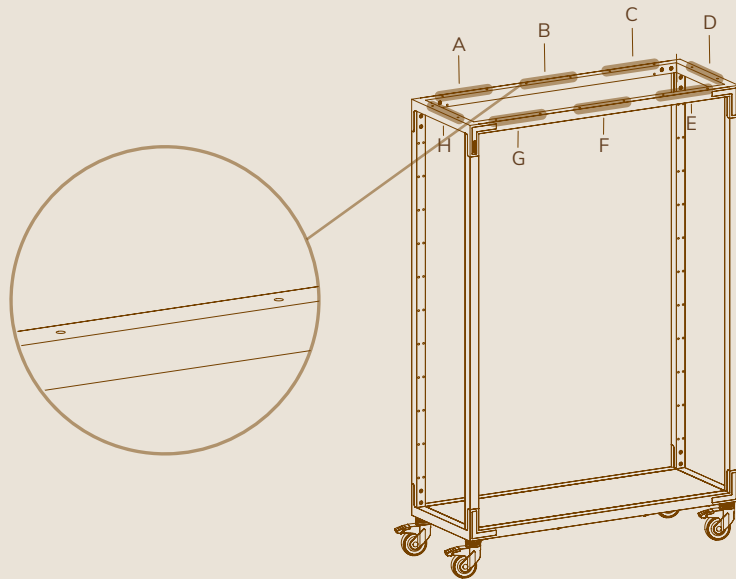


PARTS



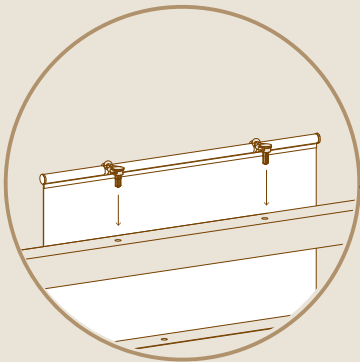
ASSEMBLY

- 1 Choose where to locate the screen

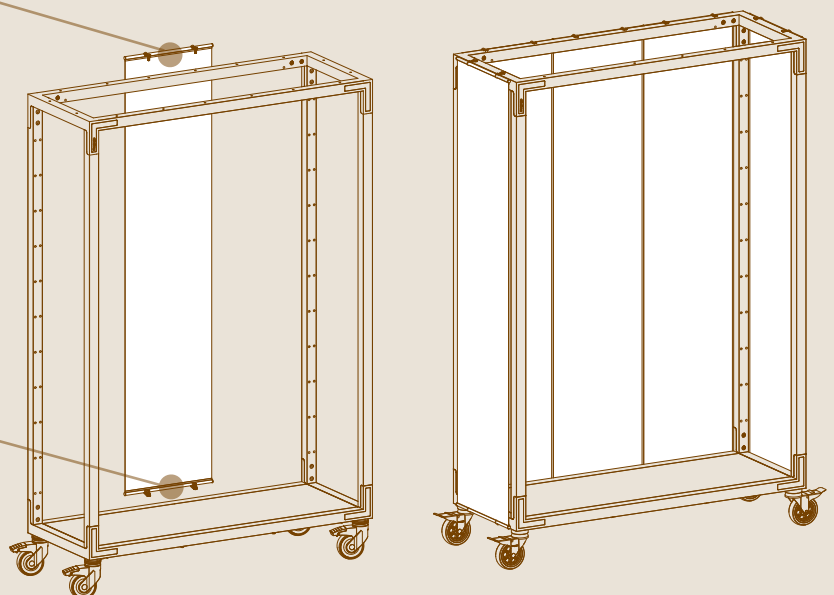
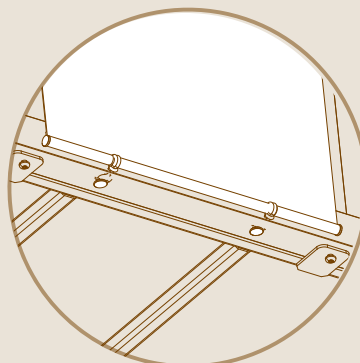


- 2 Insert the pins into the selcted holes, first on the top of the Canvas unit and then on the bottom.

2.1



2.2



GREAT JOB, YOUR GOOD TO GO!