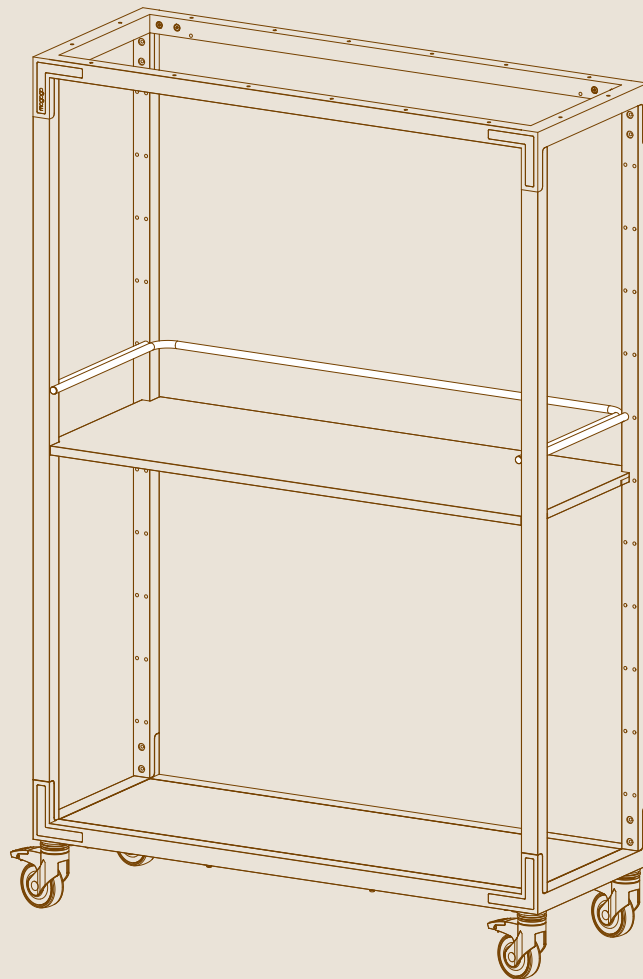




Canvas
SHELVING SYSTEM

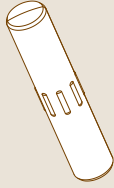
SHELF RETAINING BAR

ASSEMBLY INSTRUCTIONS



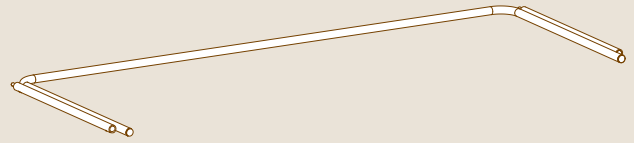
PARTS

X4



NYLON DOWEL PIN

X1

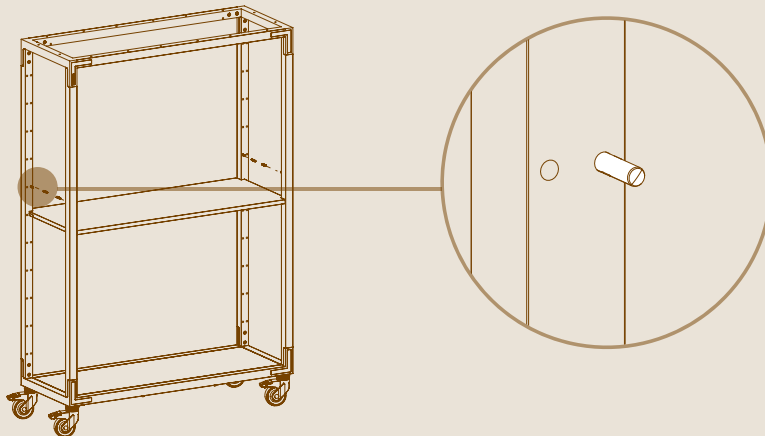


SHELF RETAINING BAR

ASSEMBLY

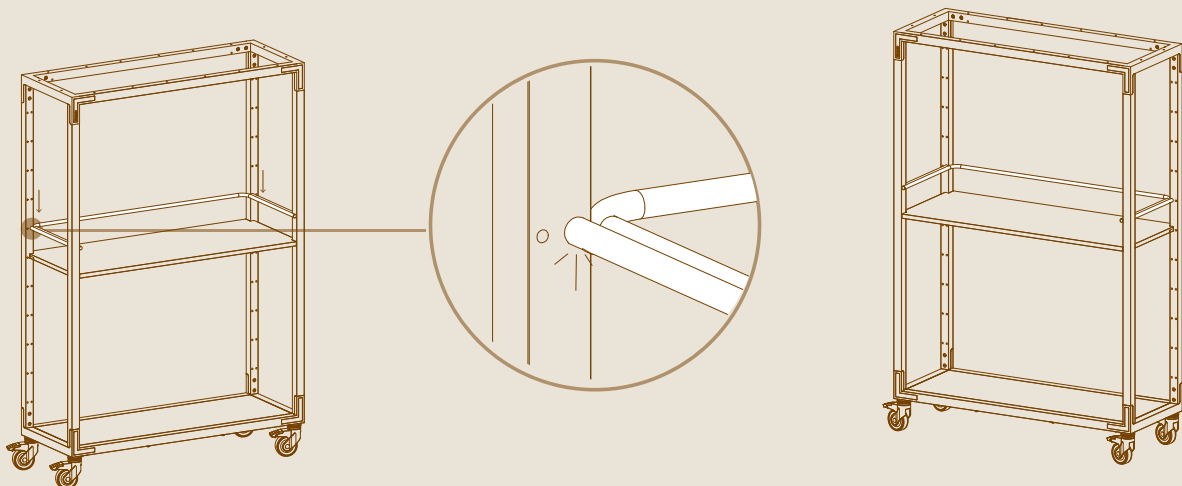
1

Insert 4 pins to Canvas unit's inner holes.
Make sure all pins are the same height.



2

Place and snap the shelf retaining bar on the pins.



GREAT JOB, YOUR GOOD TO GO!