

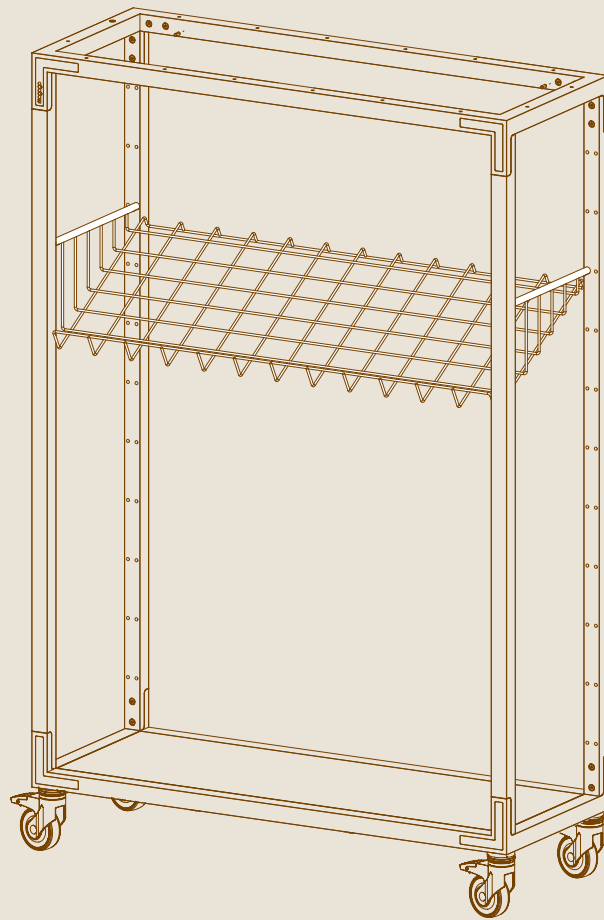


Canvas

SHELVING SYSTEM

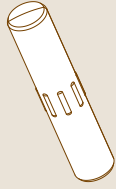
ANGLED SHELF

ASSEMBLY INSTRUCTIONS



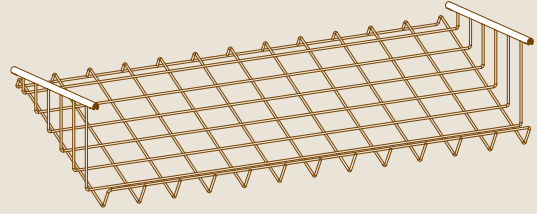
PARTS

X4



NYLON DOWEL PIN

X1

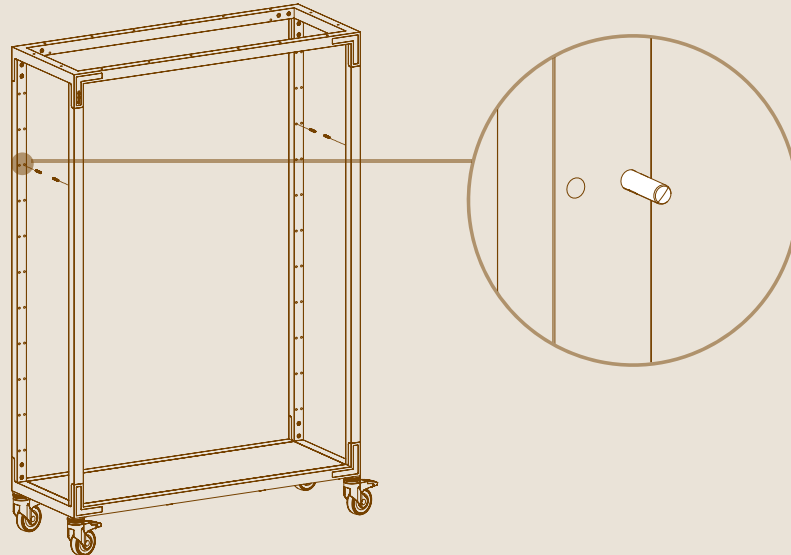


ANGLED SHELF

ASSEMBLY

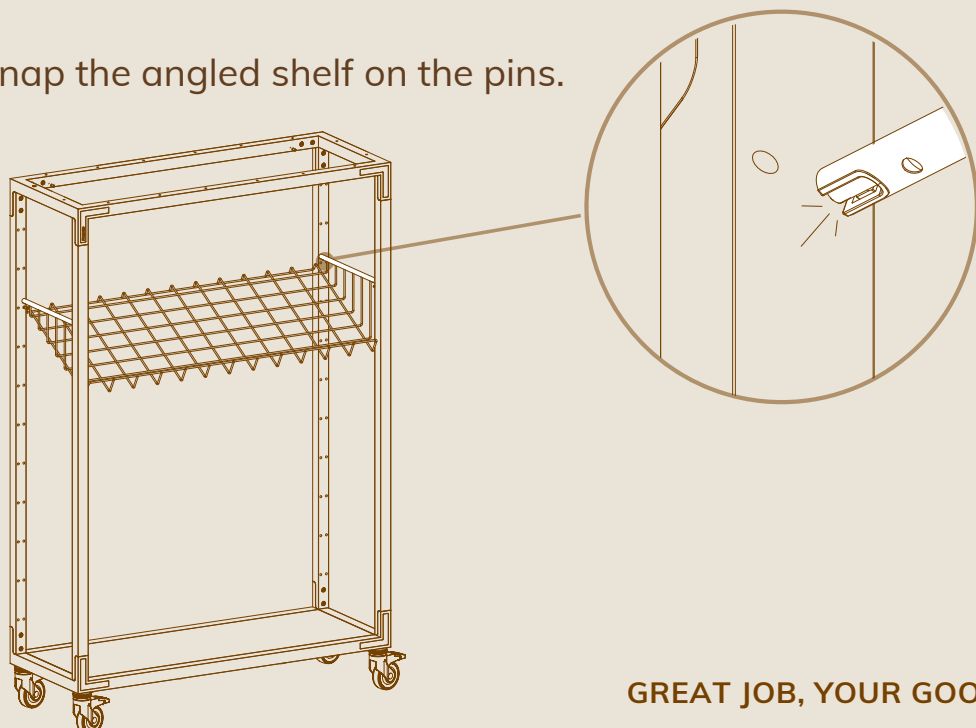
1

Insert 4 pins to Canvas unit's inner holes.
Make sure all pins are the same height.



2

Place and snap the angled shelf on the pins.



GREAT JOB, YOUR GOOD TO GO!