

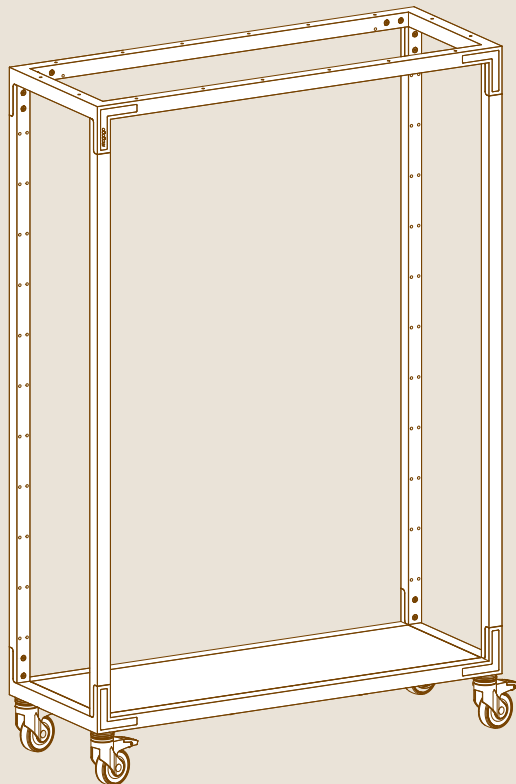
mogogo

Canvas  
SHELVING SYSTEM

EMPTY UNIT WITH CASTERS



ASSEMBLY INSTRUCTIONS



# PARTS

X16



M6X30 FLAT HEAD SCREW

X1



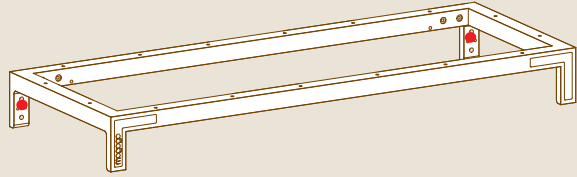
ALLEN KEY FOR M6 SCREWS

X1



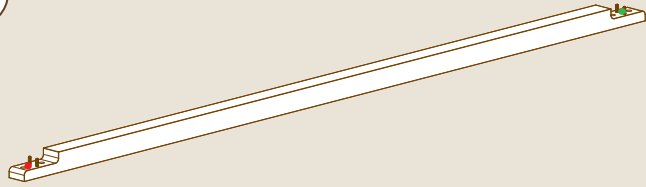
FLAT WRENCH

X1



TOP FRAME

X4



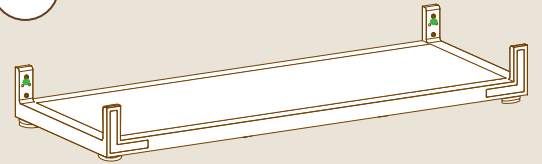
FRAME UPRIGHT BEAM

X4



CASTER

X1

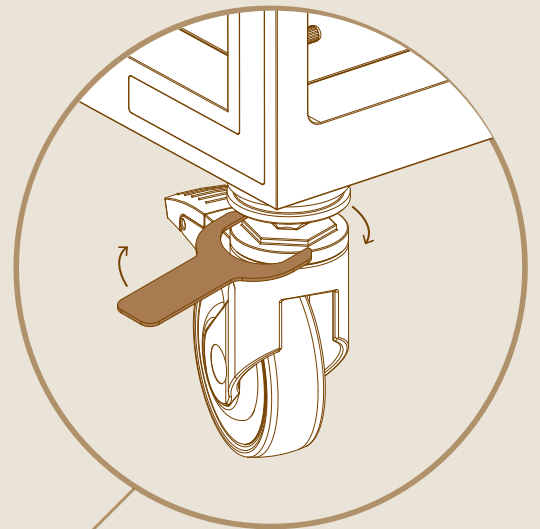
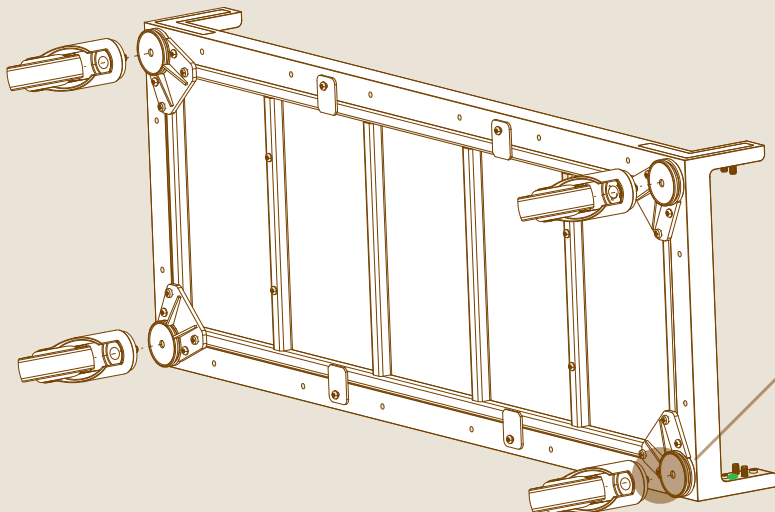


BASE FRAME

# ASSEMBLY

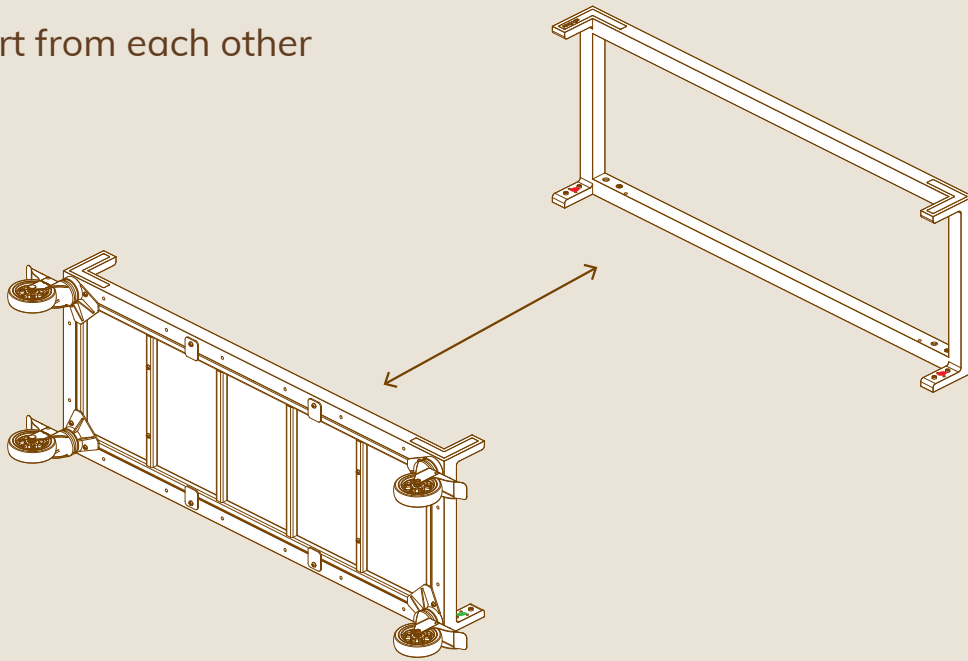
1

Screw the casters to the base frame and tighten using the flat wrench



2

Place Base and Top Frame  
apart from each other

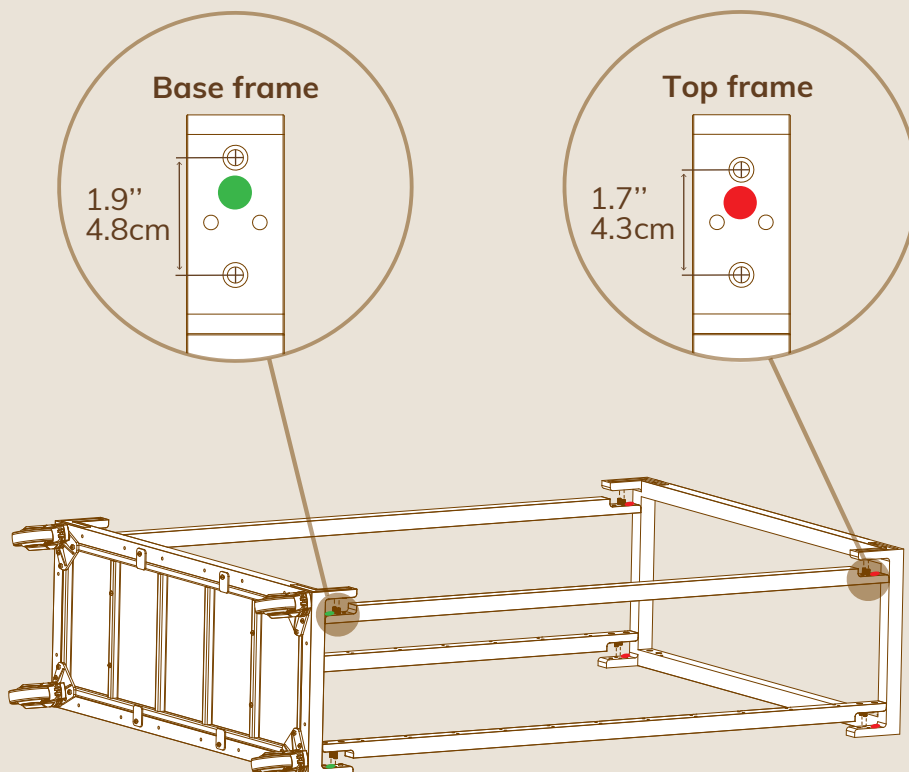


3

Assemble the frame uprights to the base frame.

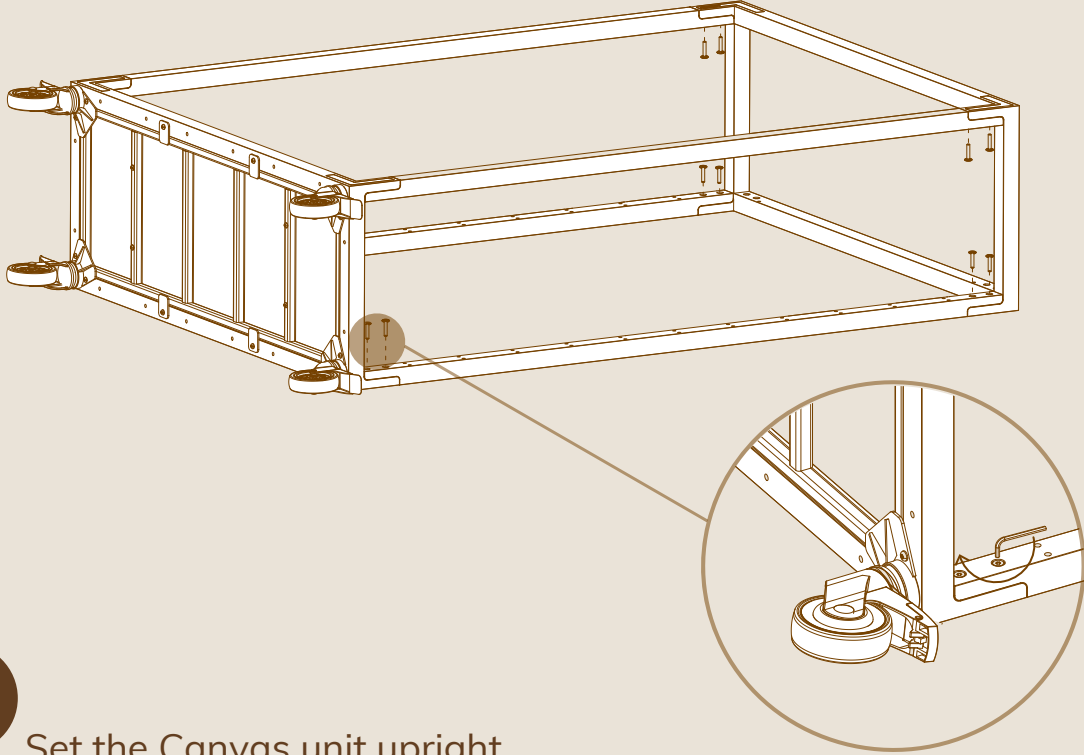
Support the uprights while tightening!

**Make sure you connect each end of the beam to the right side**



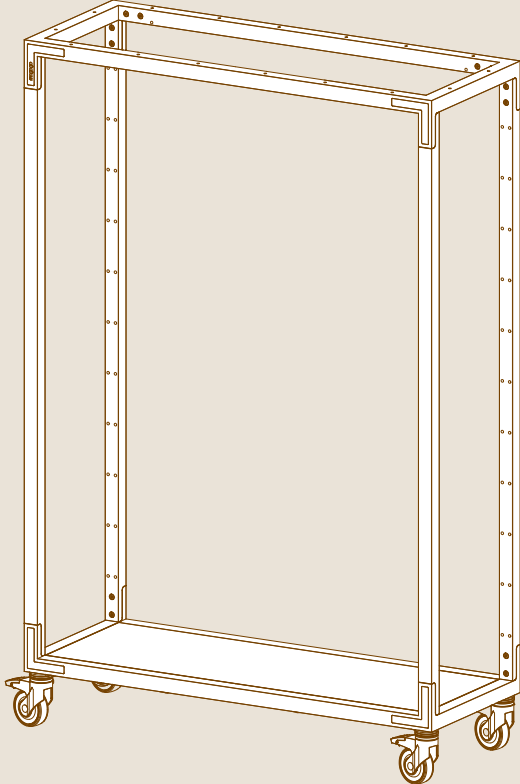
4

Tighten the frame uprights to the top frame



5

Set the Canvas unit upright.



**GREAT JOB, YOUR GOOD TO GO!**