

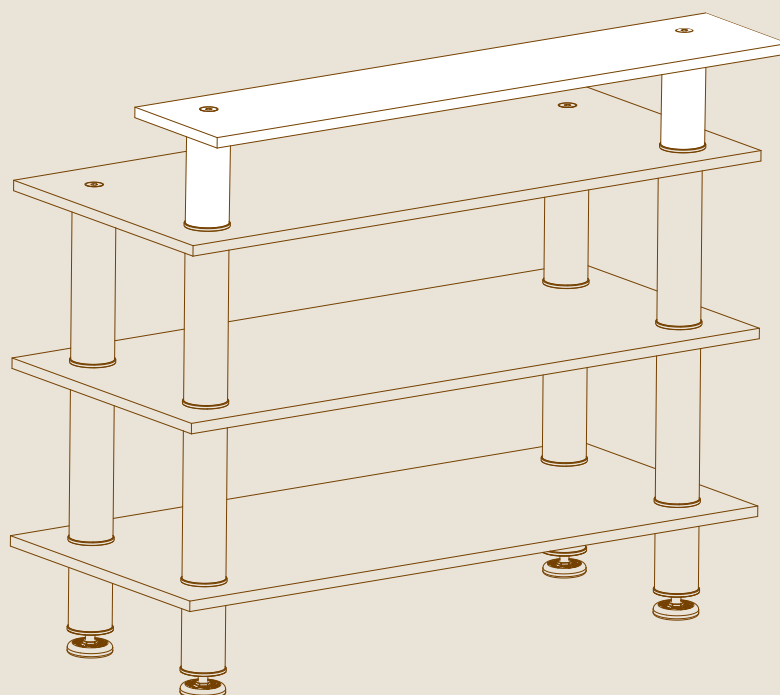
mogogo

Modular

SYSTEM

EXTENSION SHELF

ASSEMBLY INSTRUCTIONS



PARTS

x1

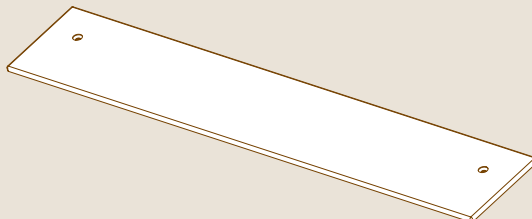
ALLEN KEY FOR M16


x2

M16 ALLEN SCREWS

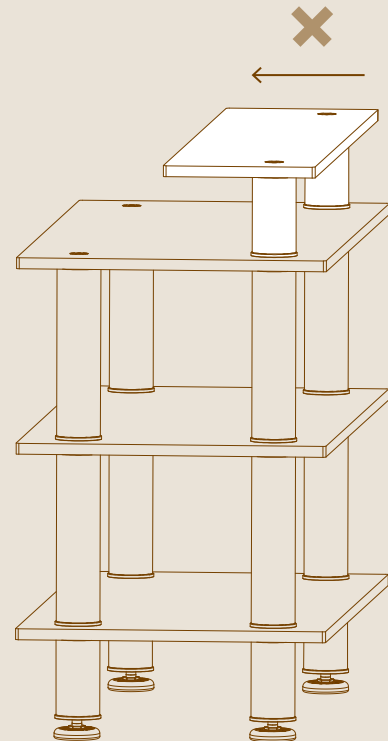
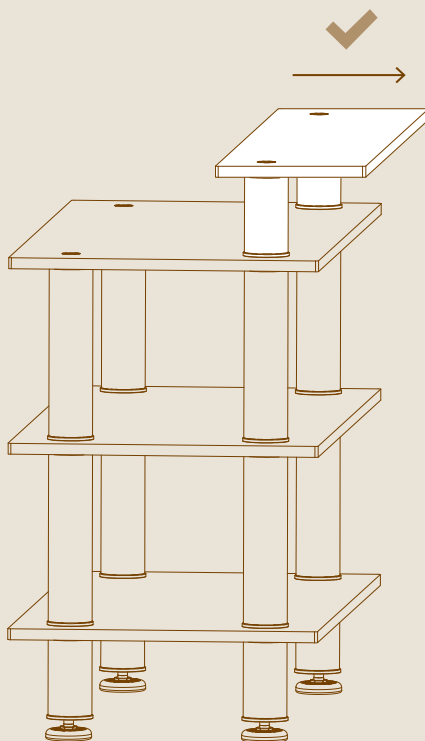
x2

SCREW CAPS

x1

EXTENSION SHELF L47" W10" | L120cm W25cm

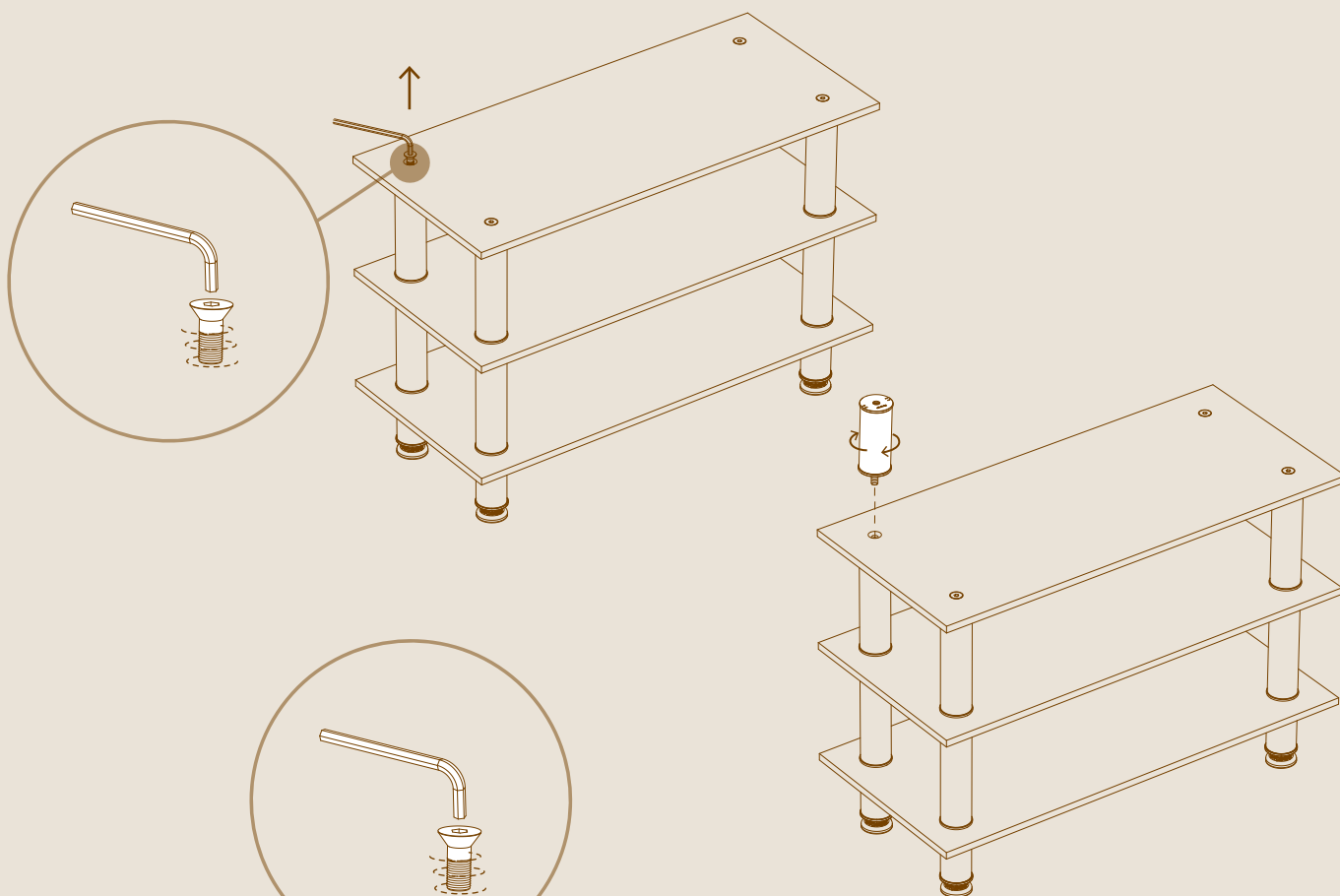
x2

5.7" | 14cm SEGMENTS

! Please notice: shelf should be sticking out from the Extension Unit.

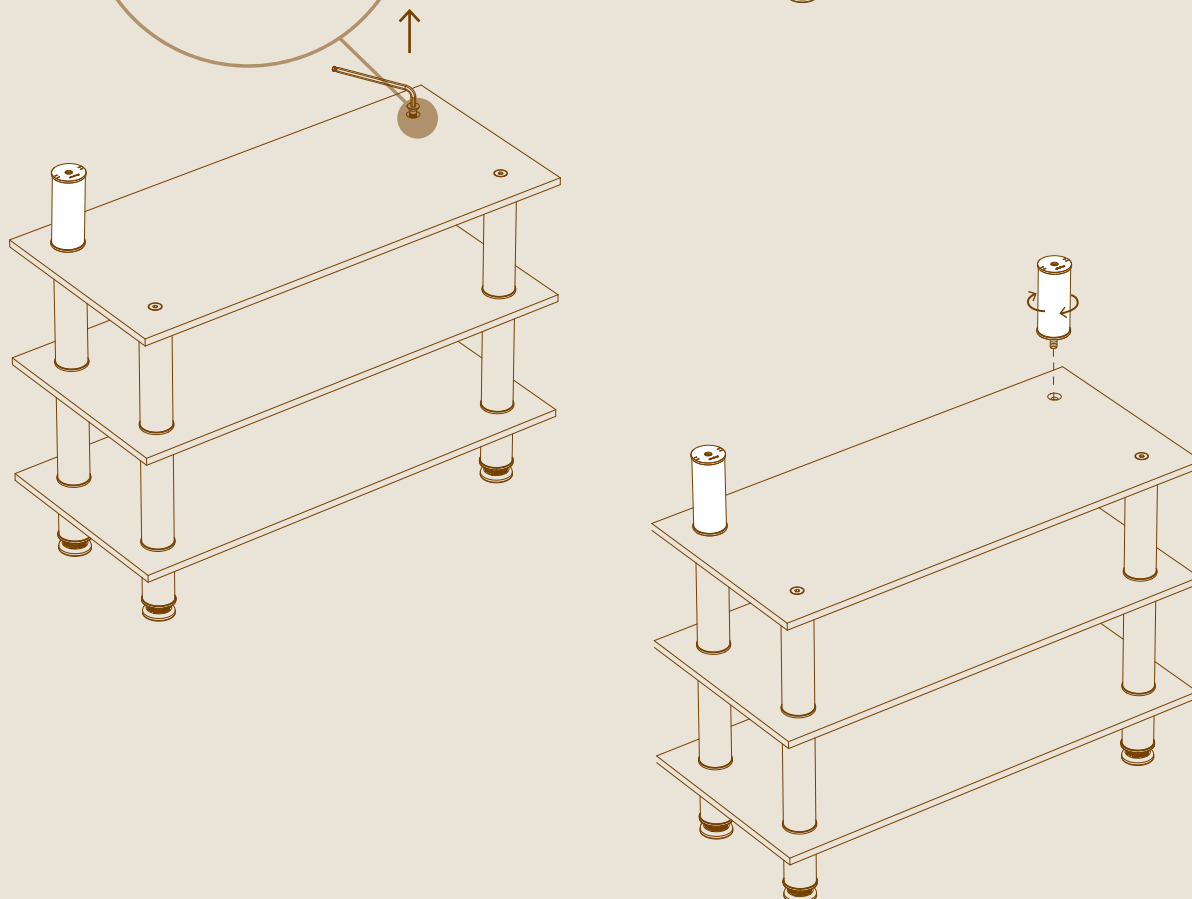


ASSEMBLY

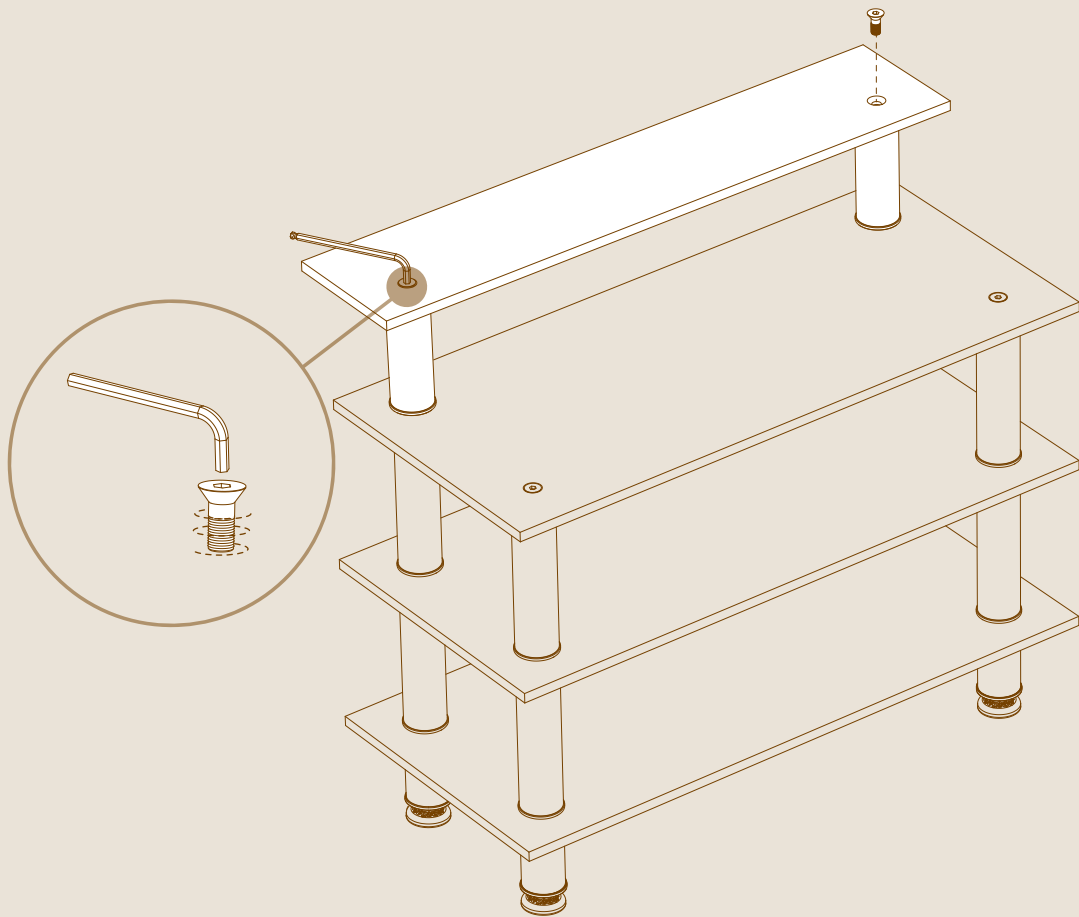
1



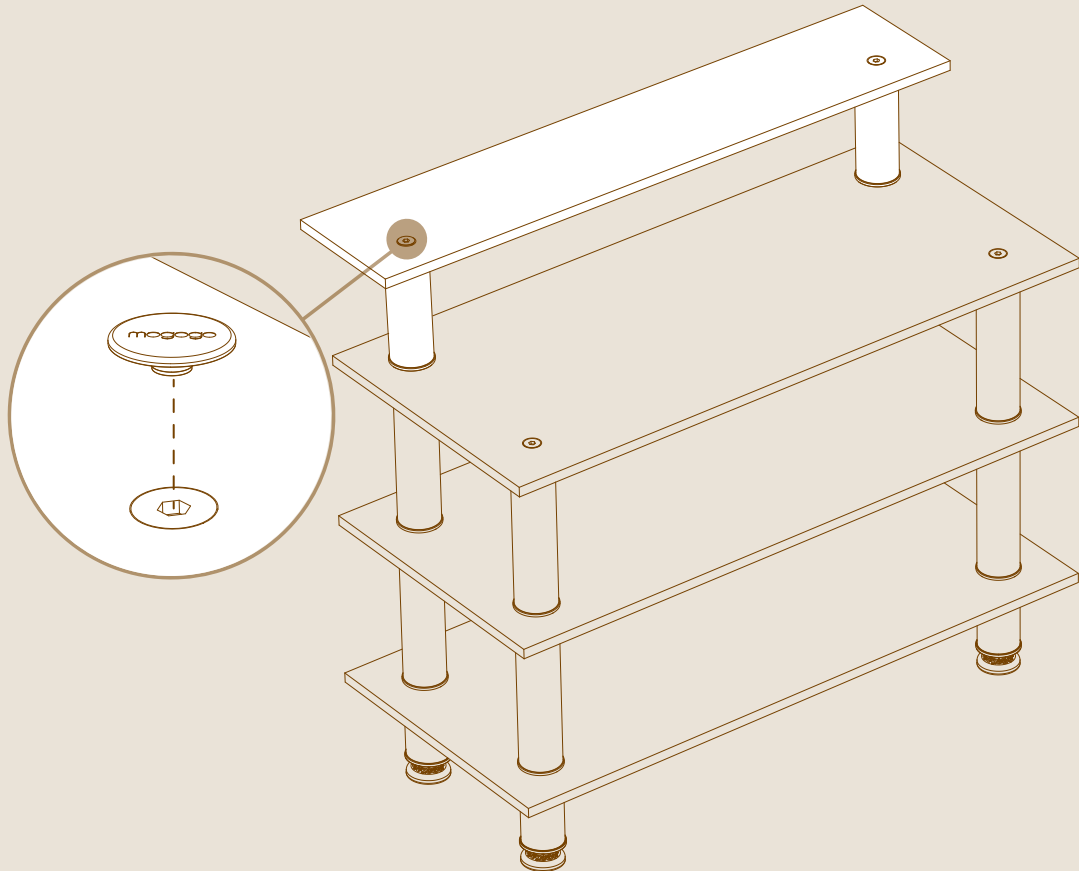
2



3



4



YOU'RE ALL DONE, WAY TO GO!