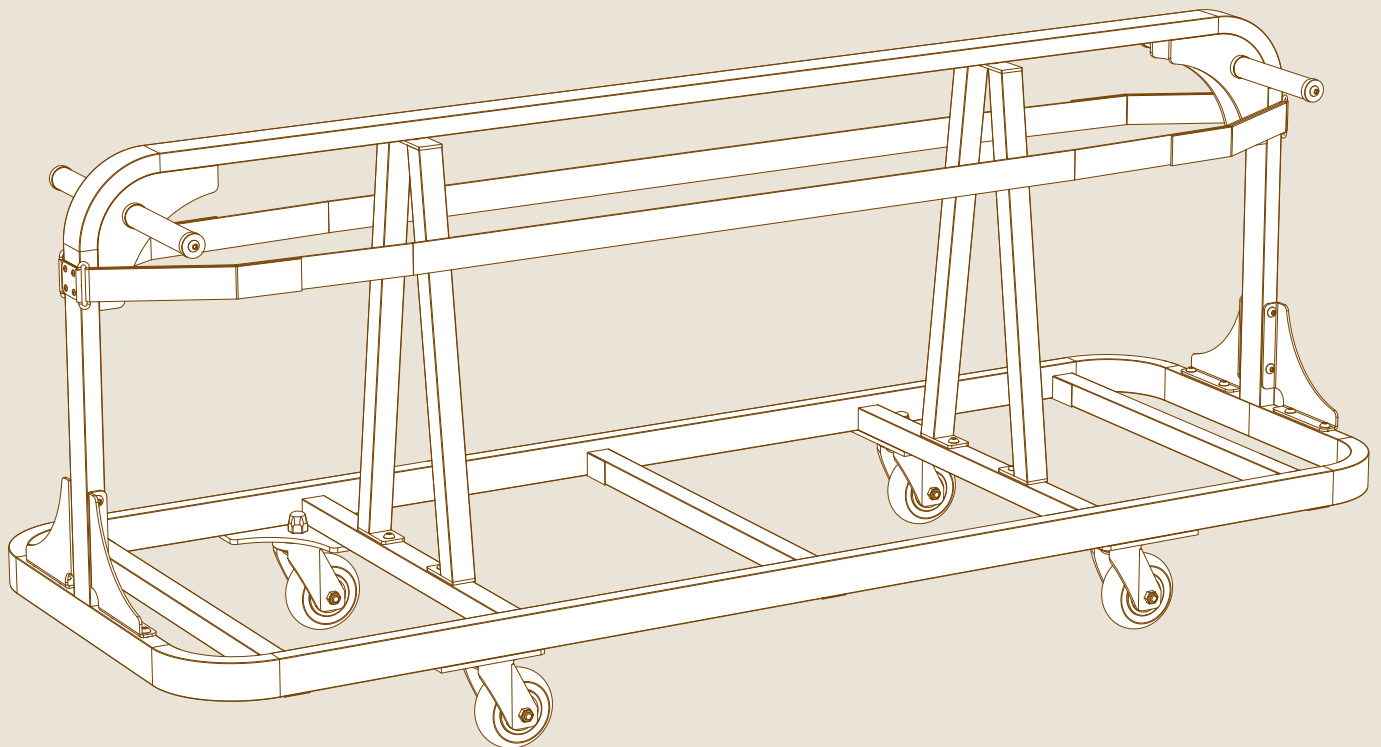


mogogo

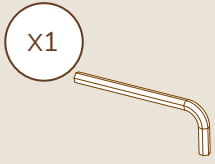
UTILITY

COLLECTION

LARGE PLATE TRANSFER AND STORAGE CART

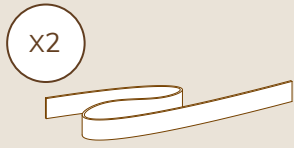


PARTS



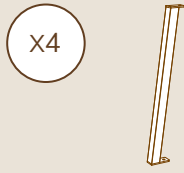
X1

ALLEN KEY FOR M10 SCREWS



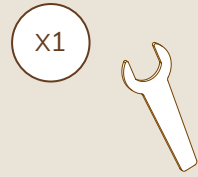
X2

STRAPS



X4

VERTICAL SUPPORTER



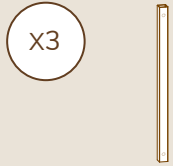
X1

FLAT KEY



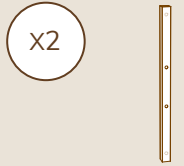
X34

ROUND CAP M10 SCREWS



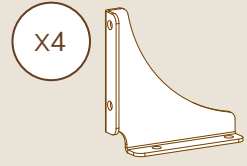
X3

HORIZONTAL SUPPORTER
(2 HOLES)



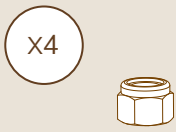
X2

HORIZONTAL SUPPORTER
(4 HOLES)



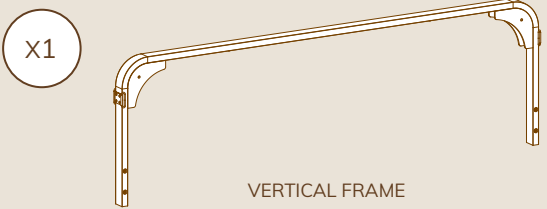
X4

FRAME ANGLES



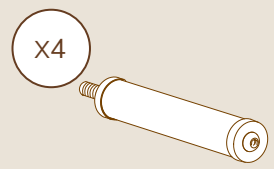
X4

SCREW NUTS



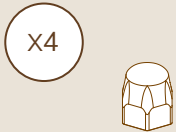
X1

VERTICAL FRAME



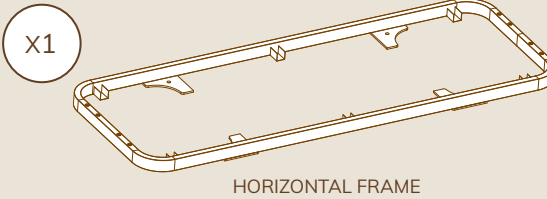
X4

HANDLES



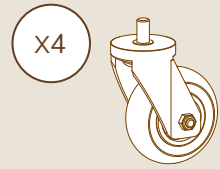
X4

SCREW CAPS



X1

HORIZONTAL FRAME

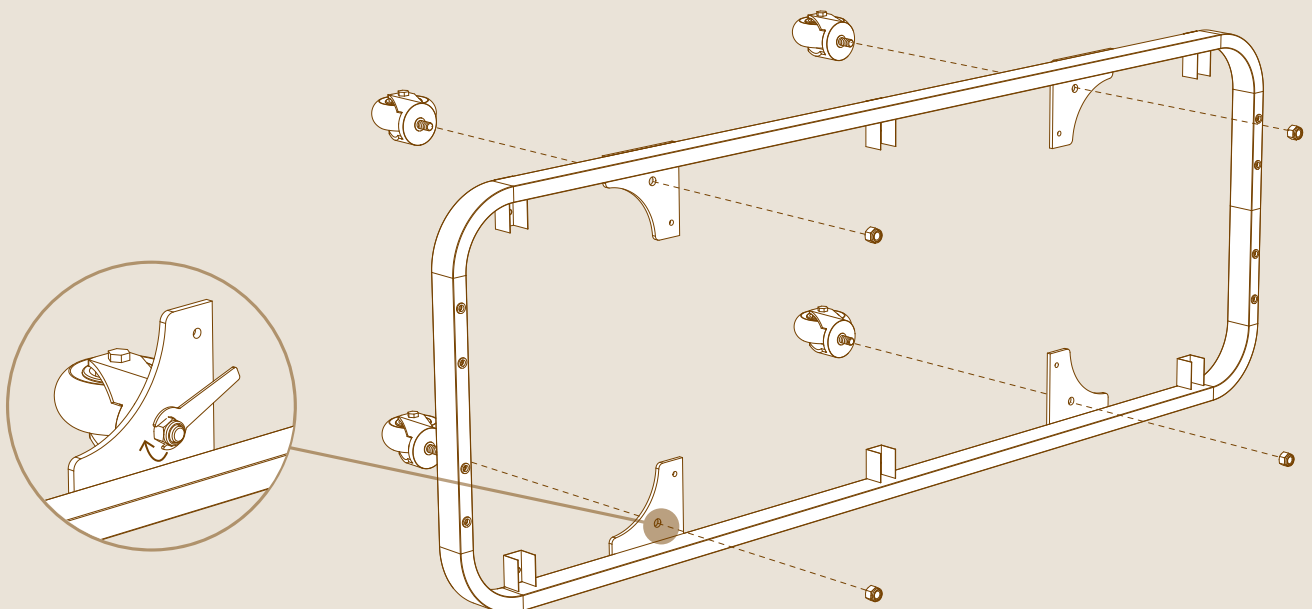


X4

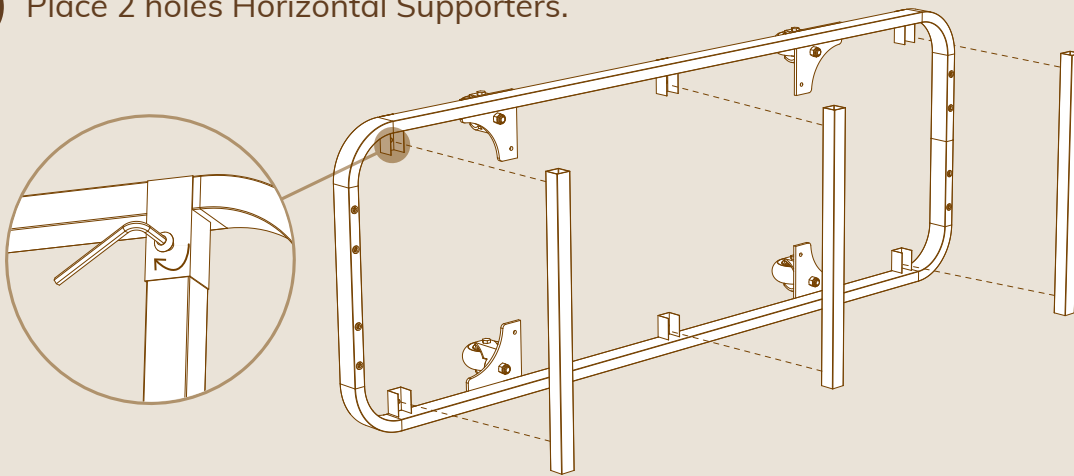
CASTERS

ASSEMBLY

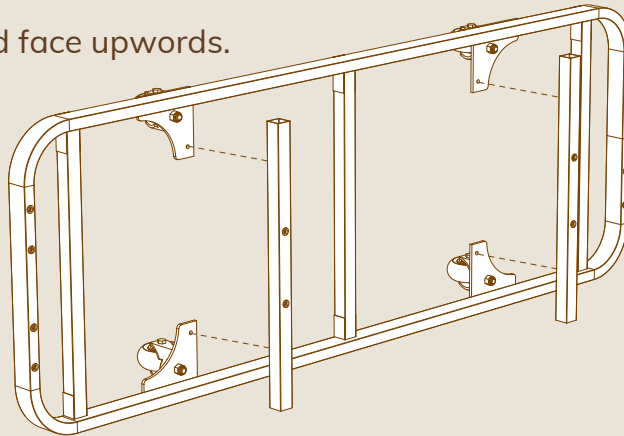
1



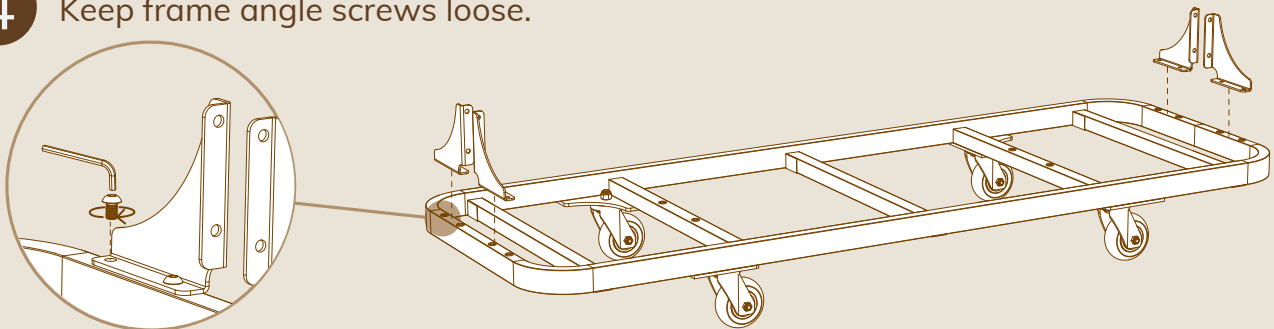
2 Place 2 holes Horizontal Supporters.



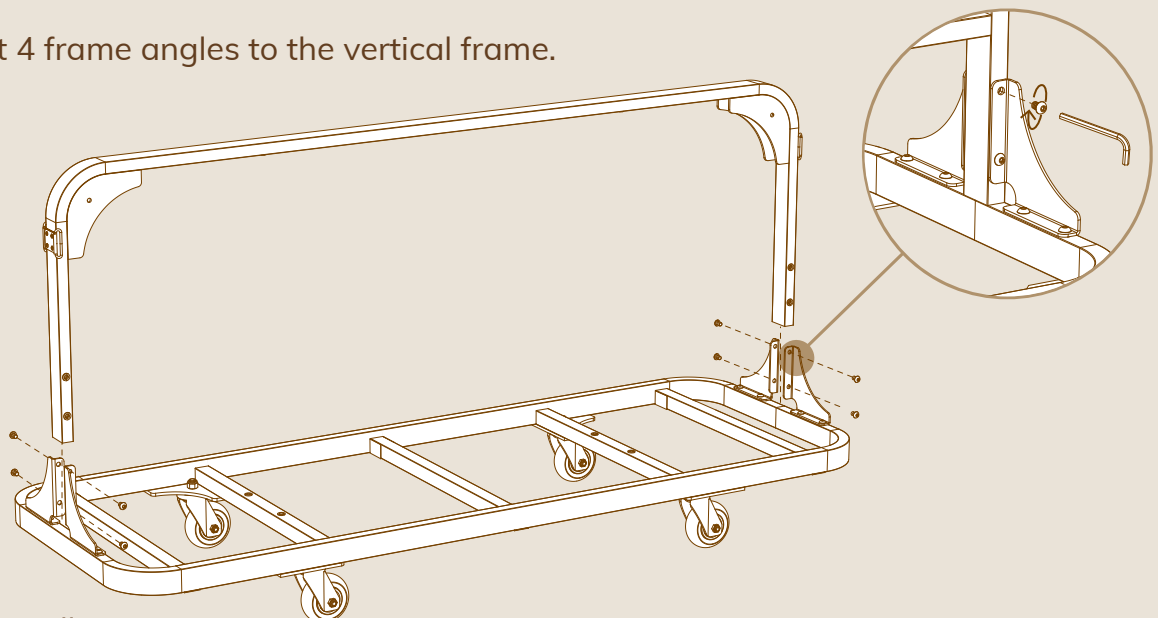
3 Place 4 holes Horizontal Supporters above casters.
2 middle holes should face upwards.



4 Keep frame angle screws loose.

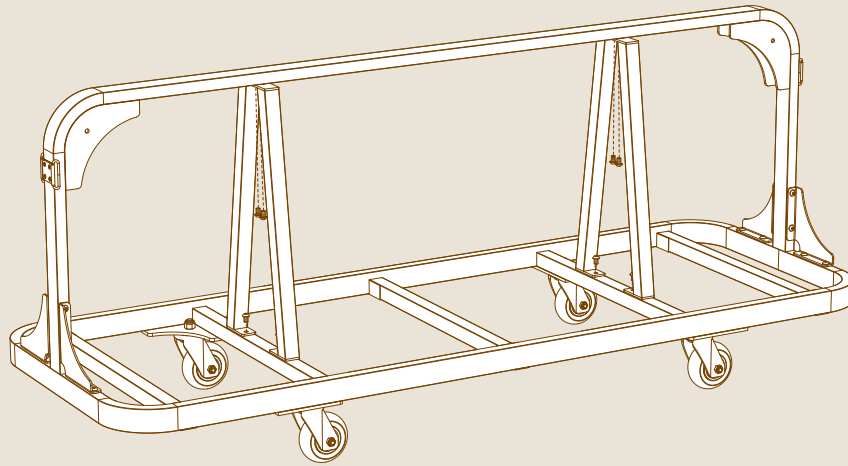


5 Adjust 4 frame angles to the vertical frame.

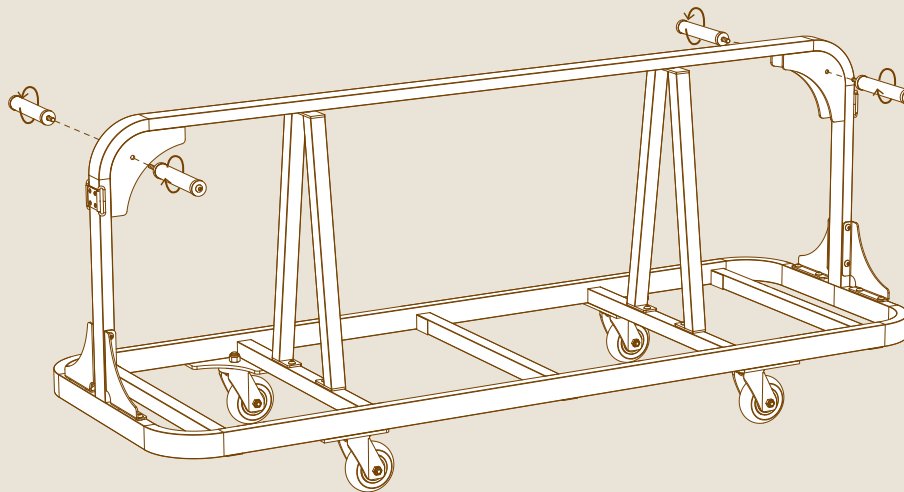


6 Tighten all screws.

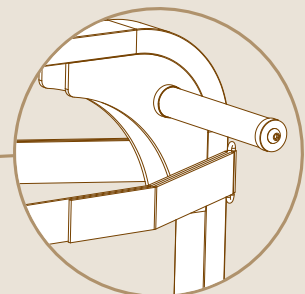
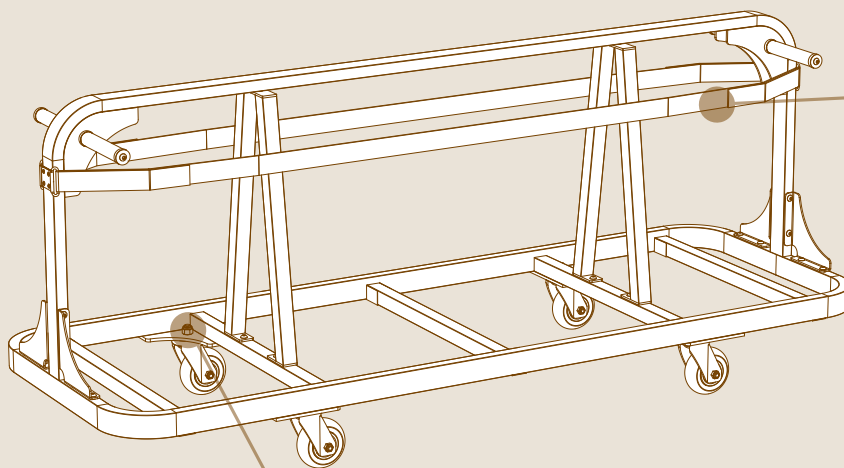
7



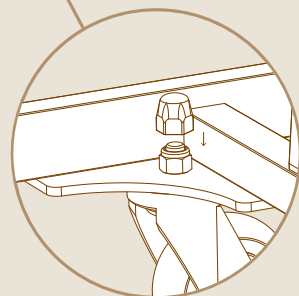
8



9



Tighten velcro on straps.



Add screw caps on
caster screws.

YOU'RE ALL DONE, WAY TO GO!