

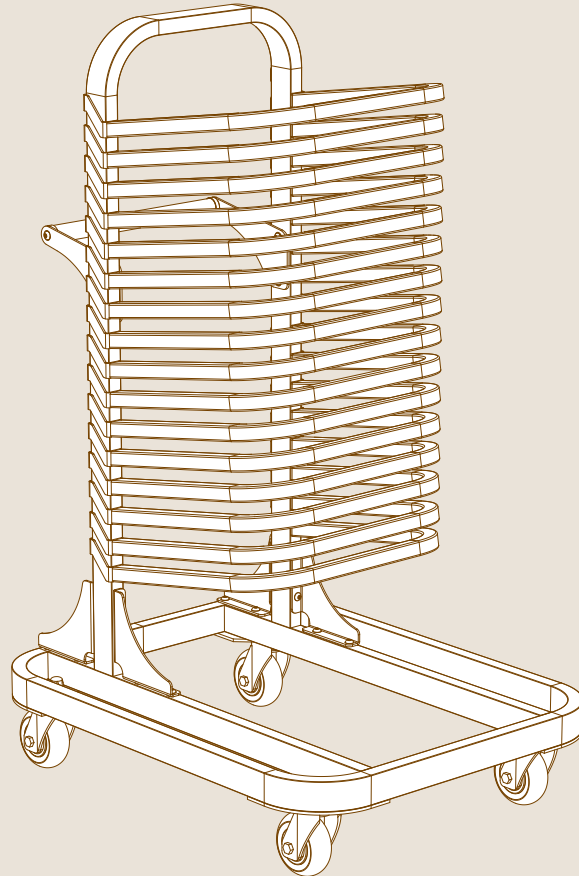
mogogo

UTILITY

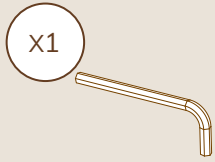
COLLECTION

---

**CLIX ROUND \ SQUARE TOP  
TRANSFER AND STORAGE CART**

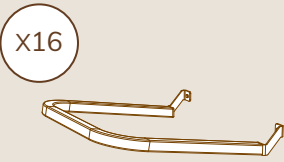


# PARTS



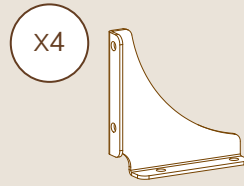
X1

ALLEN KEY FOR M10 SCREWS



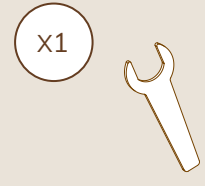
X16

TRAY FRAME FOR TOPS



X4

FRAME ANGLES



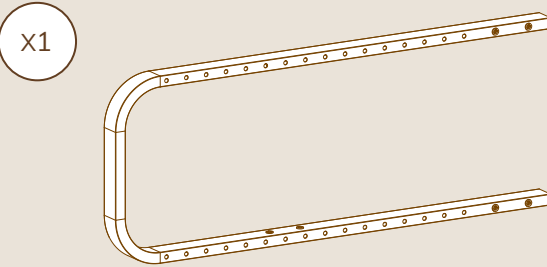
X1

FLAT KEY



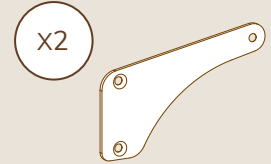
X22

ROUND CAP M10 SCREWS



X1

VERTICAL FRAME



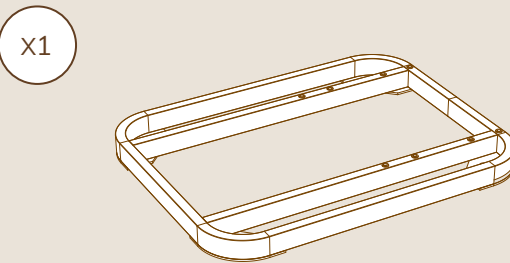
X2

HANDLE SUPPORTS



X4

SCREW NUTS



X1

HORIZONTAL FRAME



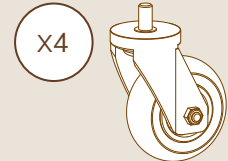
X1

HANDLE



X4

SCREW CAPS

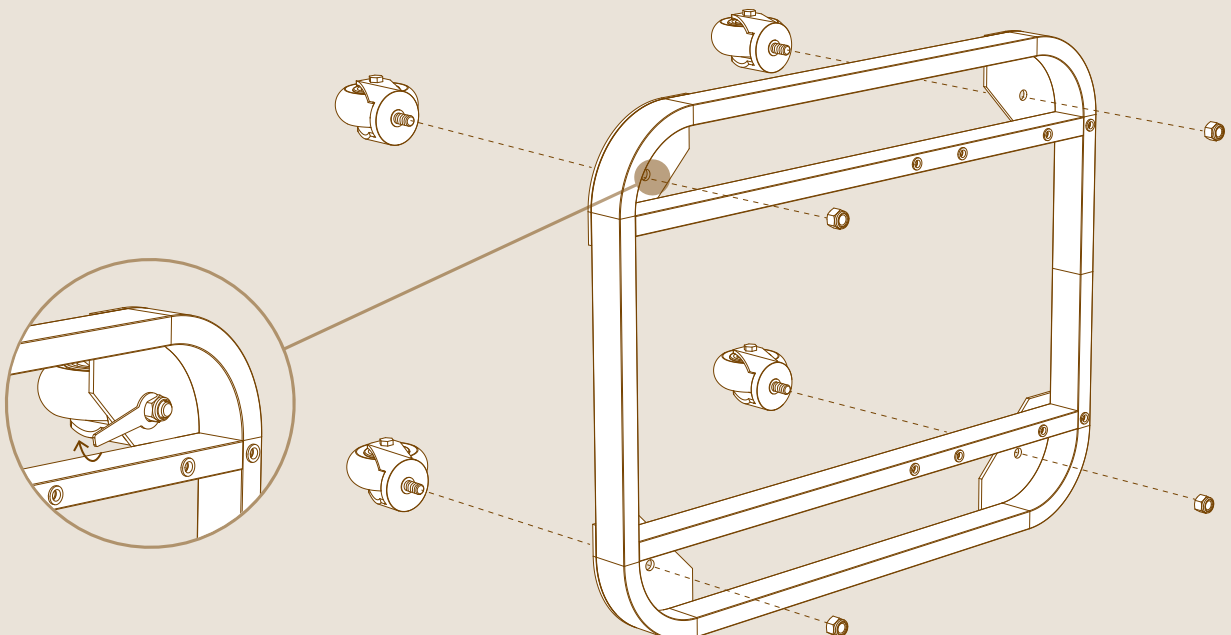


X4

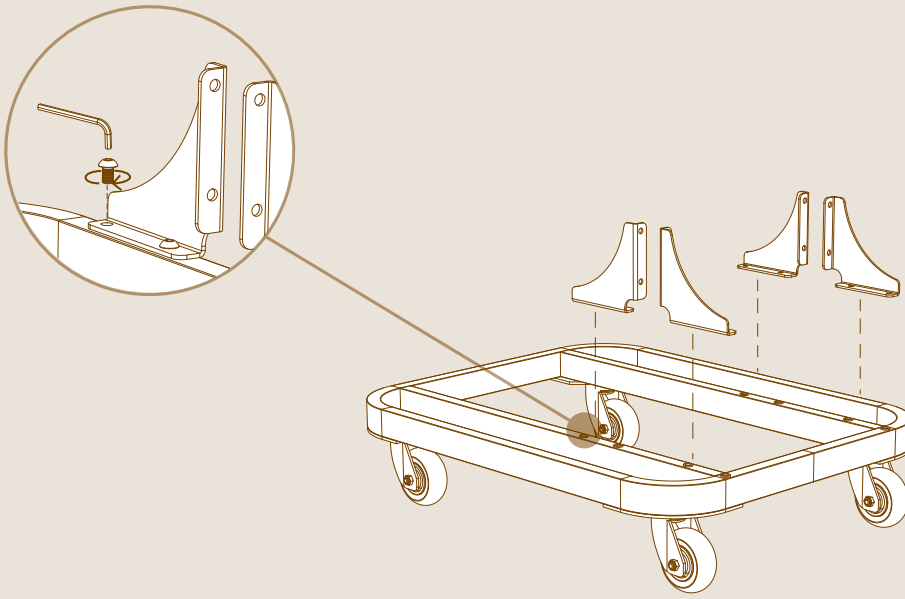
CASTERS

# ASSEMBLY

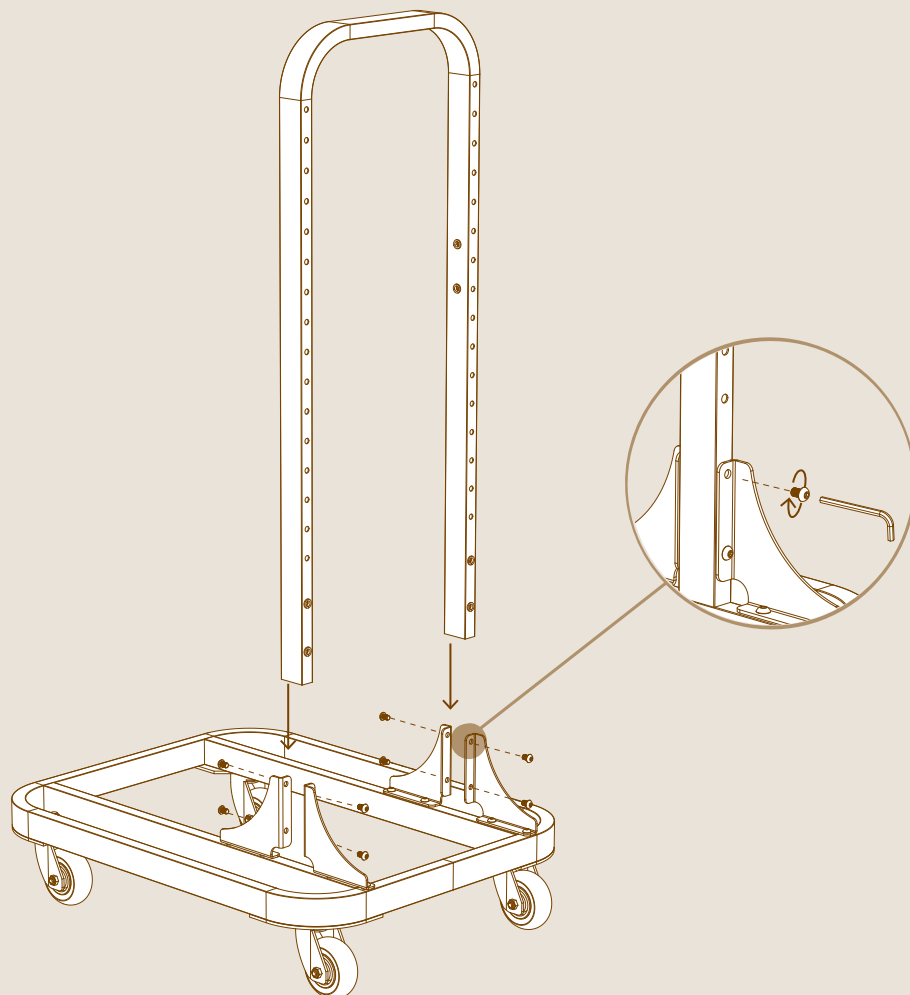
1



- 2 Keep frame angle screws loose.

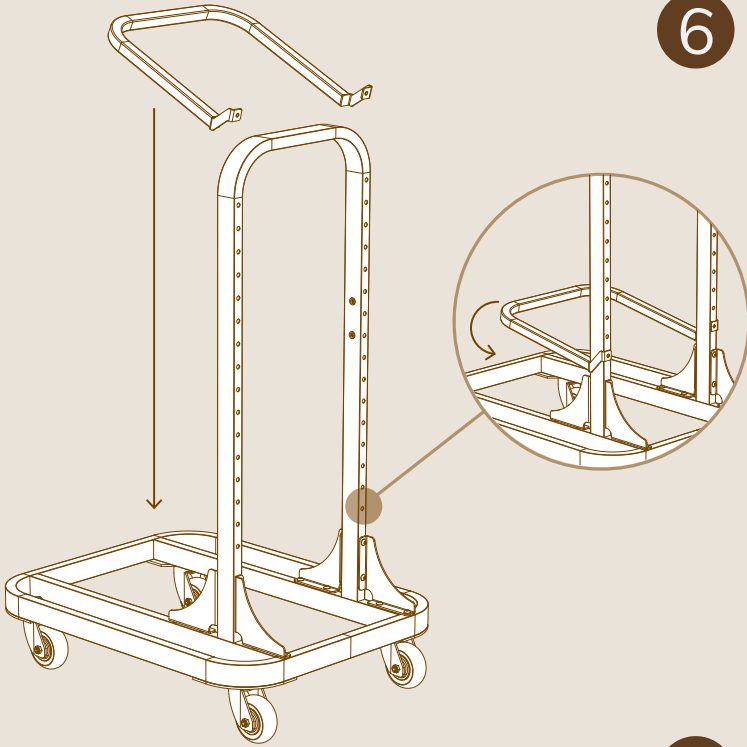


- 3 Make sure the holes on the vertical frame are facing the correct side according to the image. Adjust the 4 frame angles to the vertical frame.



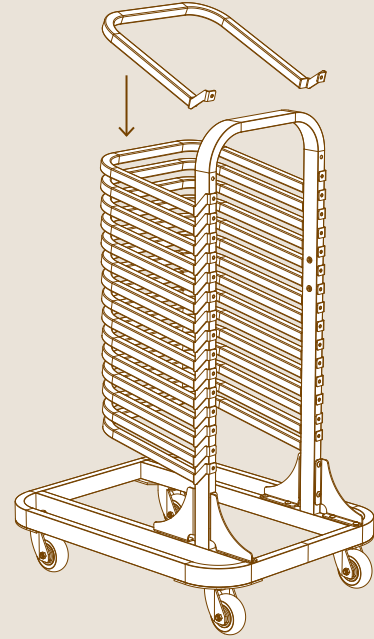
- 4 Tighten all screws.

5

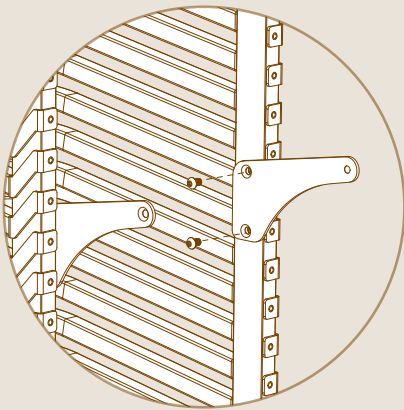


6

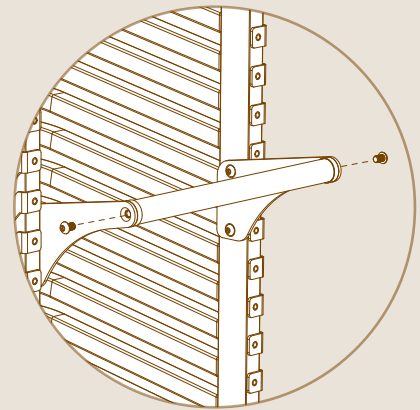
Repeat step 5 for all 16 tray frames.



7

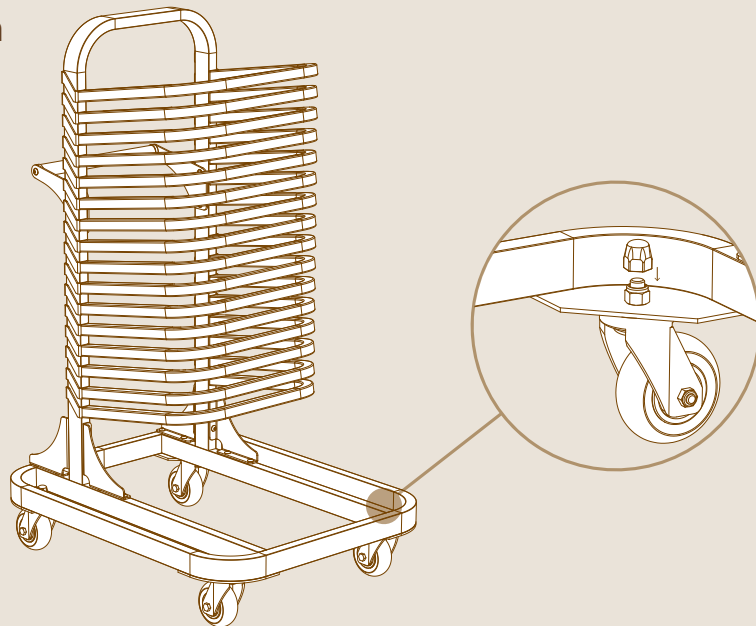


8



9

Add screw caps on caster screws.



**GREAT JOB, YOUR GOOD TO GO!**