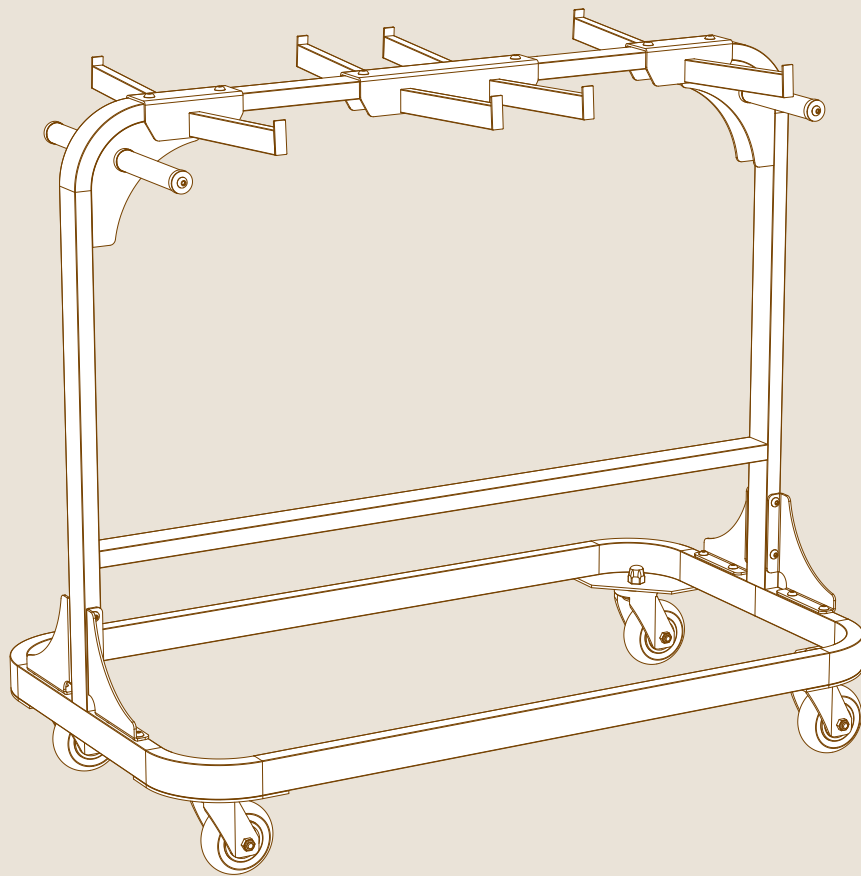


mogogo

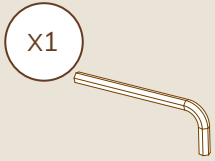
UTILITY

COLLECTION

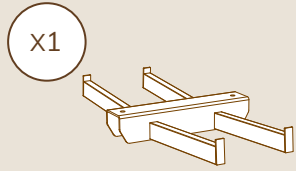
CLIX LEG TRANSFER AND STORAGE CART



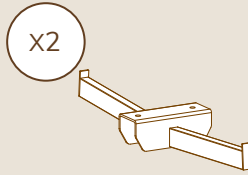
PARTS



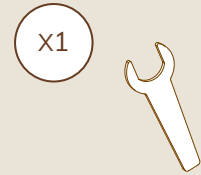
X1
ALLEN KEY FOR
M10 SCREWS



X1
DOUBLE RACK



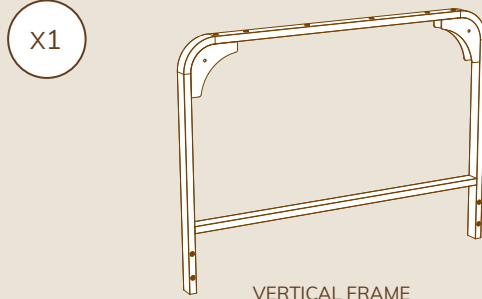
X2
SINGLE RACK



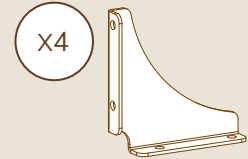
X1
FLAT KEY



X22
ROUND CAP M10 SCREWS



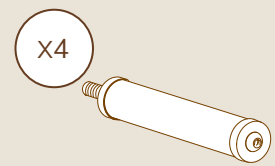
X1
VERTICAL FRAME



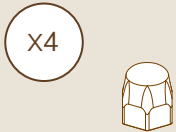
X4
FRAME ANGLES



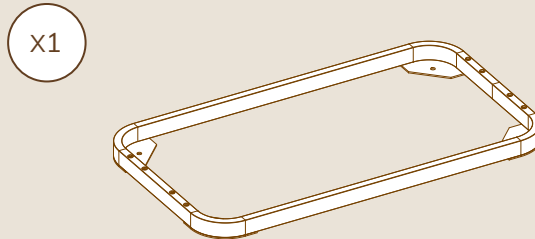
X4
SCREW NUTS



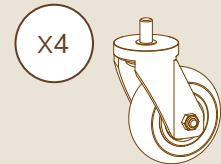
X4
HANDLES



X4
SCREW CAPS



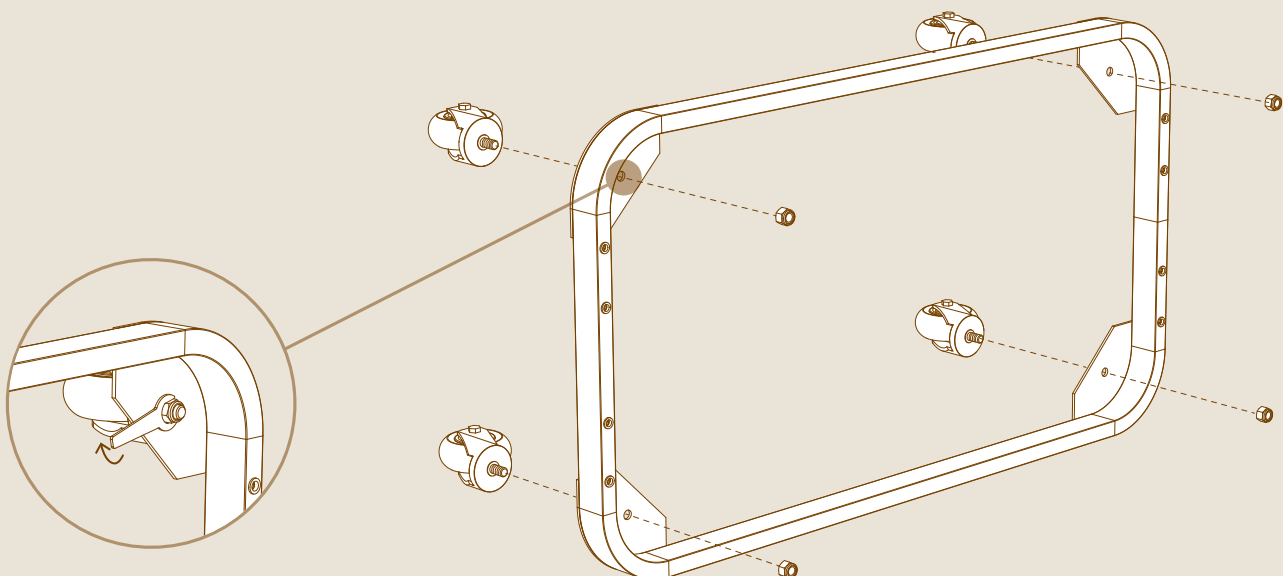
X1
HORIZONTAL FRAME



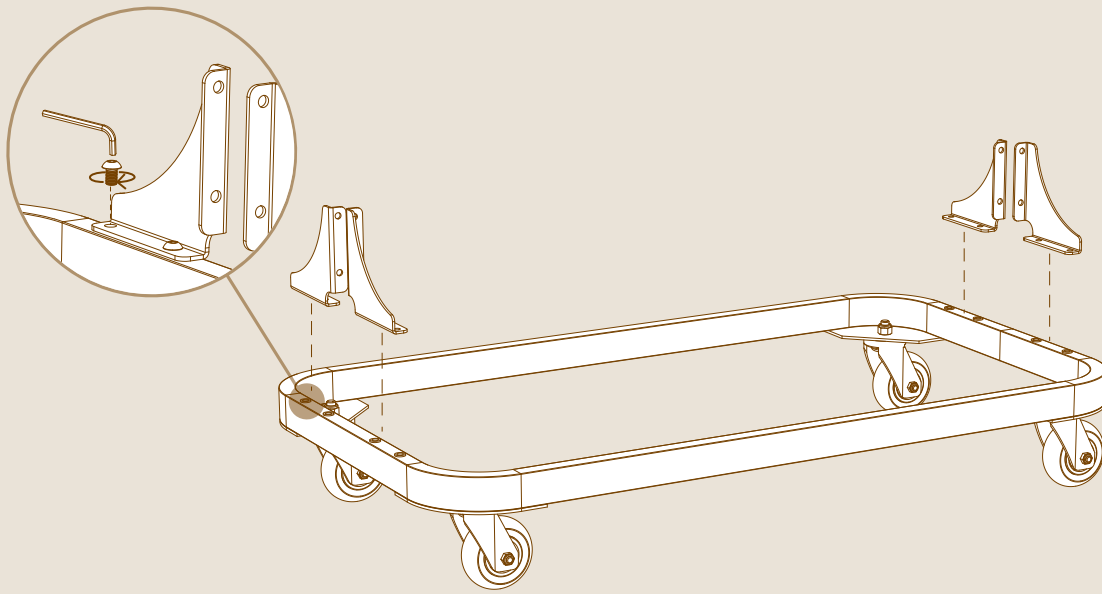
X4
CASTERS

ASSEMBLY

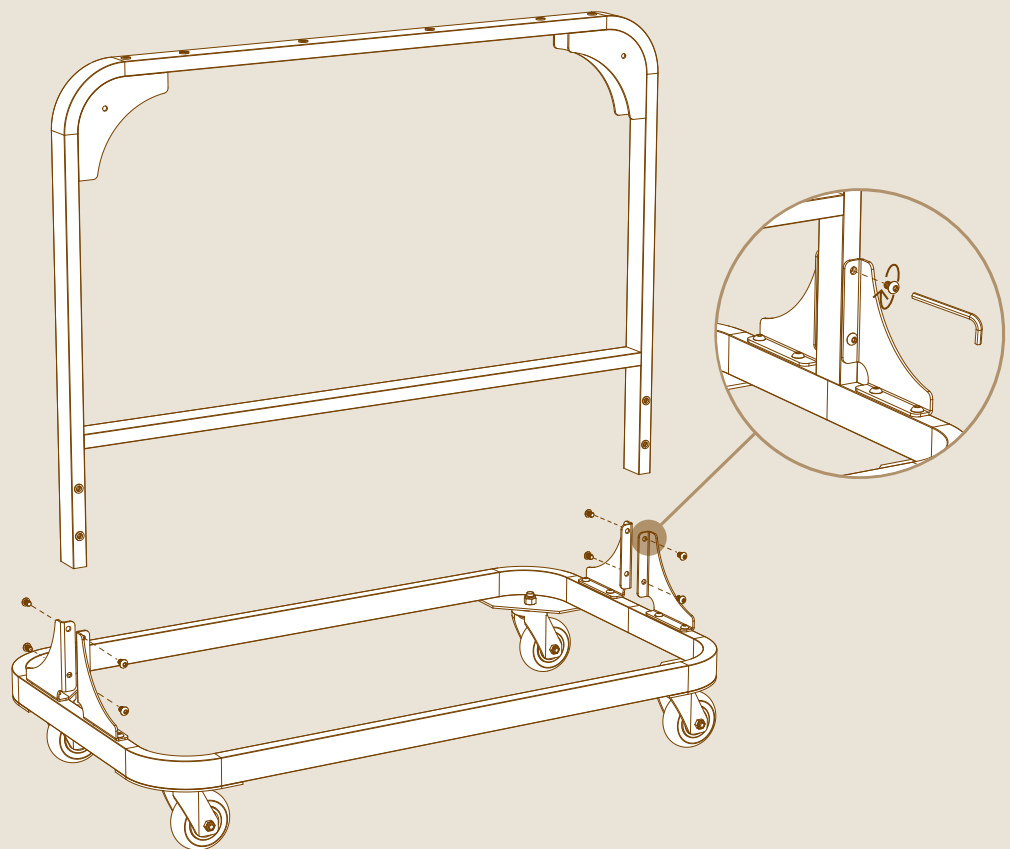
1



2 Keep frame angle screws loose.

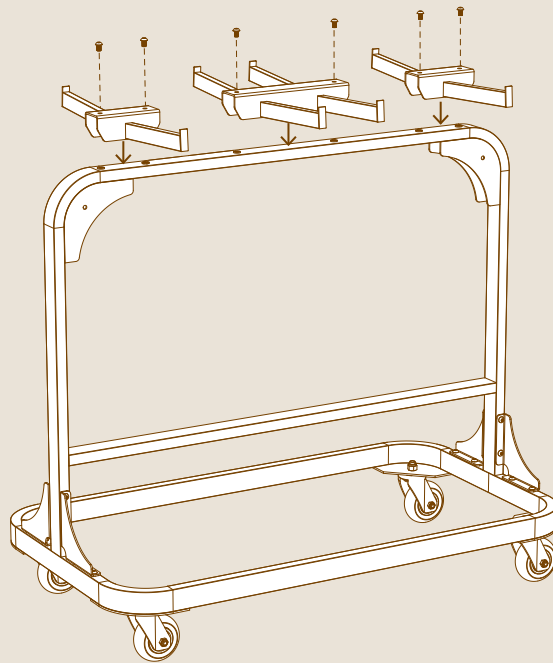


3 Adjust 4 frame angles to the vertical frame.

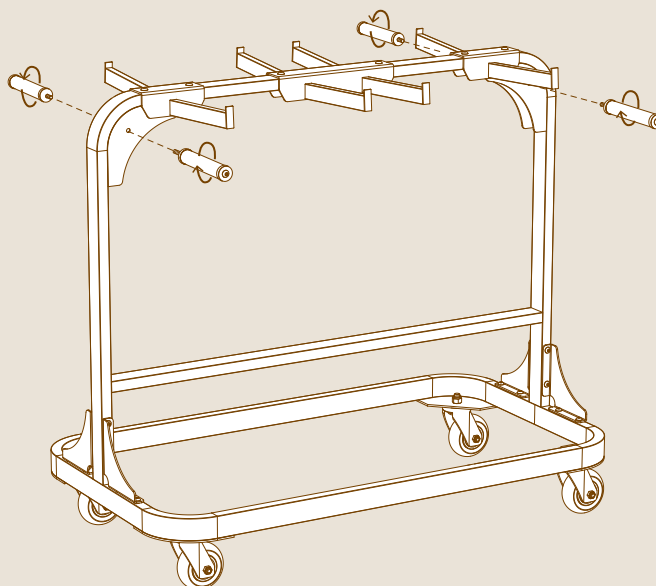


4 Tighten all screws.

5

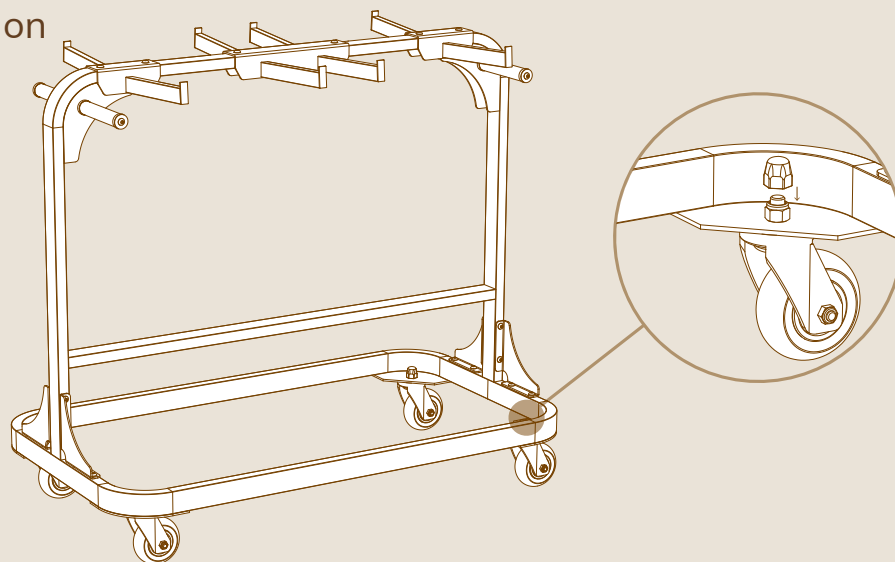


6



7

Add screw caps on
caster screws.



YOU'RE ALL DONE, WAY TO GO!