

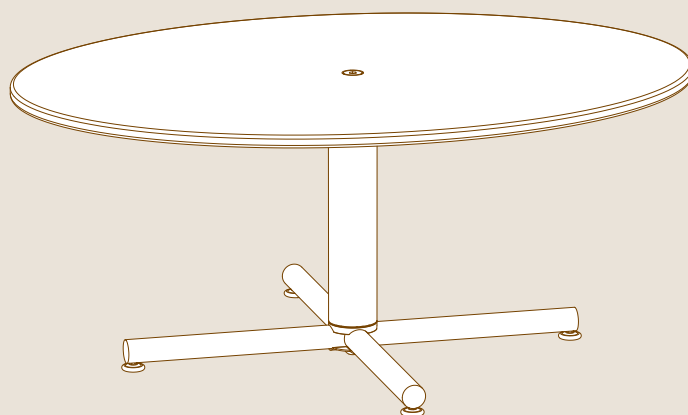
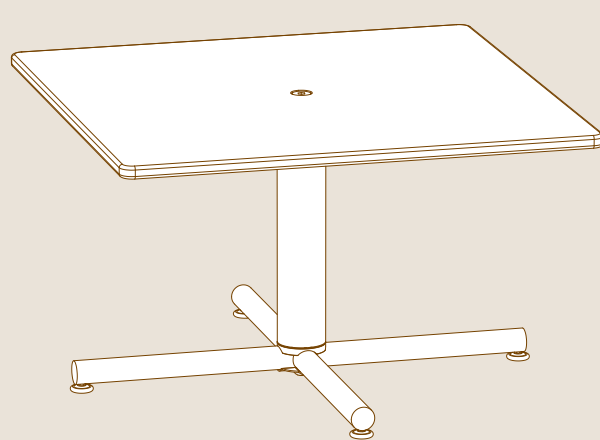
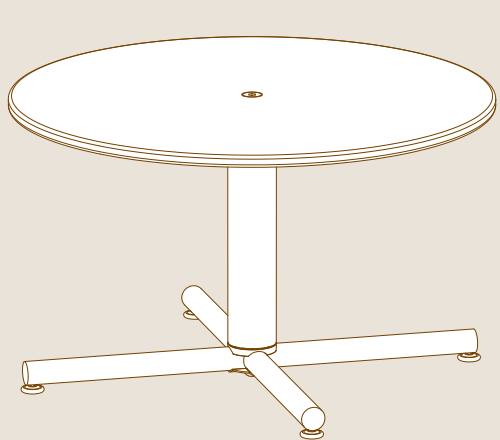
mogogo

POLO  
TABLES

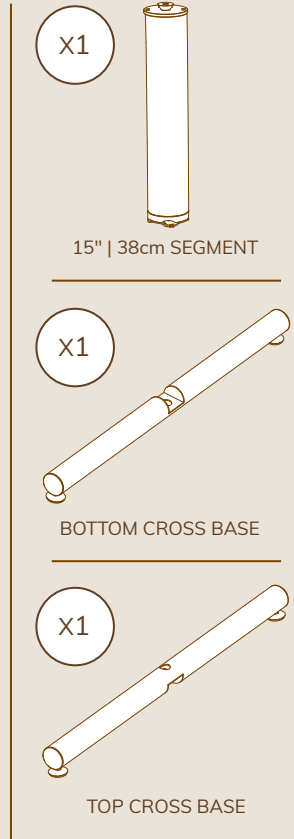
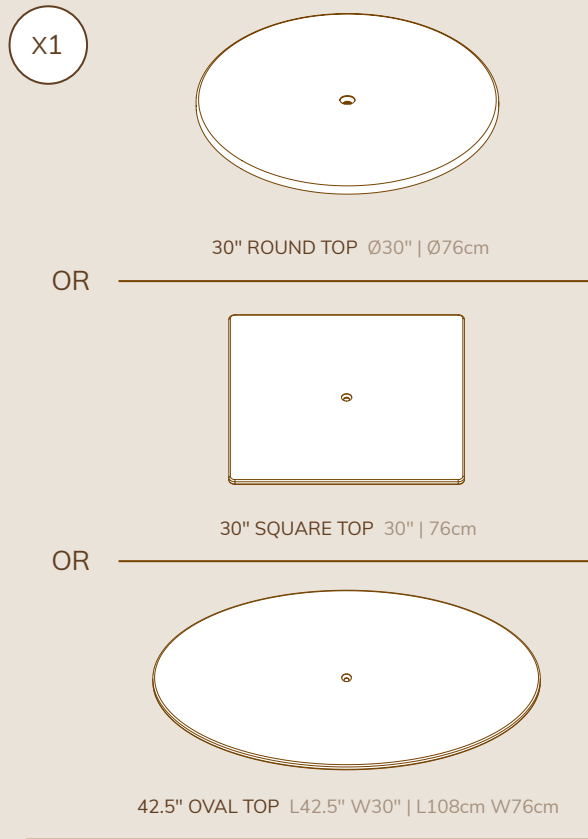
---

## COFFEE TABLES

### ASSEMBLY INSTRUCTIONS

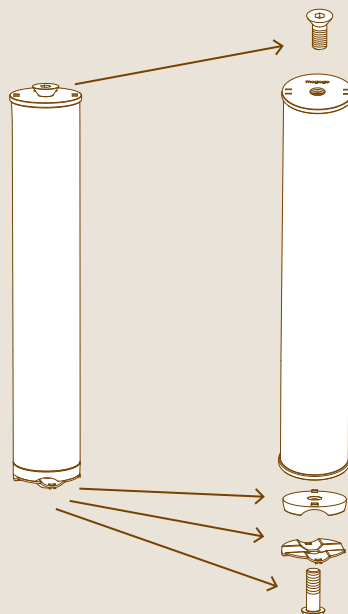


# PARTS



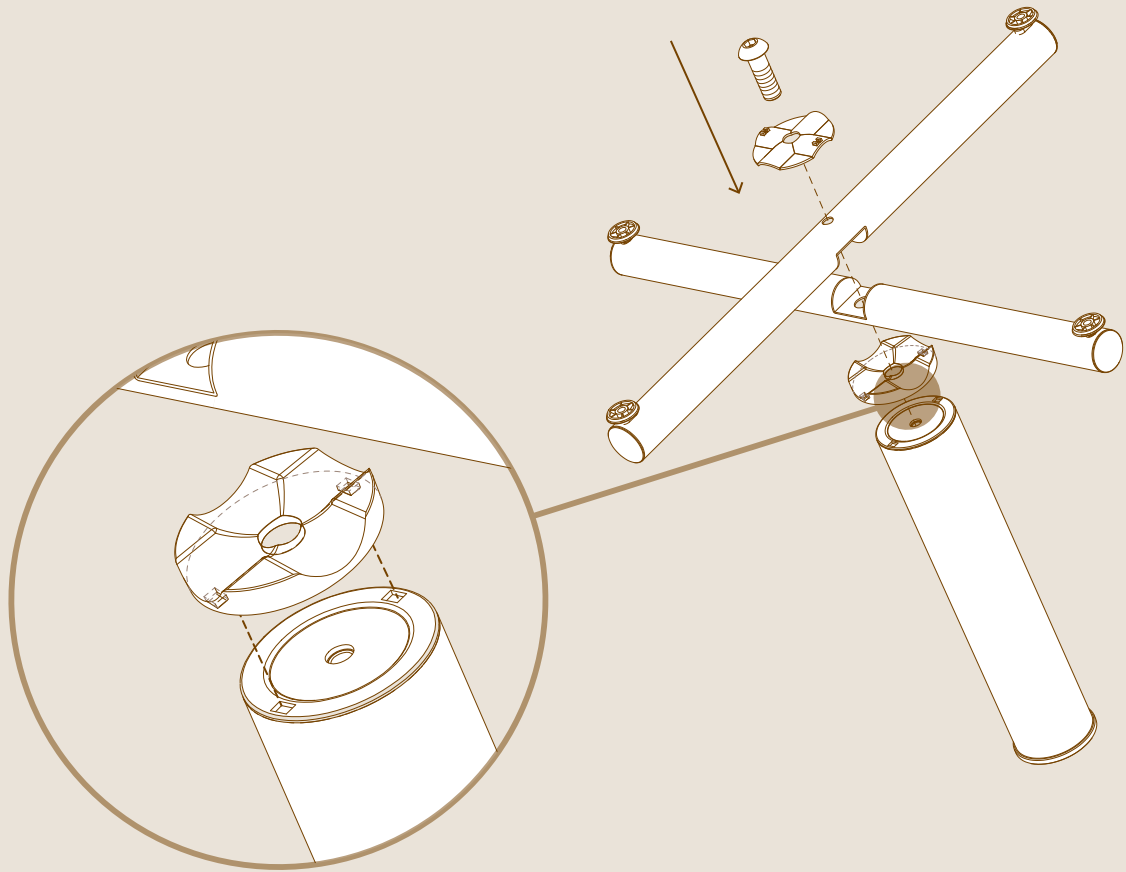
# ASSEMBLY

- 1 Unscrew the top and bottom screws to disassemble 15" segment into parts.

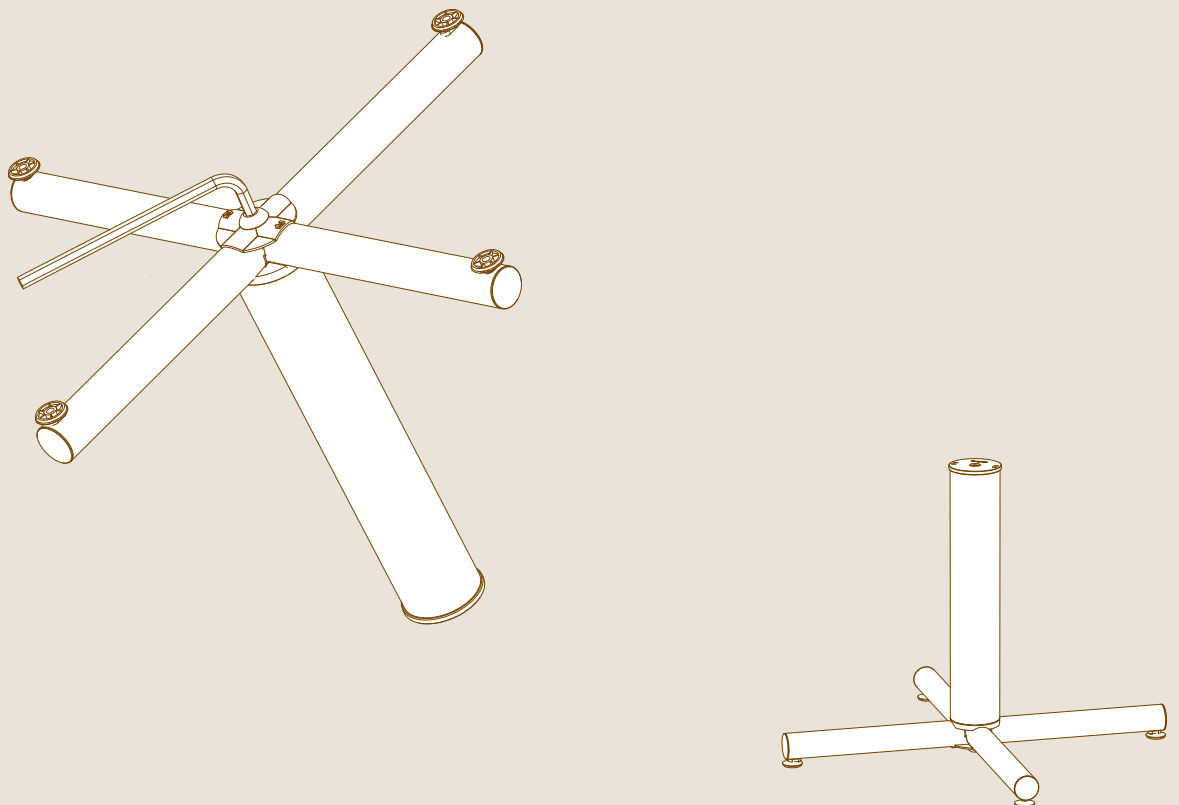


2

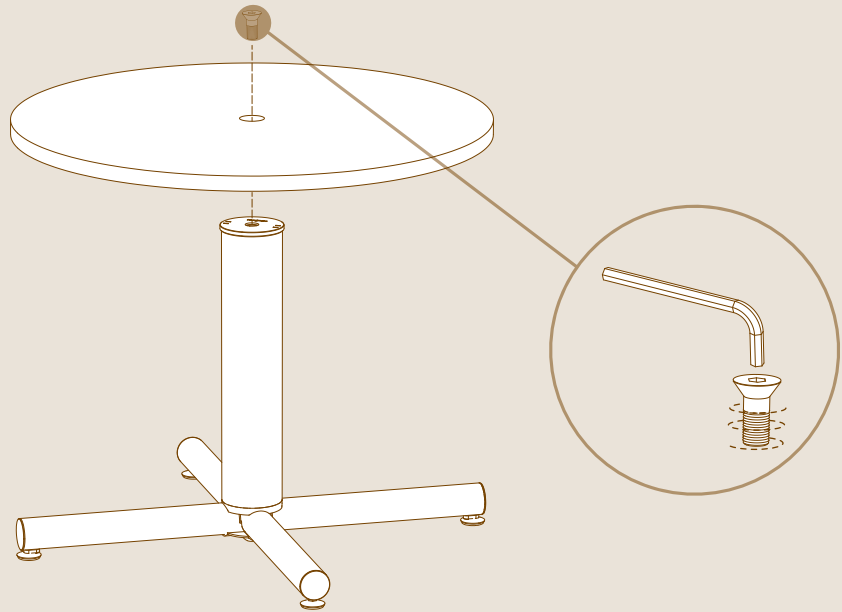
Make sure the pins are inserted into the main pole holes.



3

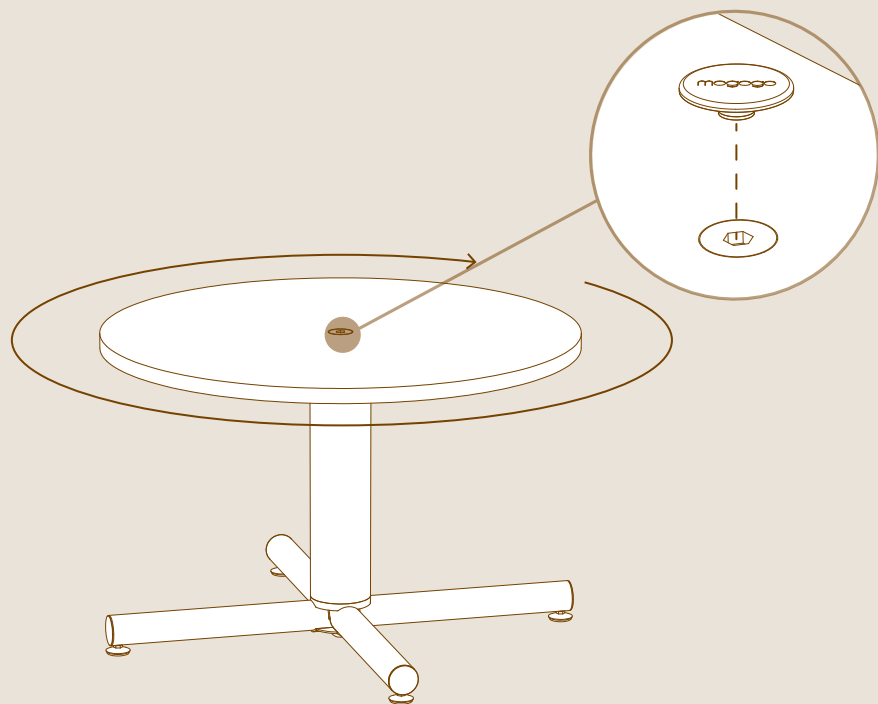


4



5

Tighten the tabletop by turning the plate clockwise by hand.



**YOU DID IT, WAY TO GO!**