

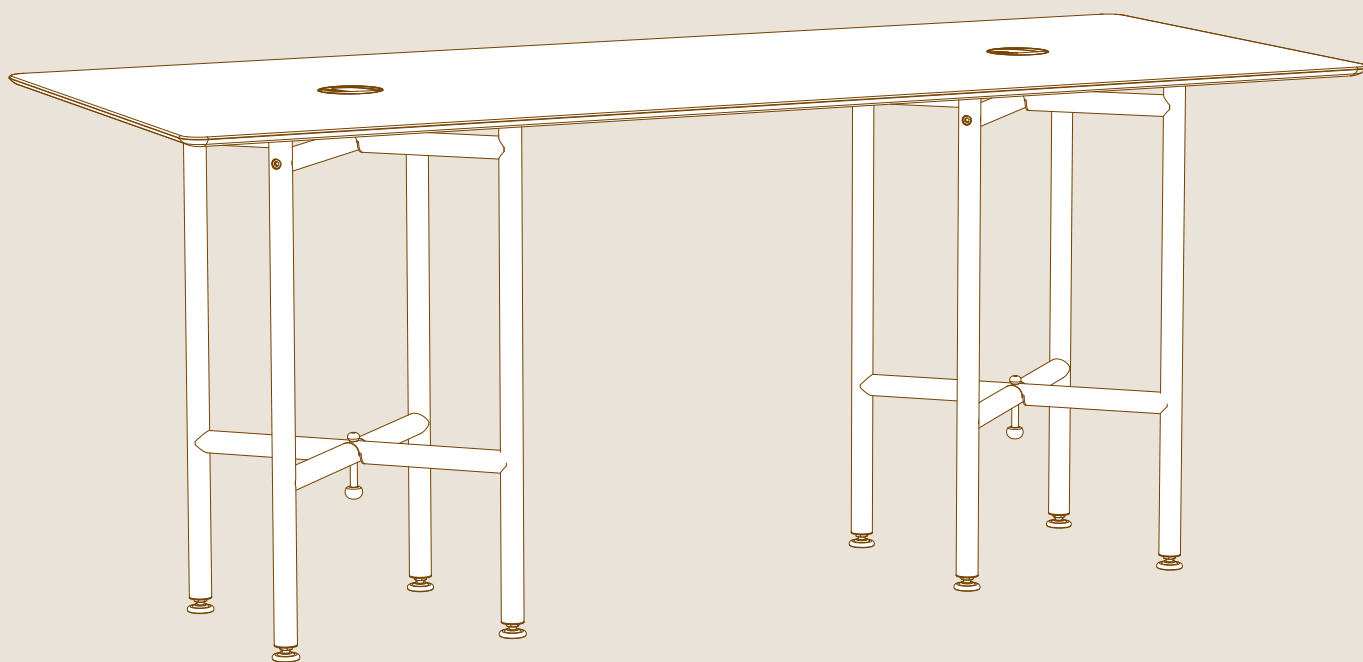
mogogo



TABLES

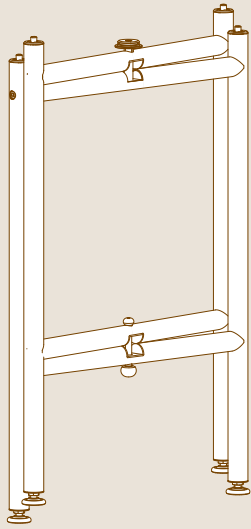
RECTANGLE TOP

ASSEMBLY INSTRUCTIONS



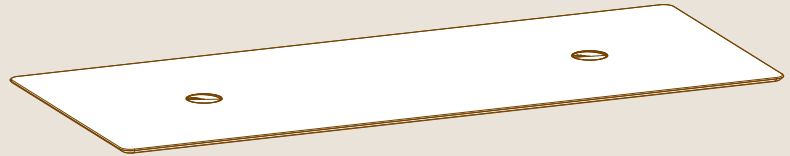
PARTS

x2



CLIX BASES

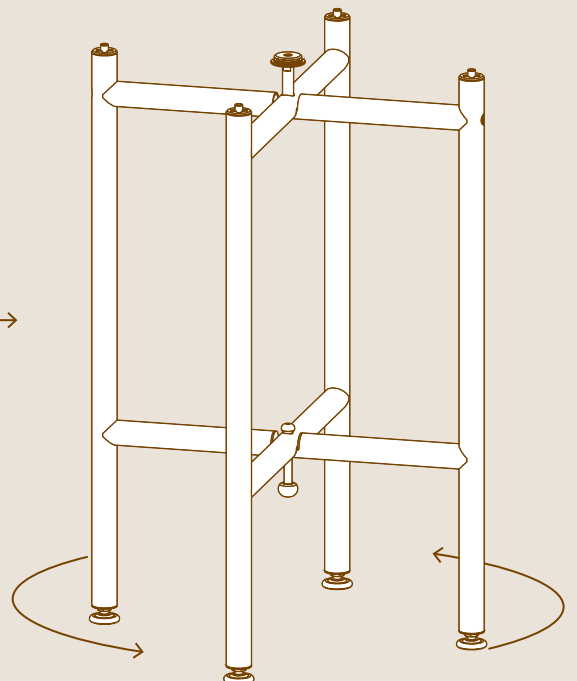
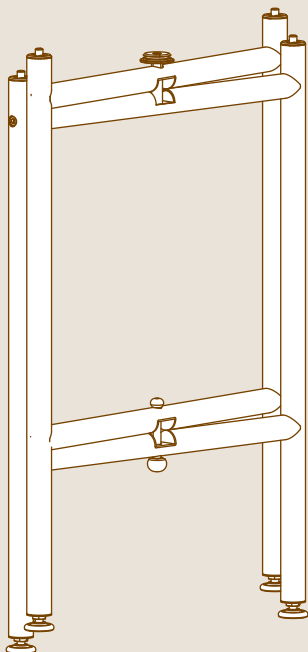
x1



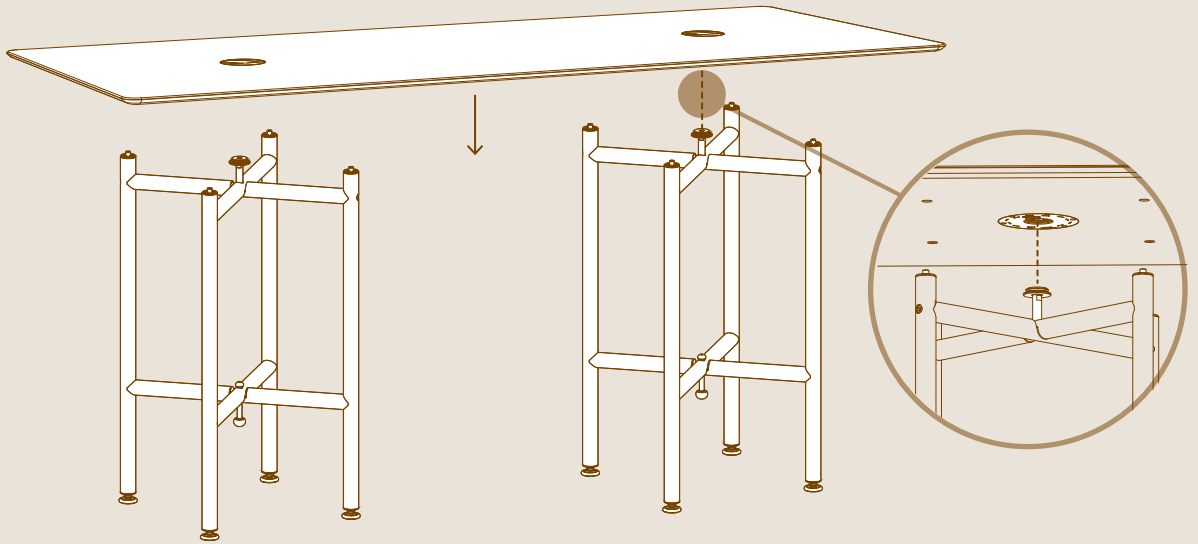
RECTANGLE HPL TOP

ASSEMBLY

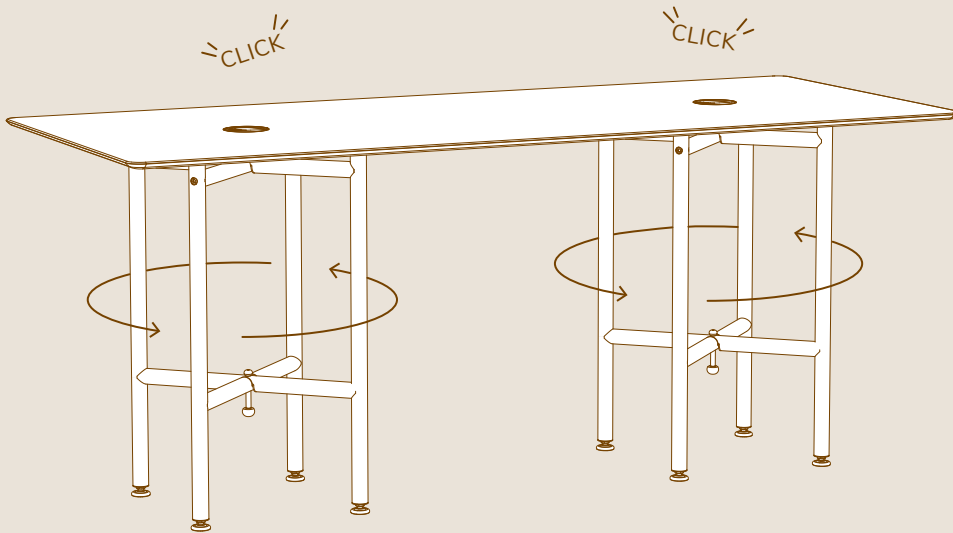
1



2

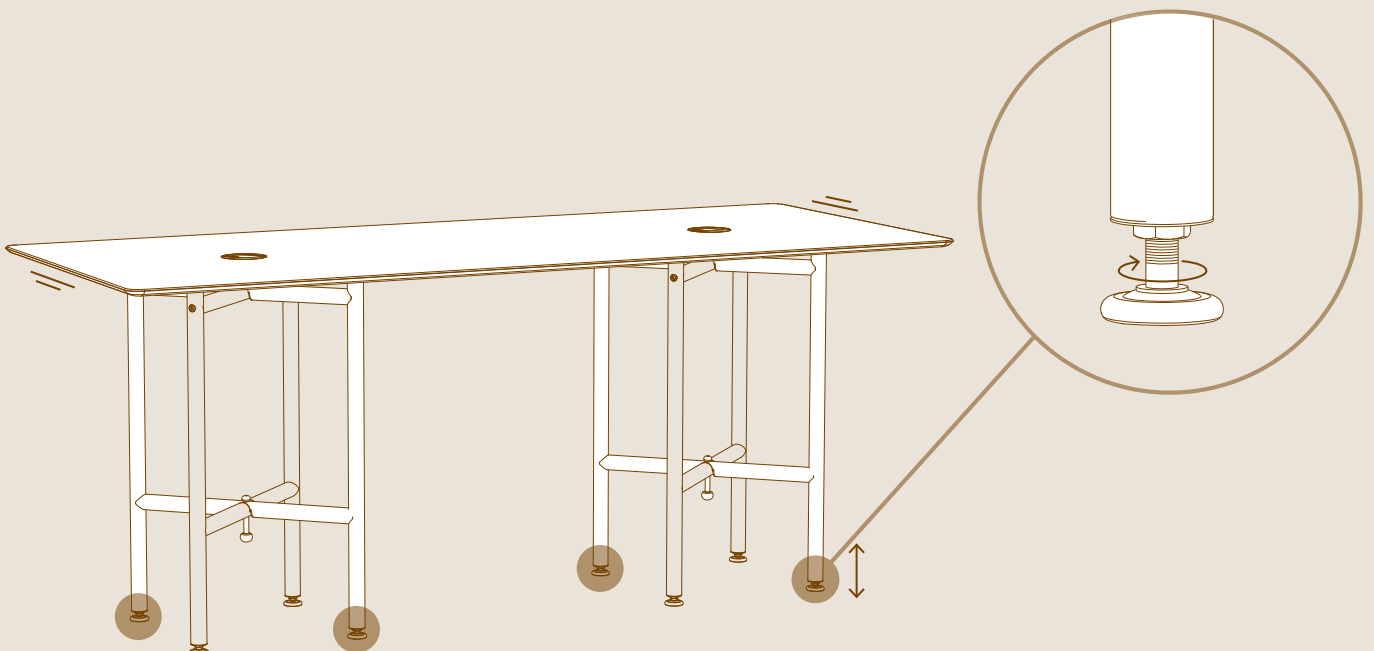


3



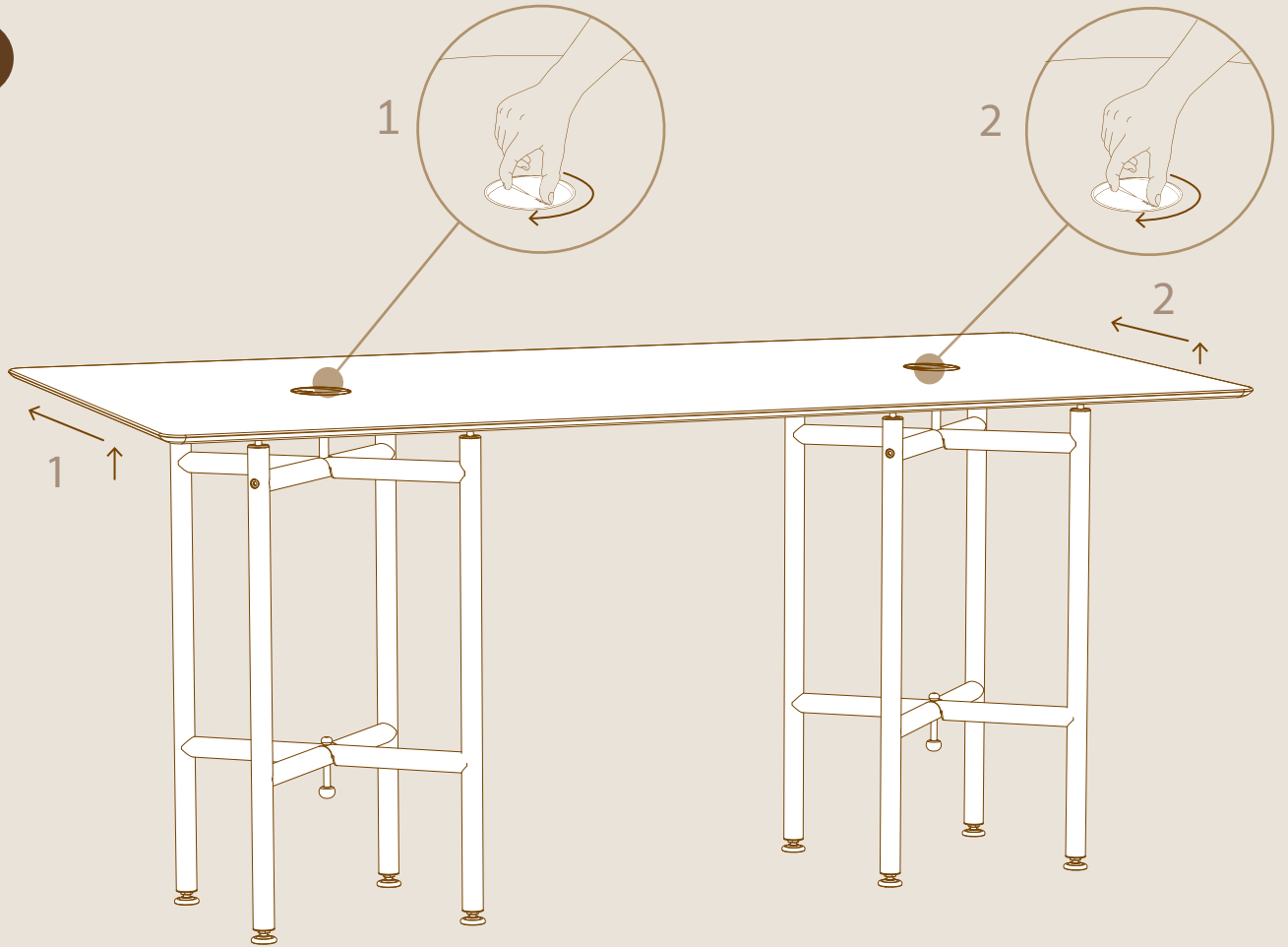
4

In order to level a wobbly tabletop, adjust the leg levelers height only on the top cross legs.

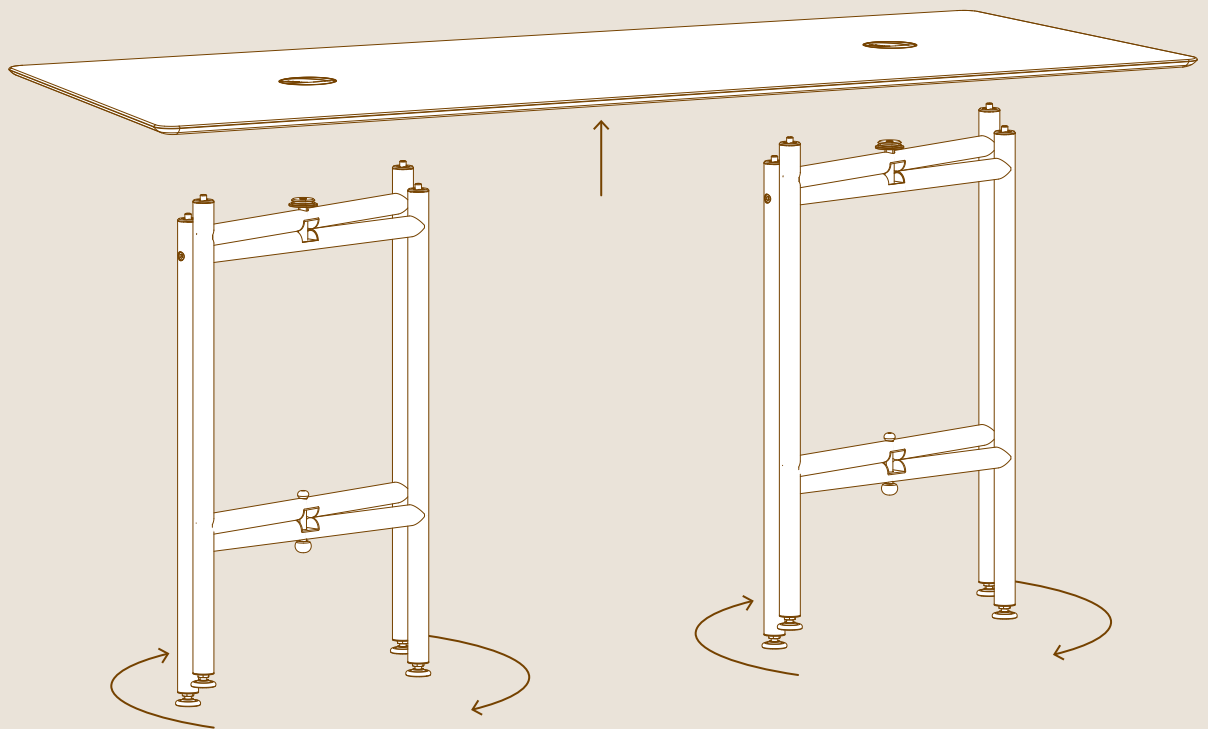


DISASSEMBLY

1



2



JOB WELL DONE, WAY TO GO!