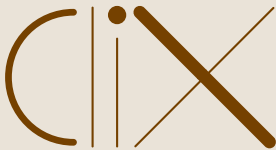


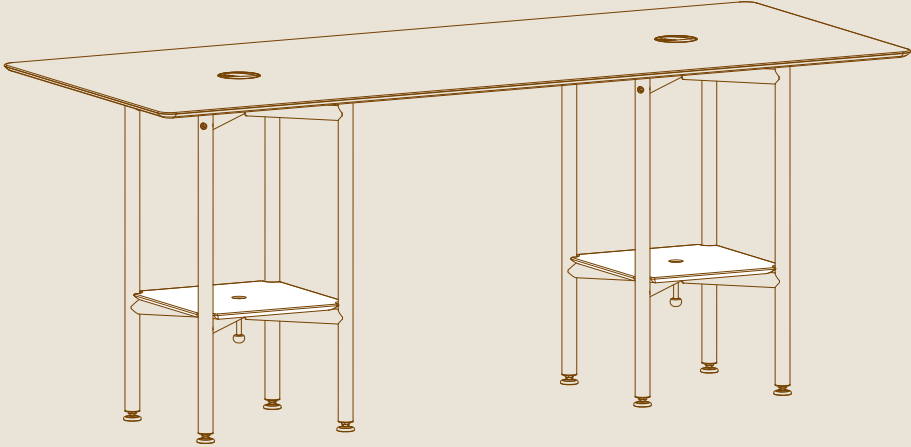
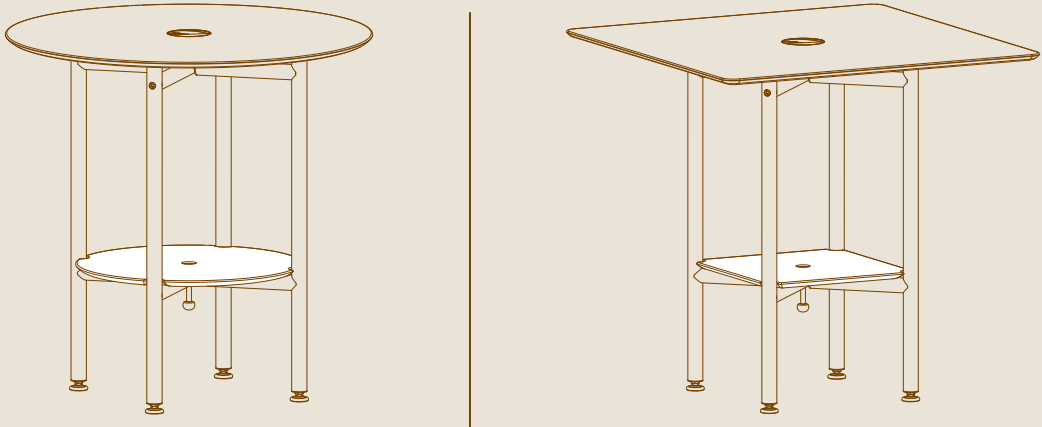
mogogo



TABLES

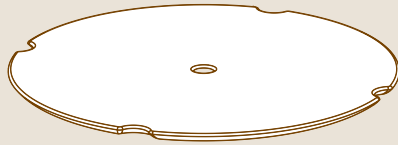
BOTTOM SHELVES

ASSEMBLY INSTRUCTIONS



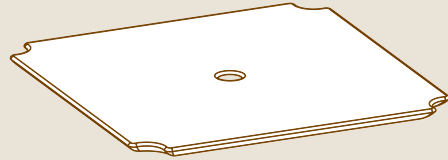
PARTS

x1



ROUND HPL BOTTOM SHELF

OR



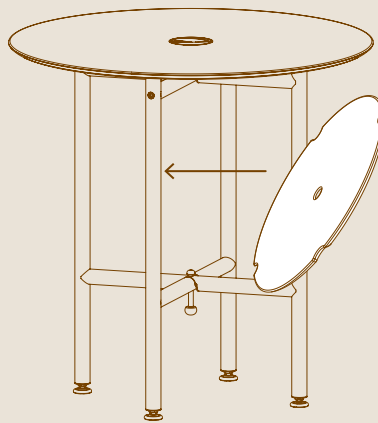
SQUARE HPL BOTTOM SHELF

*

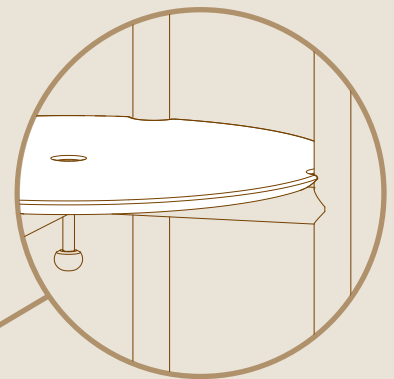
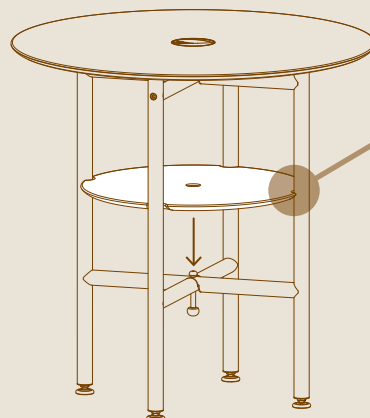
For rectangle table, use 2 hpl bottom shelves

ASSEMBLY

1



2



YOU'RE ALL DONE, WAY TO GO!