

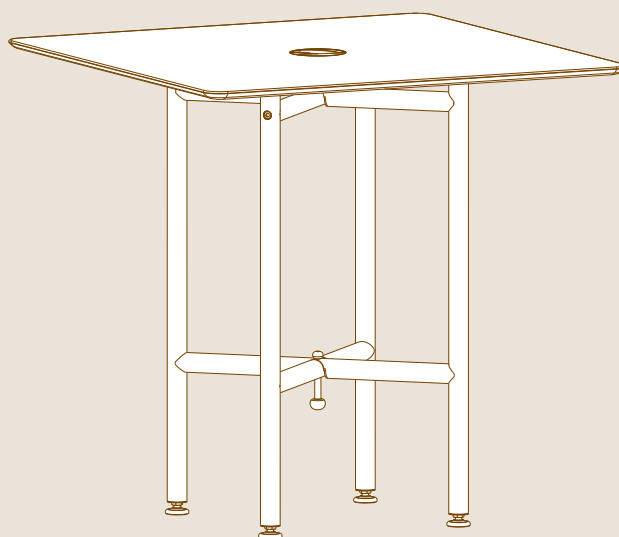
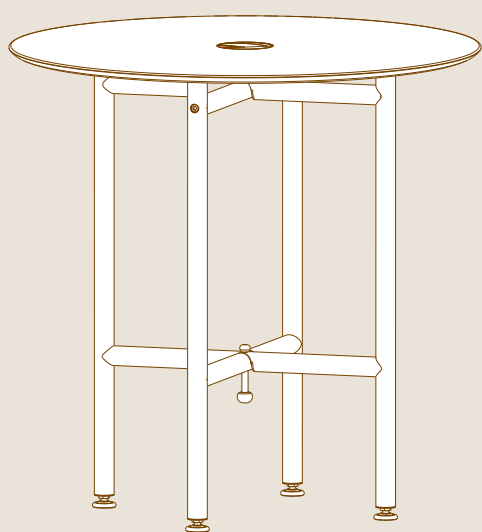
mogogo



TABLES

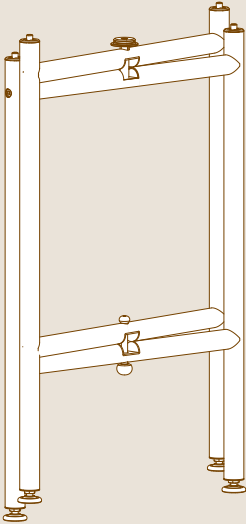
ROUND / SQUARE TOPS

ASSEMBLY INSTRUCTIONS



PARTS

x1



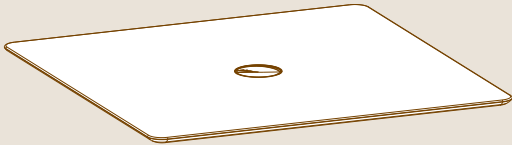
CLIX BASE

x1



ROUND HPL TOP

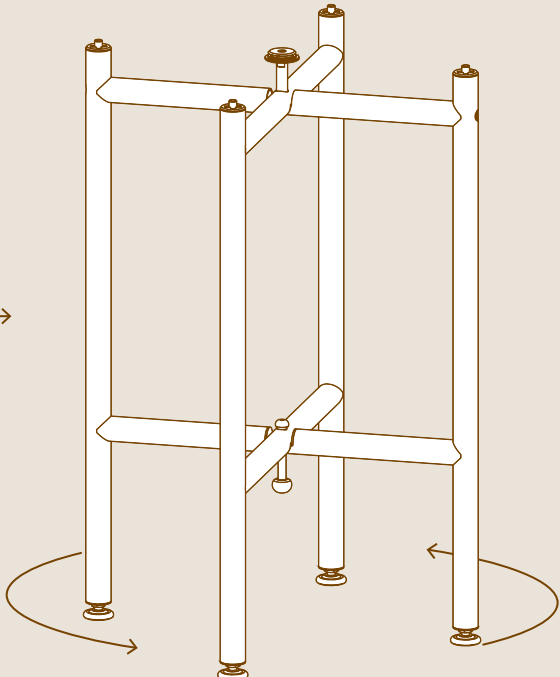
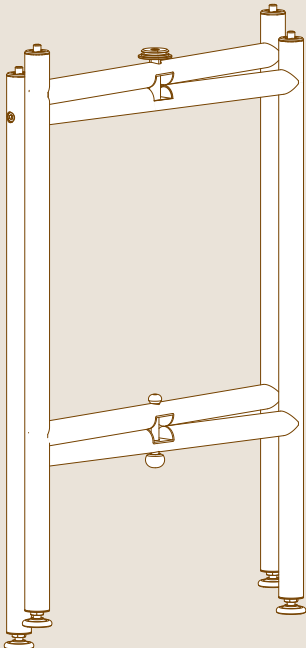
OR



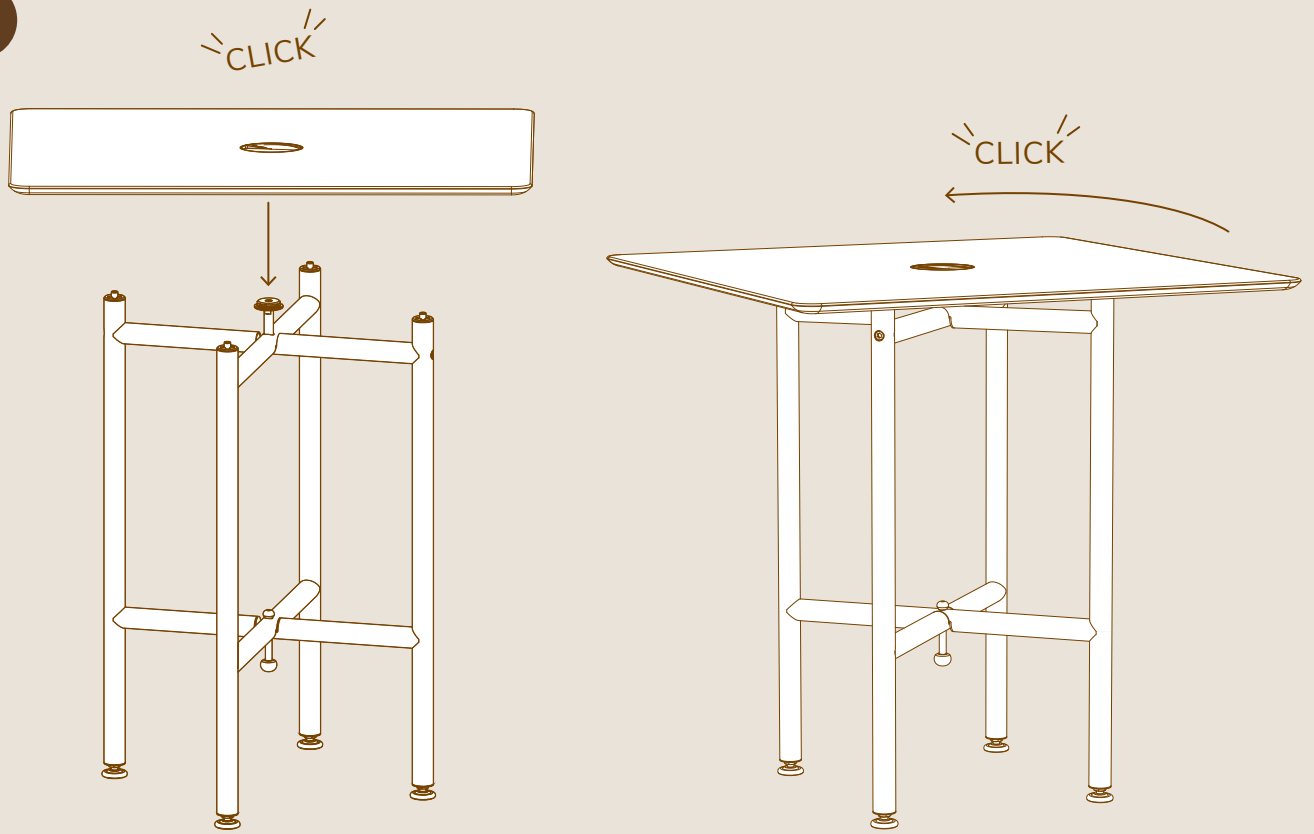
SQUARE HPL TOP

ASSEMBLY

1

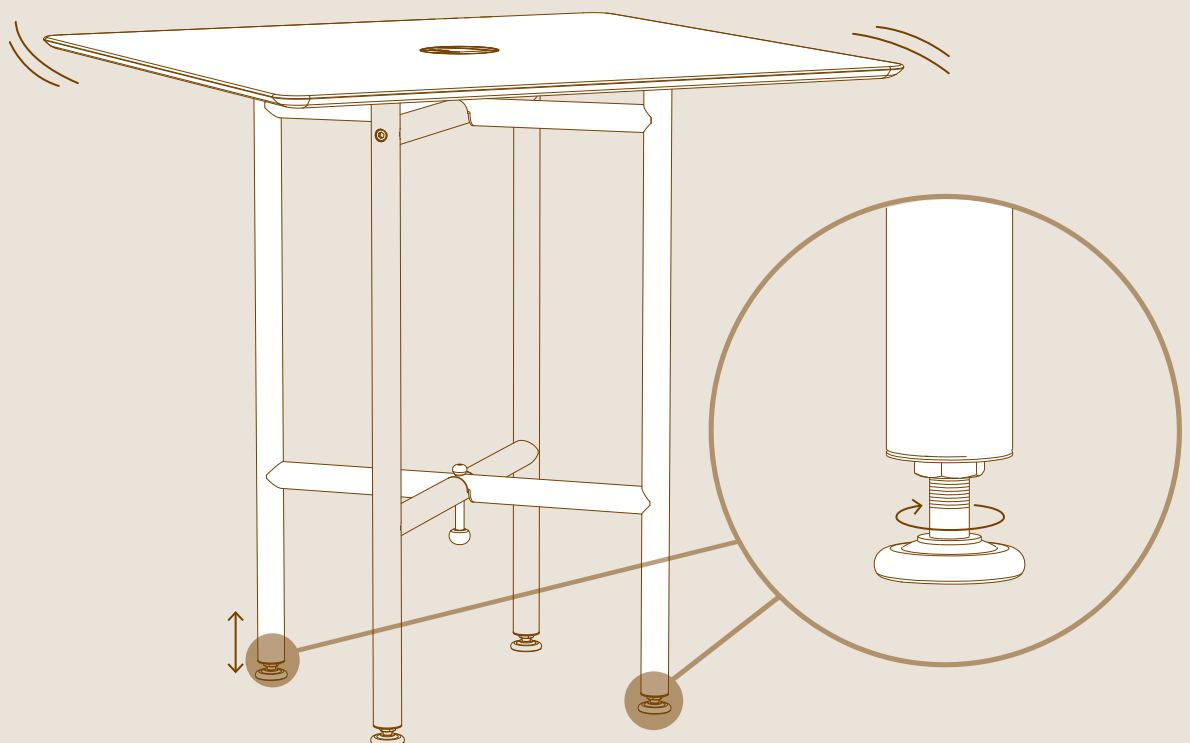


2



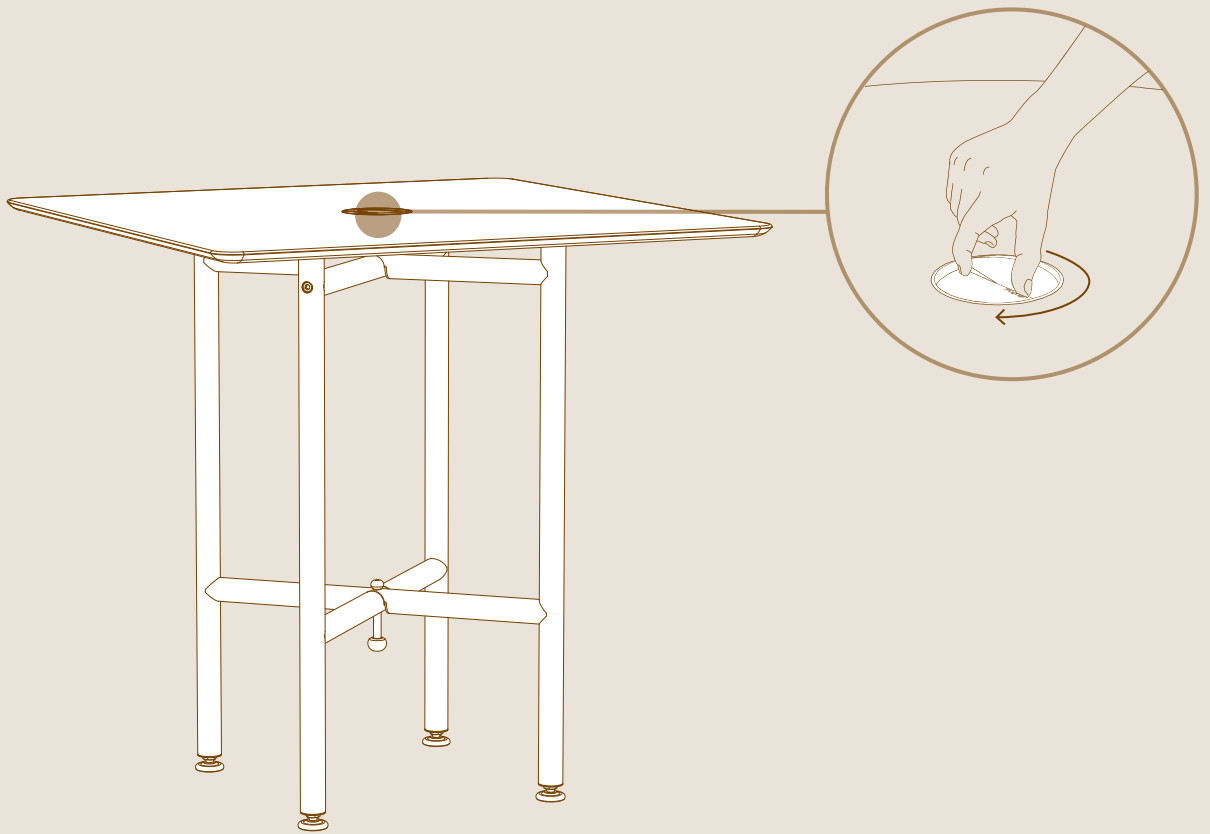
3

In case of a wobbly tabletop, adjust the leg levelers height only on the top cross legs.

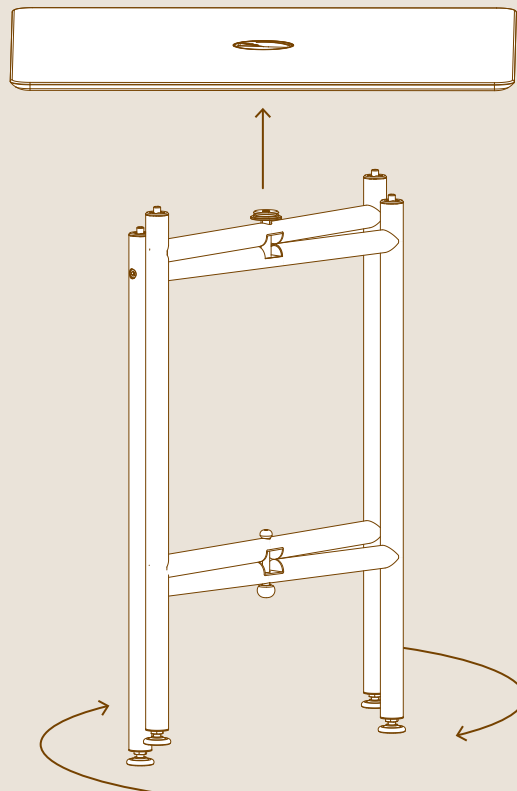


DISASSEMBLY

1



2



GREAT JOB, YOUR GOOD TO GO!