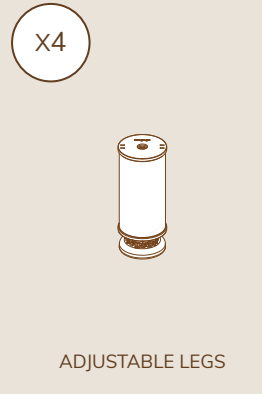
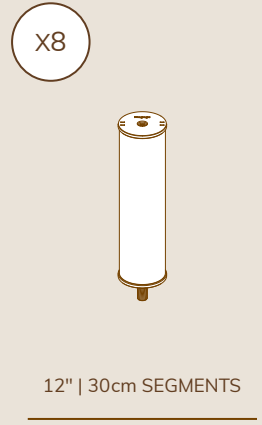
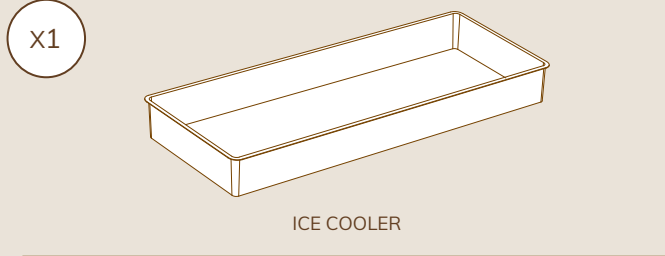
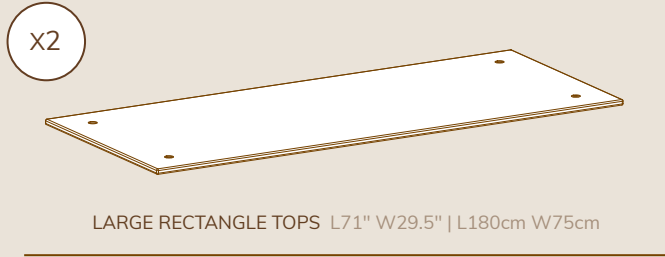
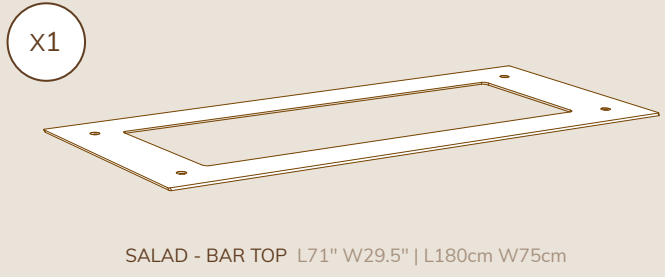


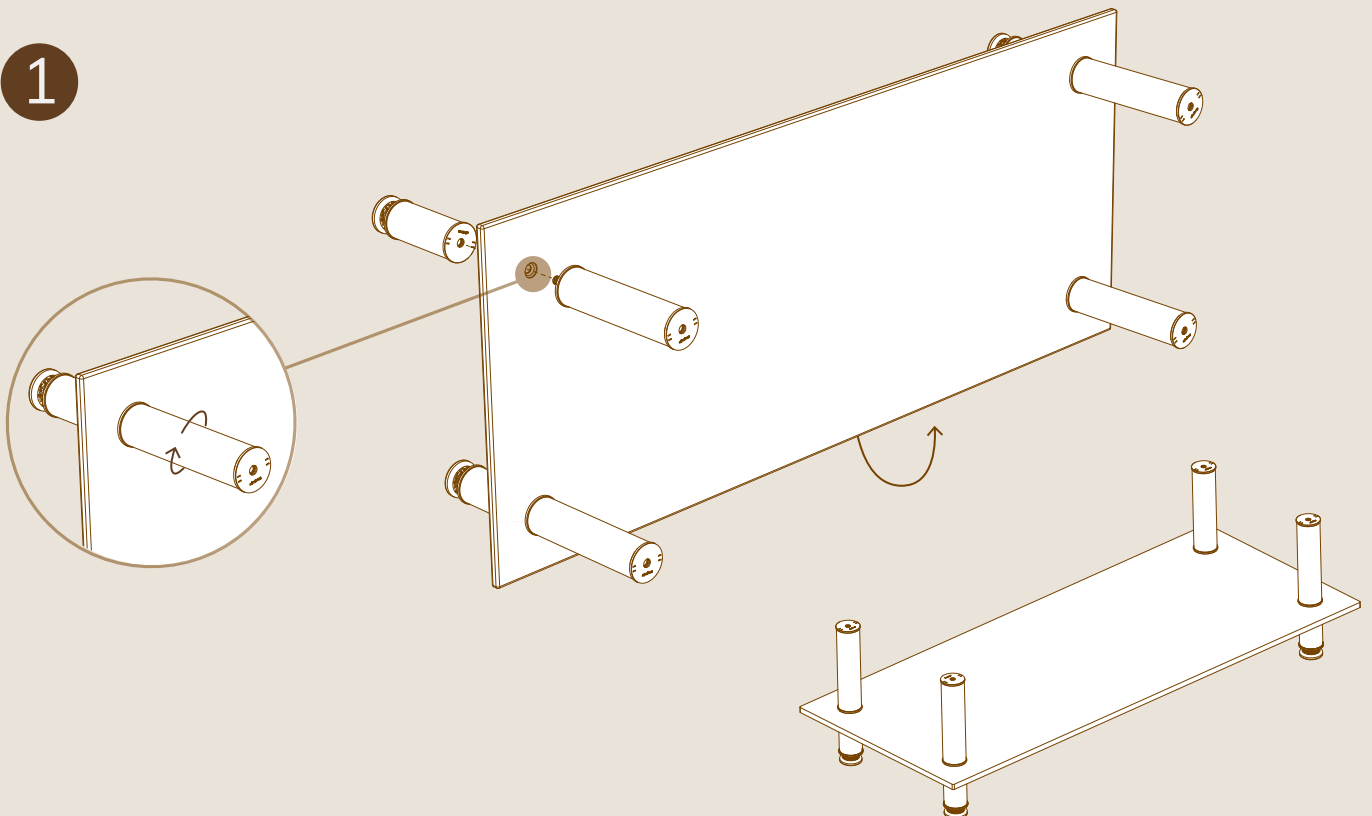


# PARTS

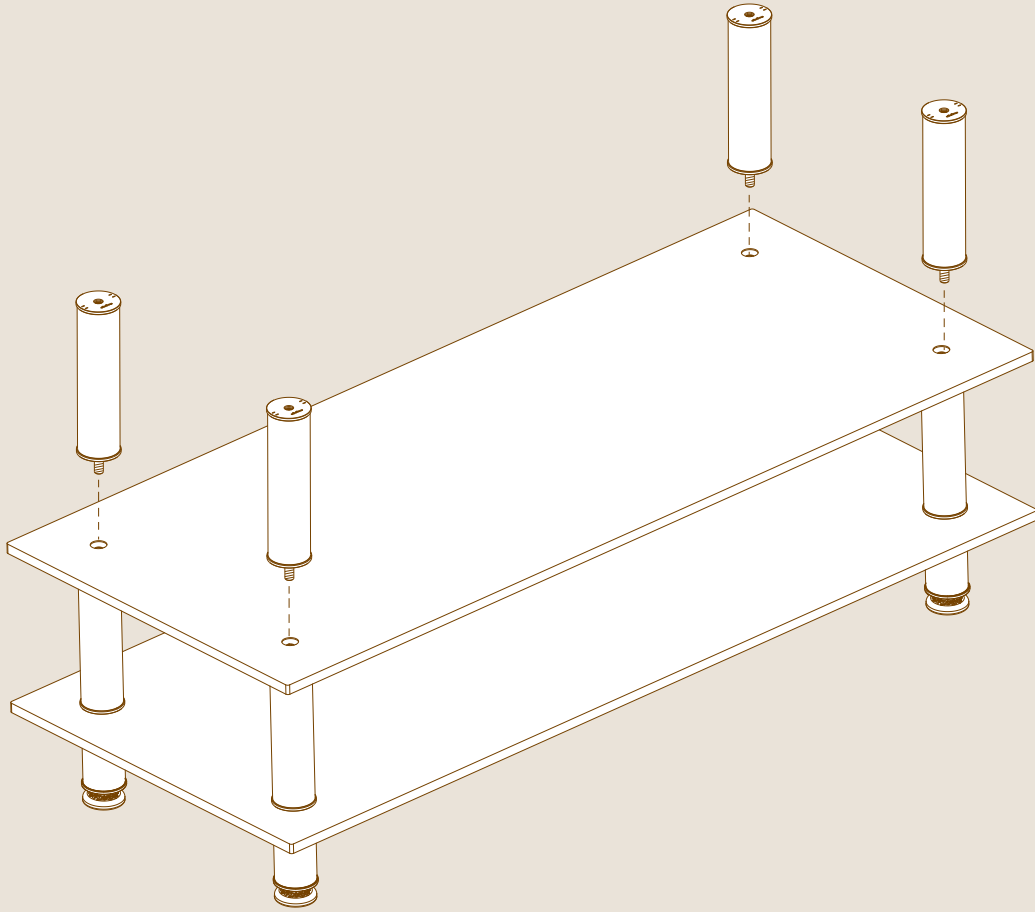


# ASSEMBLY

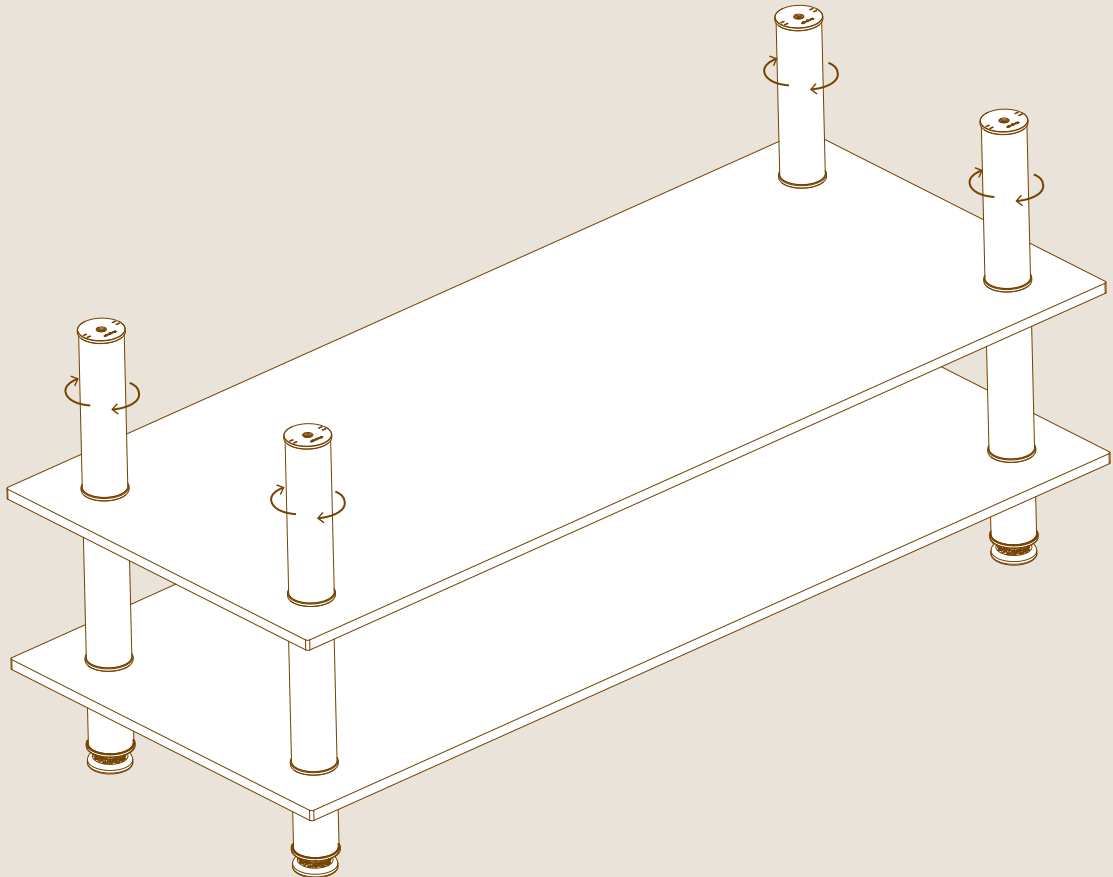
1



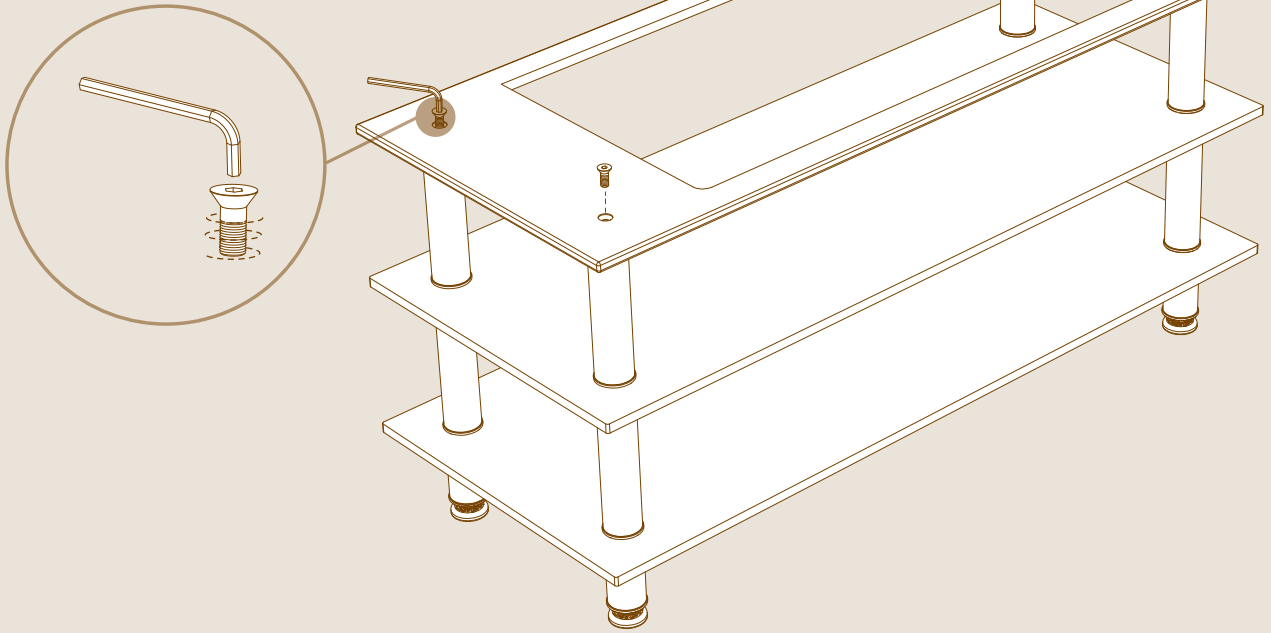
2



3

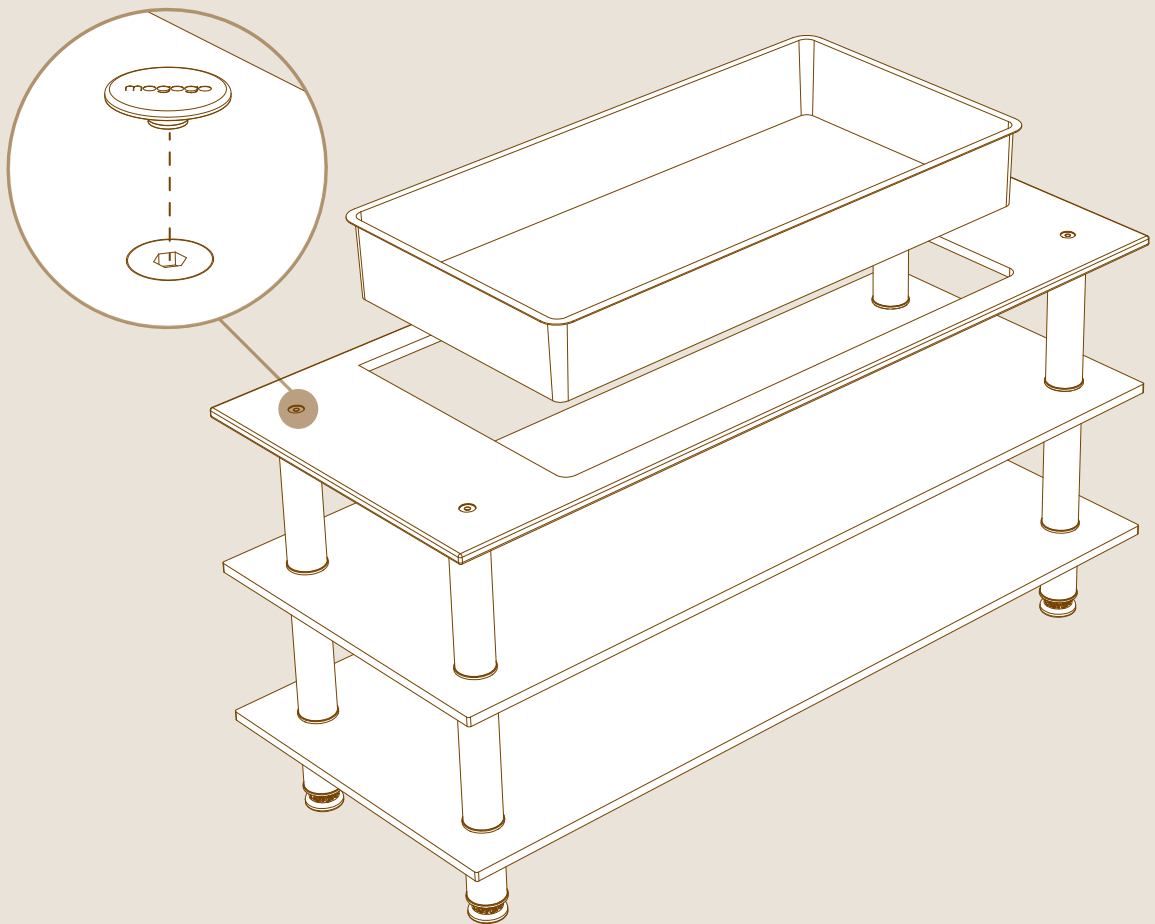


4



5

\* Optional Quick-Covers are recommended.



**MISSION ACCOMPLISHED, WAY TO GO!**