

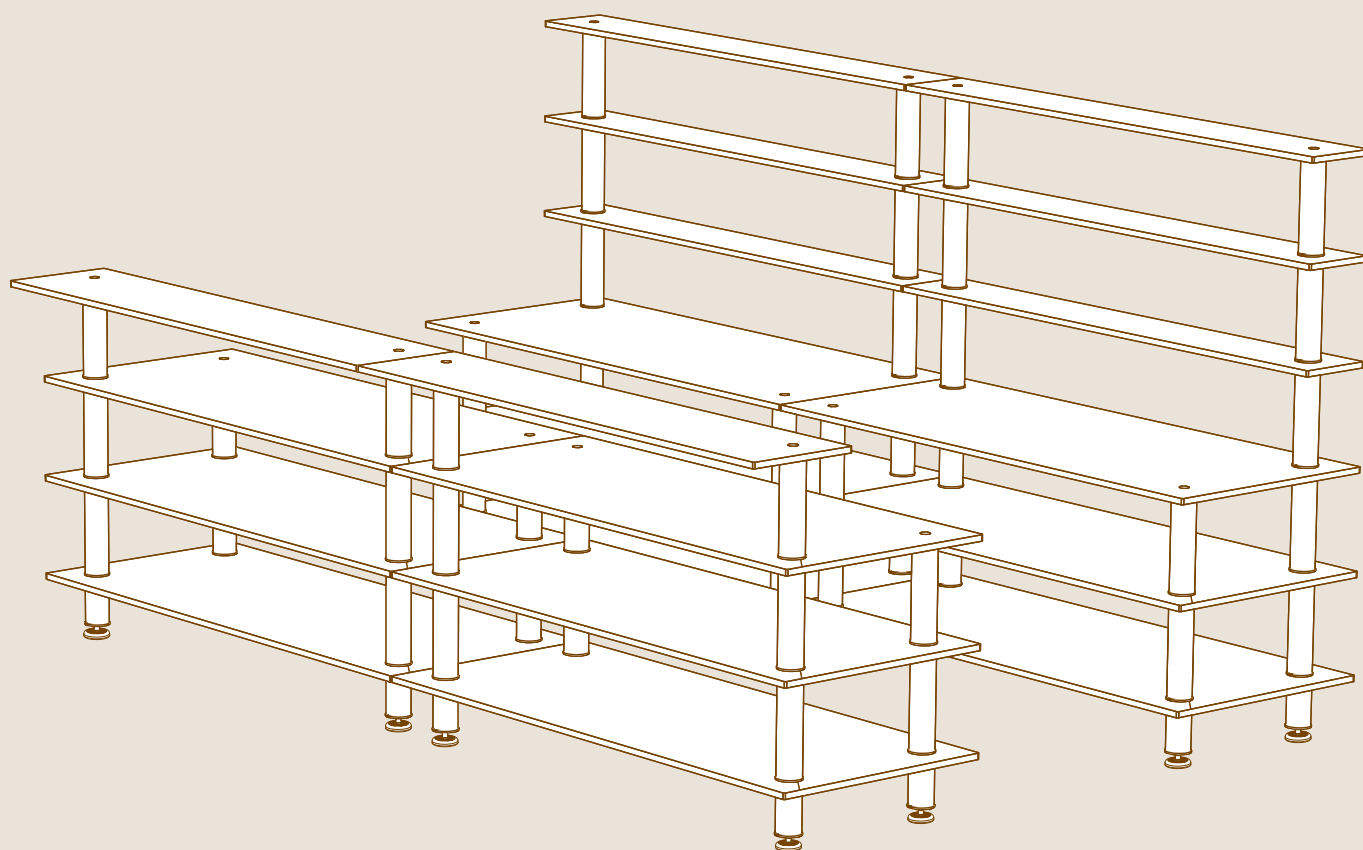
mogogo

# Modular

SYSTEM

## DOUBLE BAR STATION

ASSEMBLY INSTRUCTIONS



# PARTS

X1



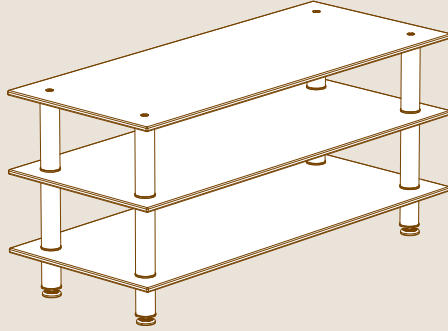
ALLEN KEY FOR M16

X16



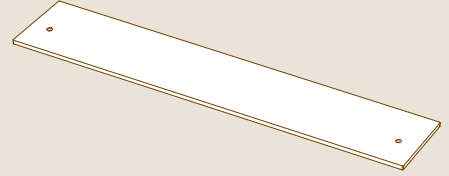
12" | 30cm SEGMENTS

X4



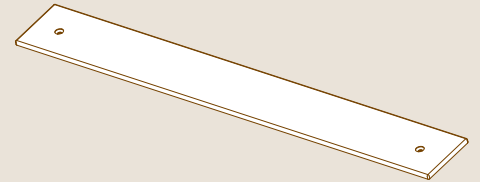
LARGE CLASSIC UNIT  
L71" W29.5" | L180cm W75cm

X2



LARGE BAR SHELF L71" W14.5" | L180cm W37cm

X6



LARGE SHELF L71" W9.5" | L180cm W24cm

# ASSEMBLY

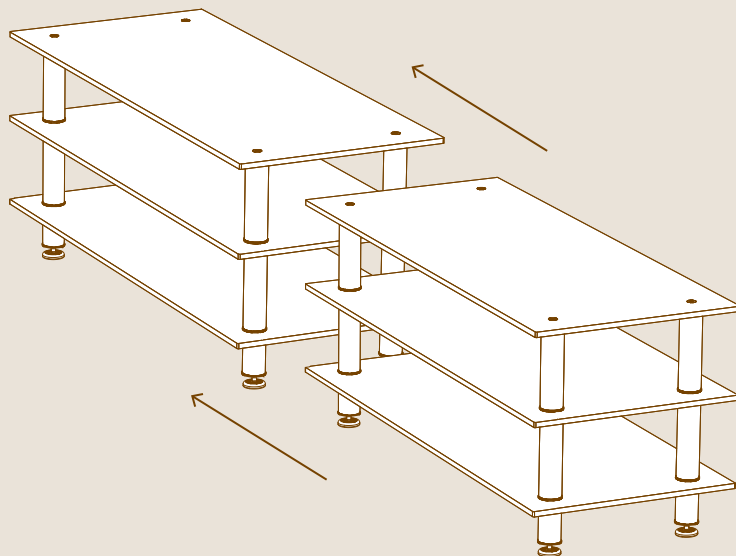
1

Build 4 Large Classic Units.

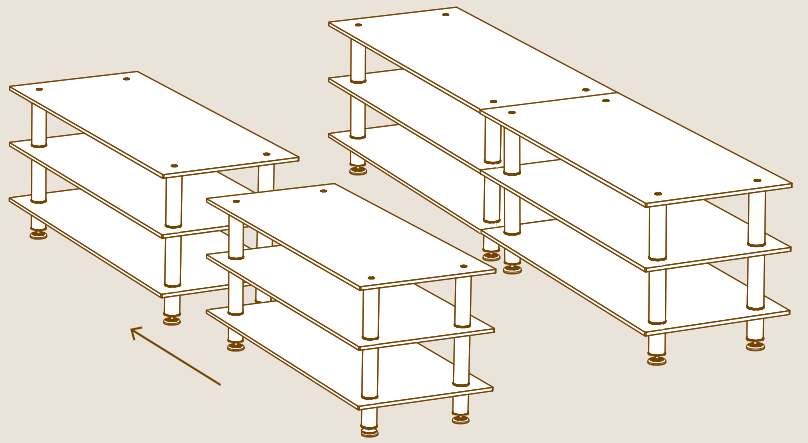
See "Small | Medium | Large Classic Unit" assembly instructions.

2

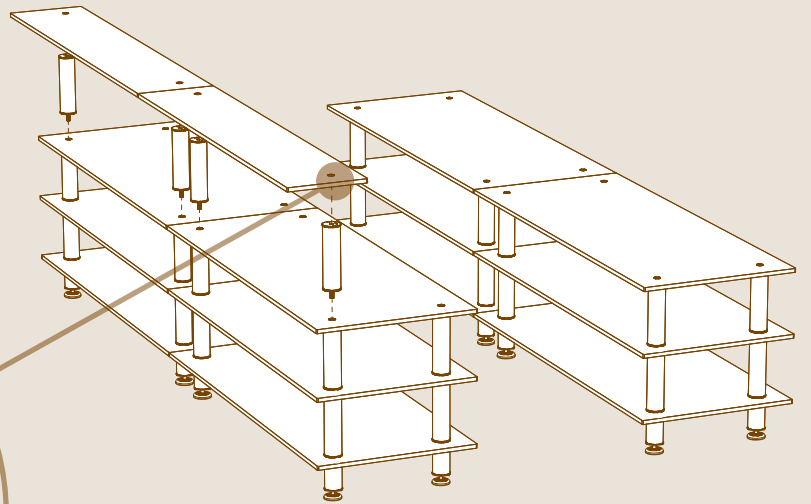
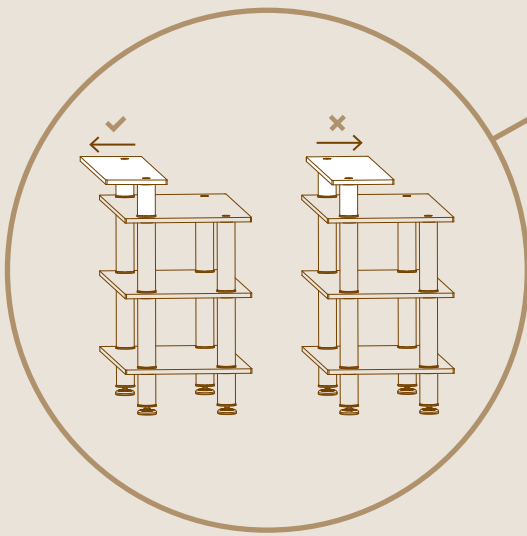
Join 2 large units.



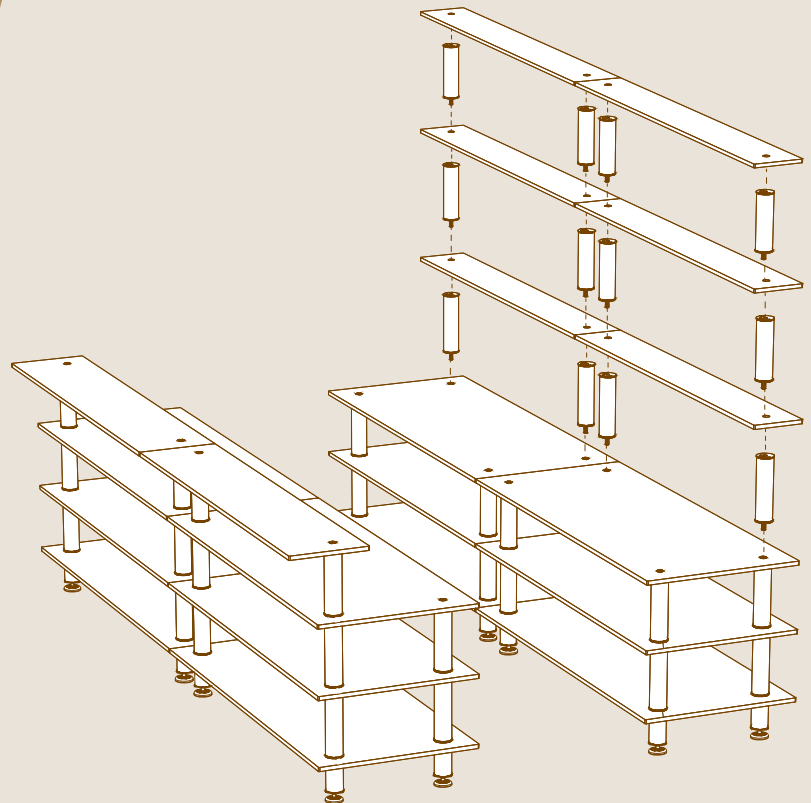
3 Join together 2 more large units in front of the previous units.



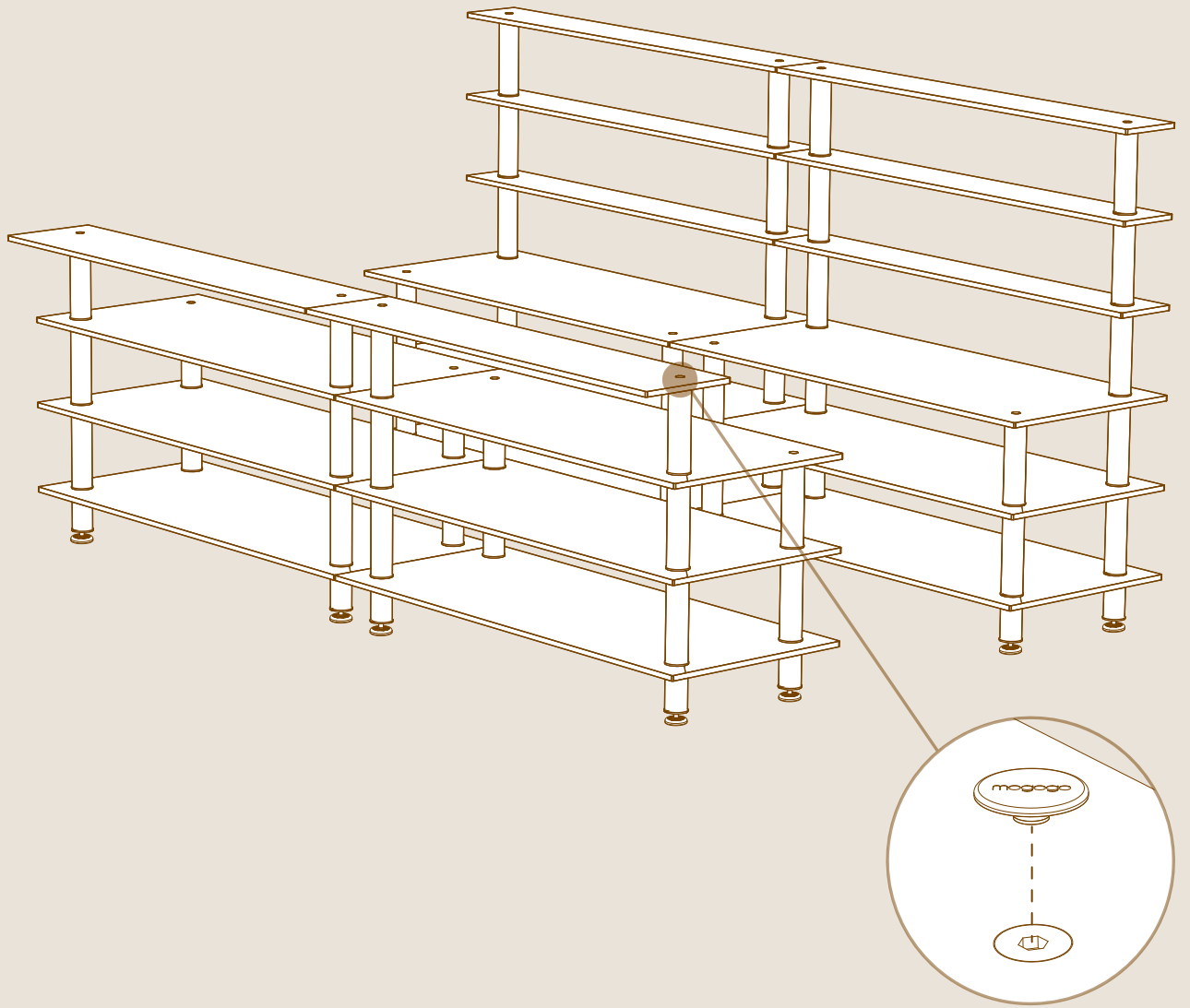
4



5



6



**YOU DID IT, WAY TO GO!**