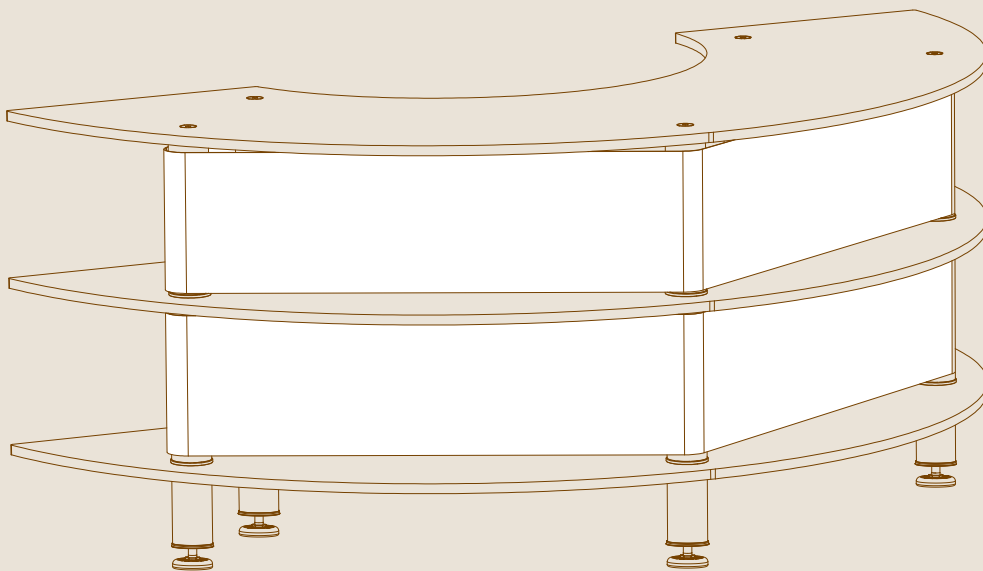


mogogo

Modular  
SYSTEM

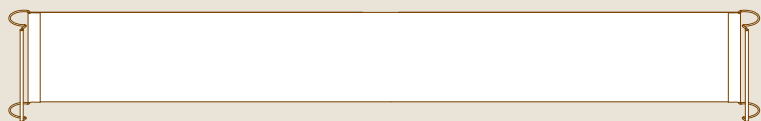
---

**QUICK COVER  
FOR CREATIVE CURVED UNIT**  
ASSEMBLY INSTRUCTIONS



# PARTS

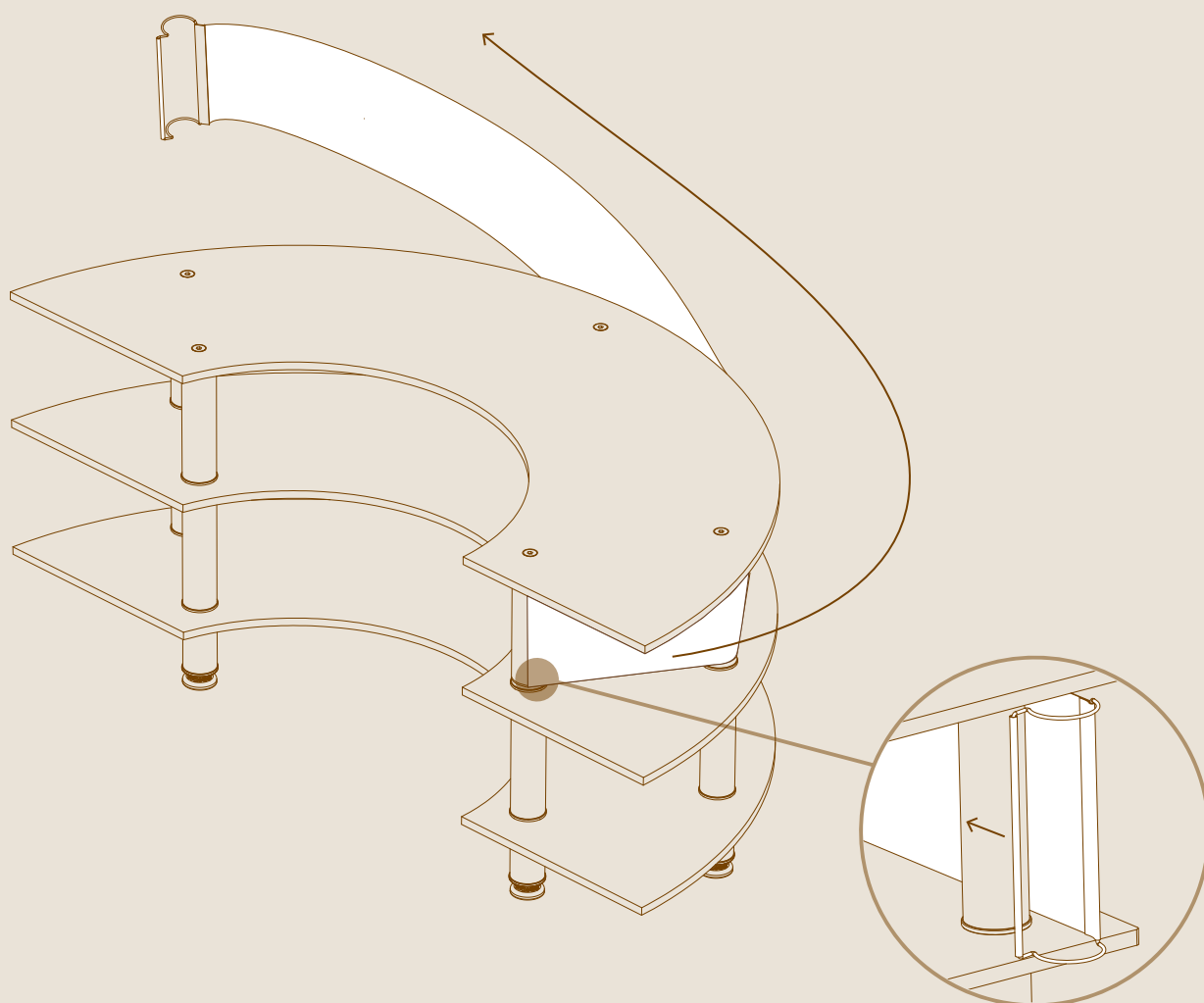
x2



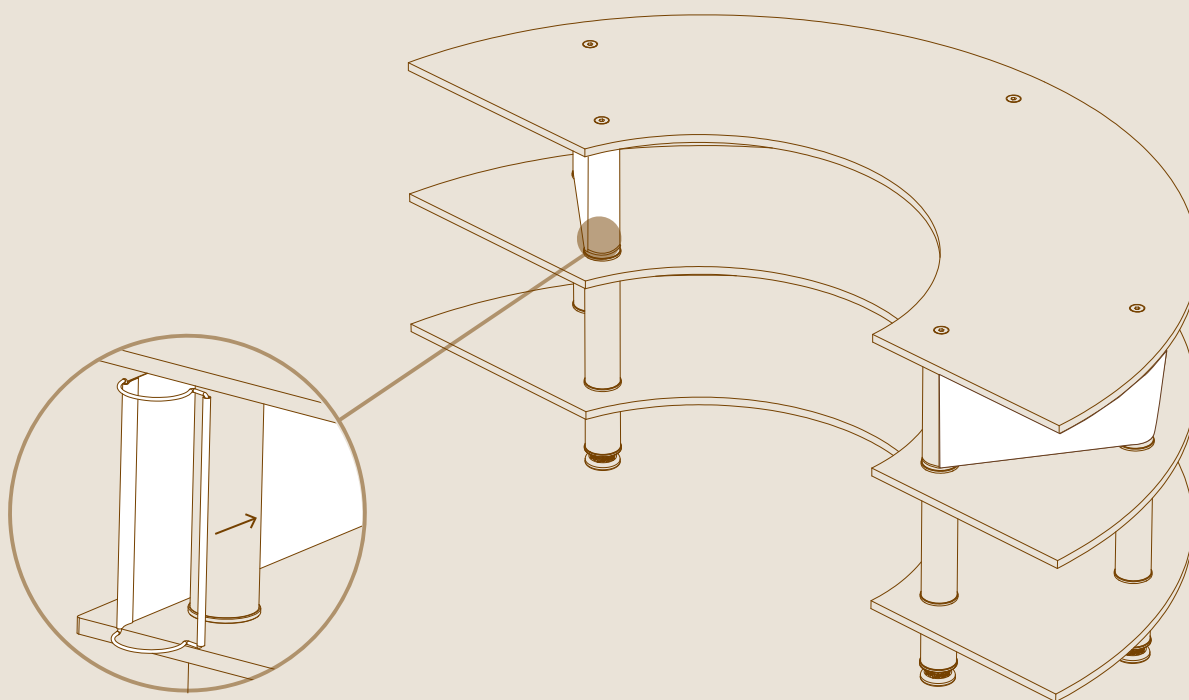
QUICK COVERS FOR CREATIVE CURVED UNIT L112" W11" | L284cm W29cm

# ASSEMBLY

1

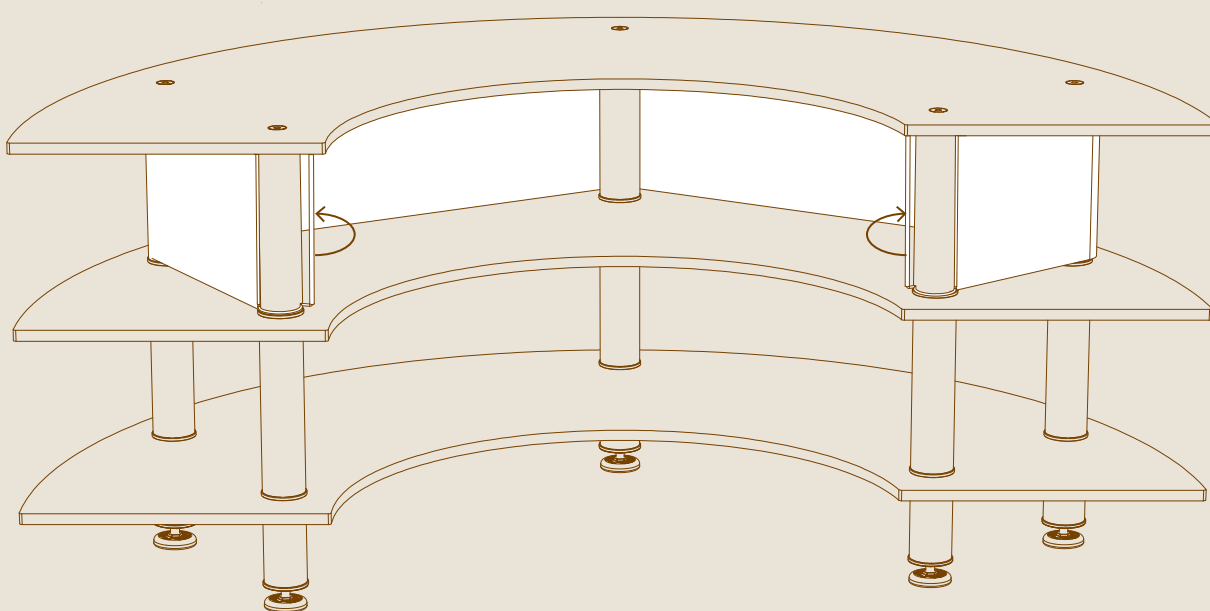


2

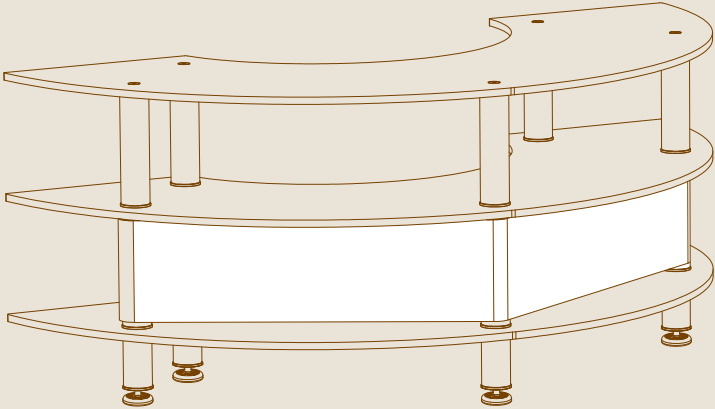
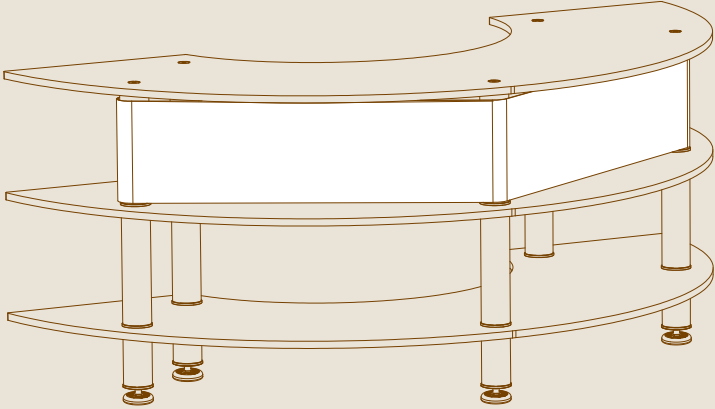
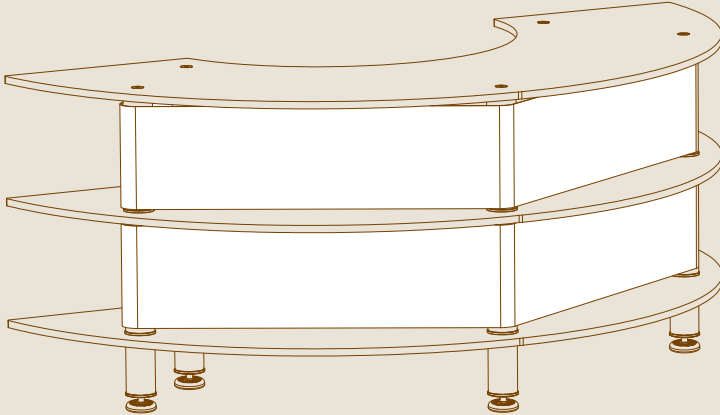


3

Evenly tighten the quick-cover using the bars on both sides.



# DESIGN PROPOSALS



**YOU'RE ALL DONE, WAY TO GO!**