



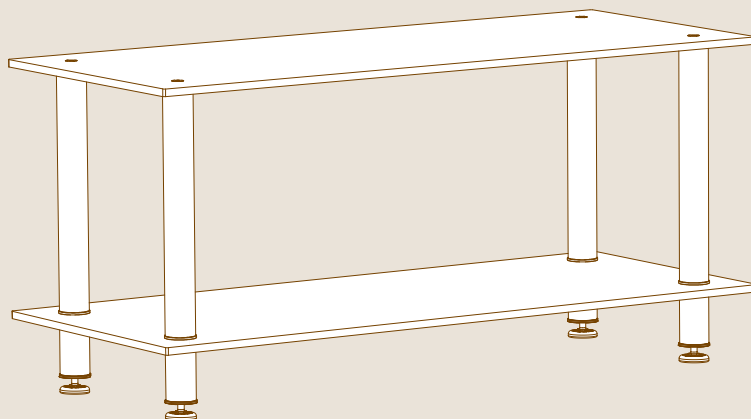
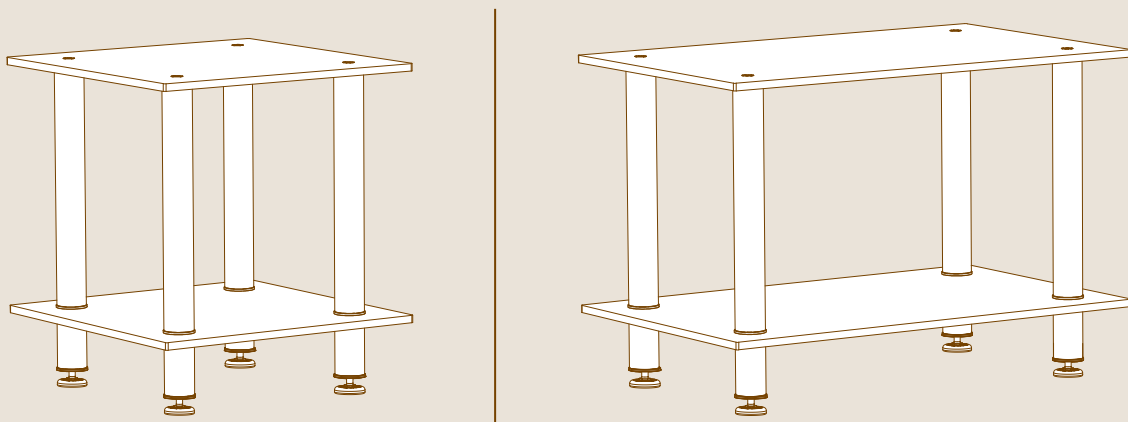
# Modular

SYSTEM

---

## SMALL | MEDIUM | LARGE STANDARD UNIT

ASSEMBLY INSTRUCTIONS



# PARTS

X1



ALLEN KEY FOR M16

X4



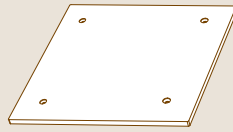
M16 ALLEN SCREWS

X4



SCREW CAPS

X2



SMALL SQUARE TOPS L29.5" W29.5" | L75cm W75cm

OR



MEDIUM RECTANGLE TOPS L47" W29.5" | L120cm W75cm

OR



LARGE RECTANGLE TOPS L71" W29.5" | L180cm W75cm

X4



STANDARD SEGMENTS

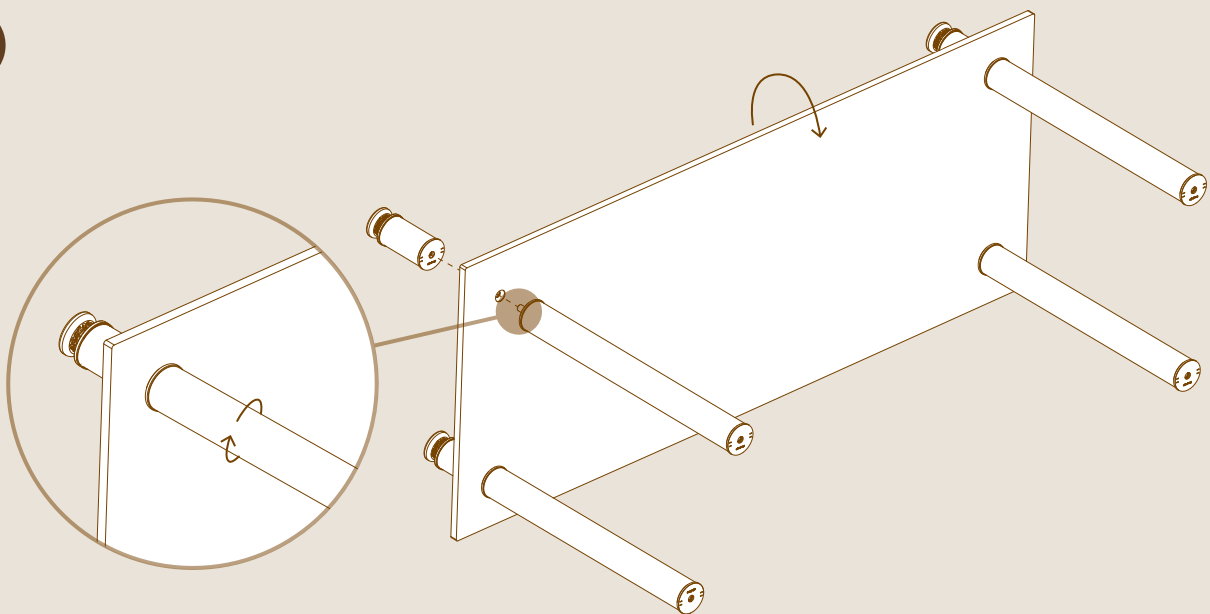
X4



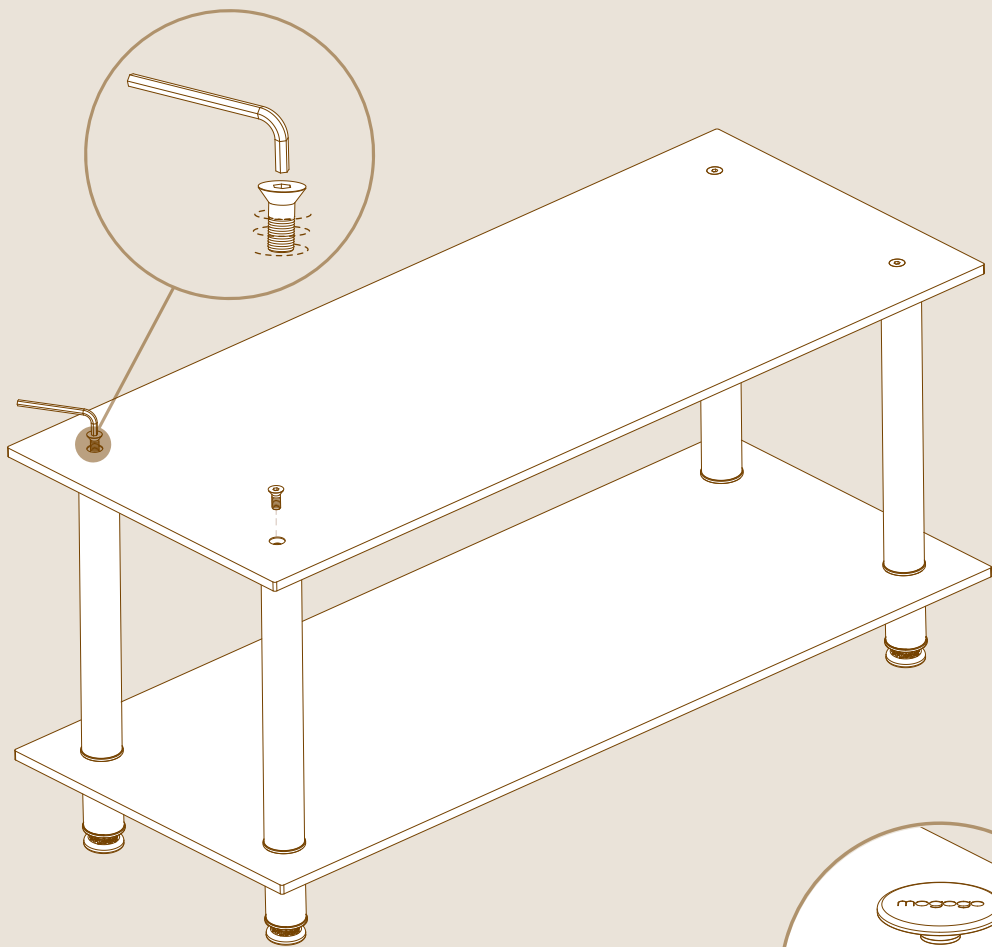
ADJUSTABLE LEGS

# ASSEMBLY

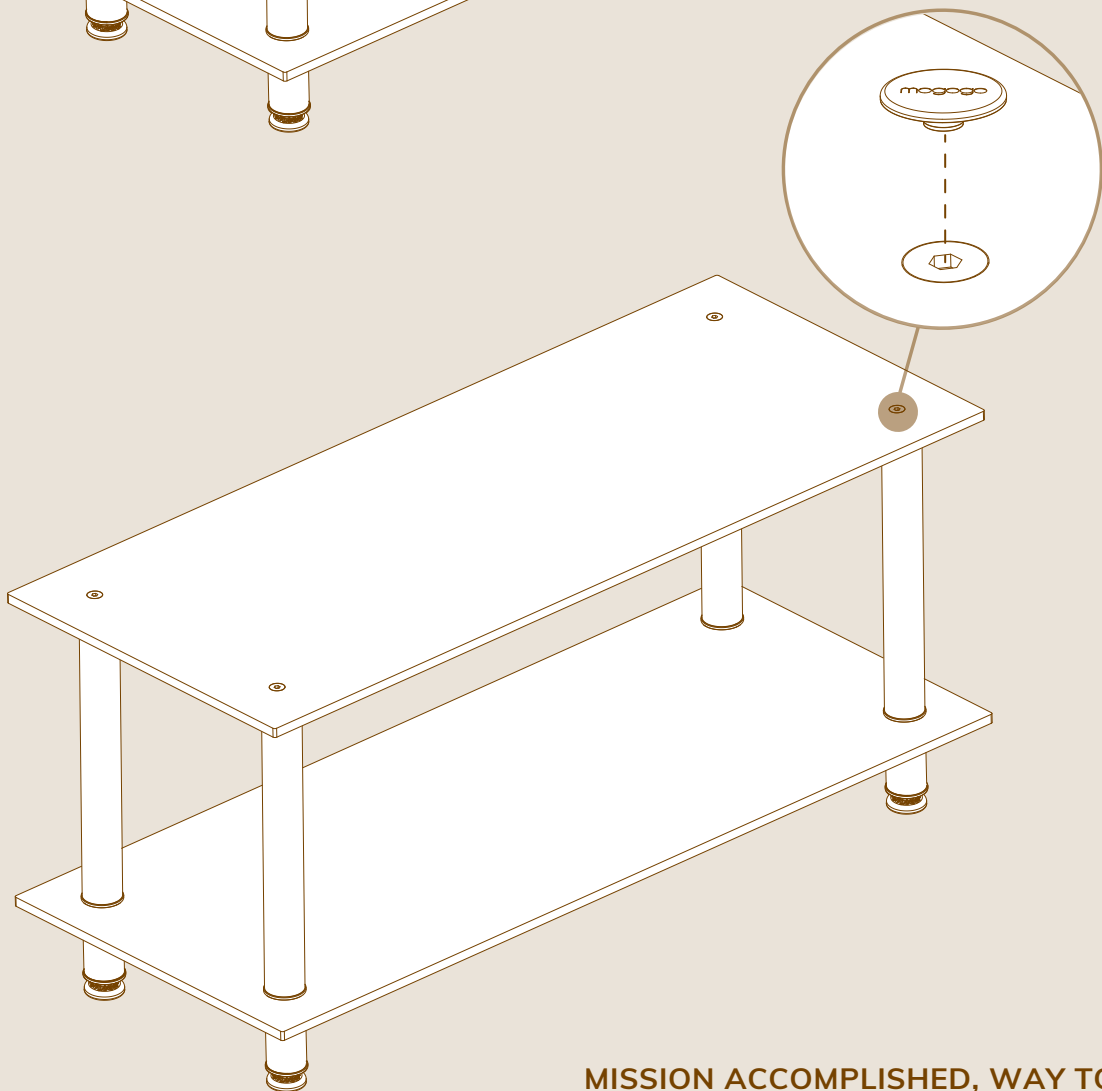
1



2



3



MISSION ACCOMPLISHED, WAY TO GO!