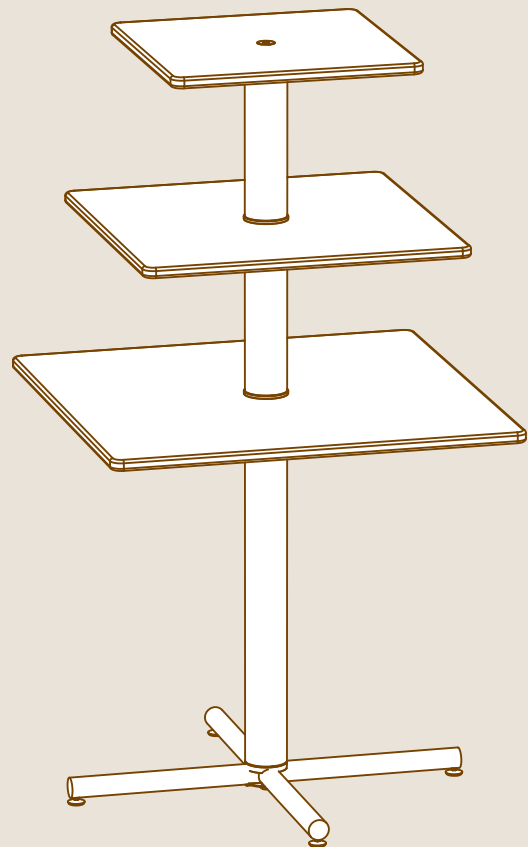
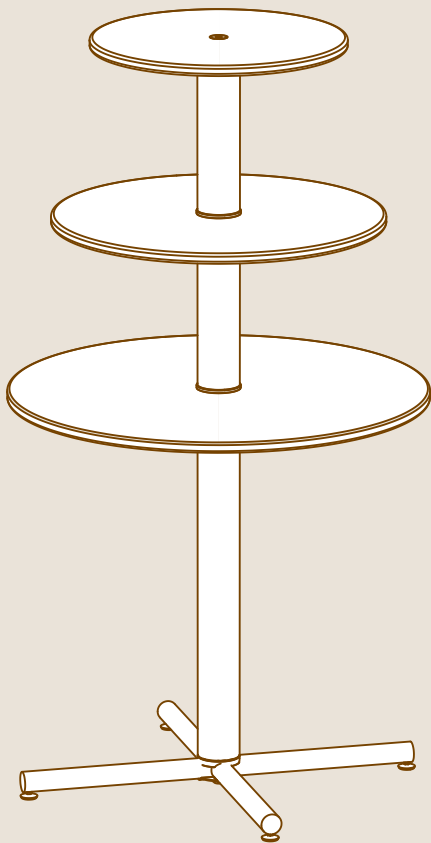




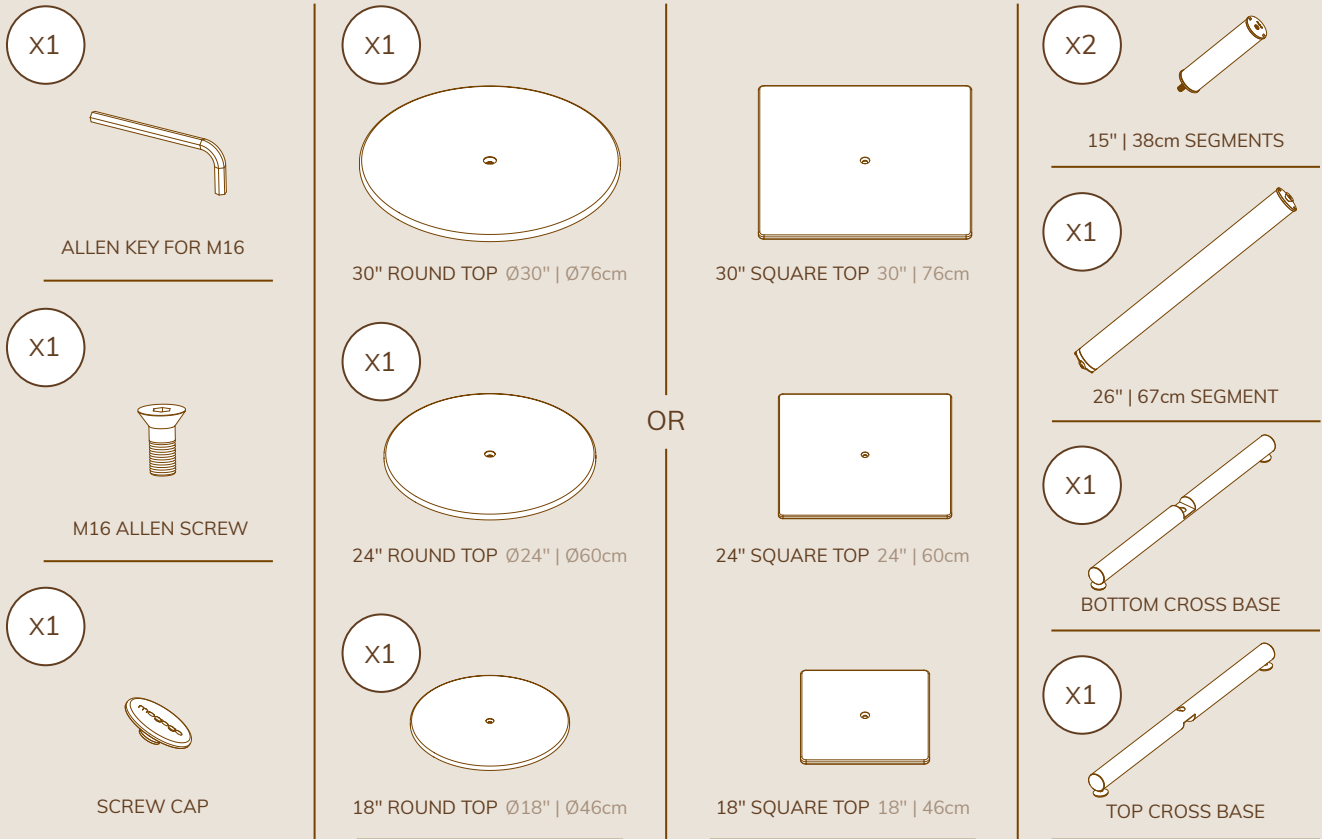
POLO  
TABLES

---

**DISPLAY TABLES**  
ASSEMBLY INSTRUCTIONS

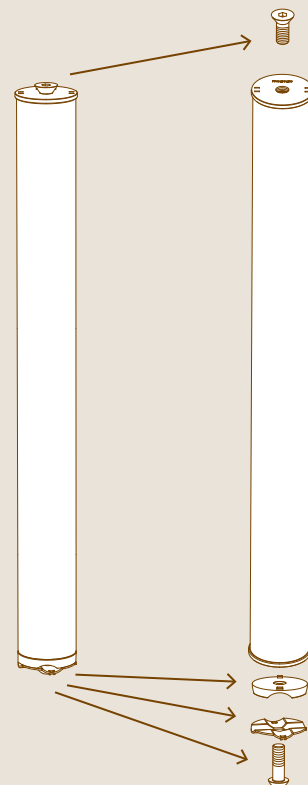


# PARTS



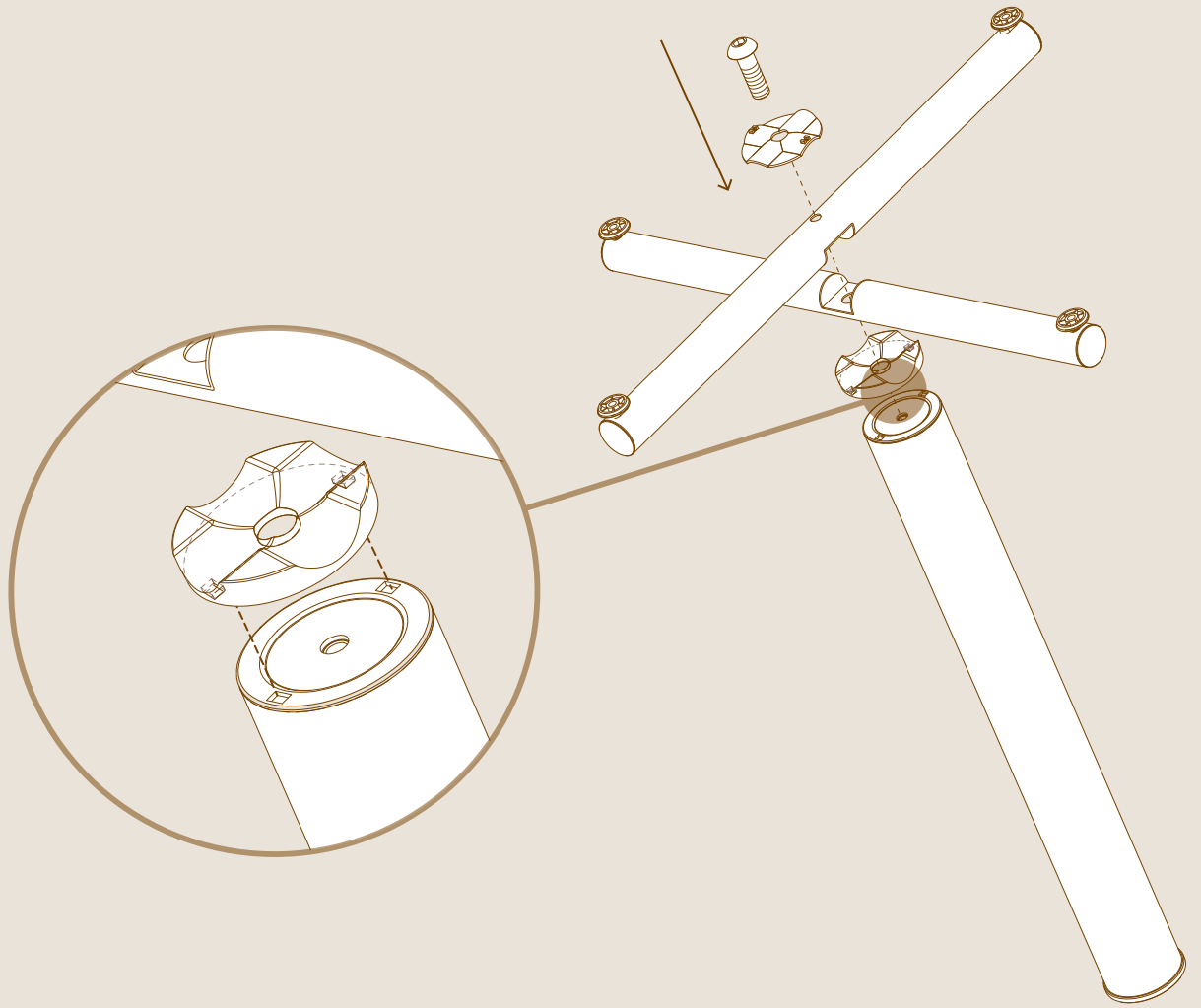
# ASSEMBLY

- 1 Unscrew the top and bottom screws to disassemble 26" segment into parts.

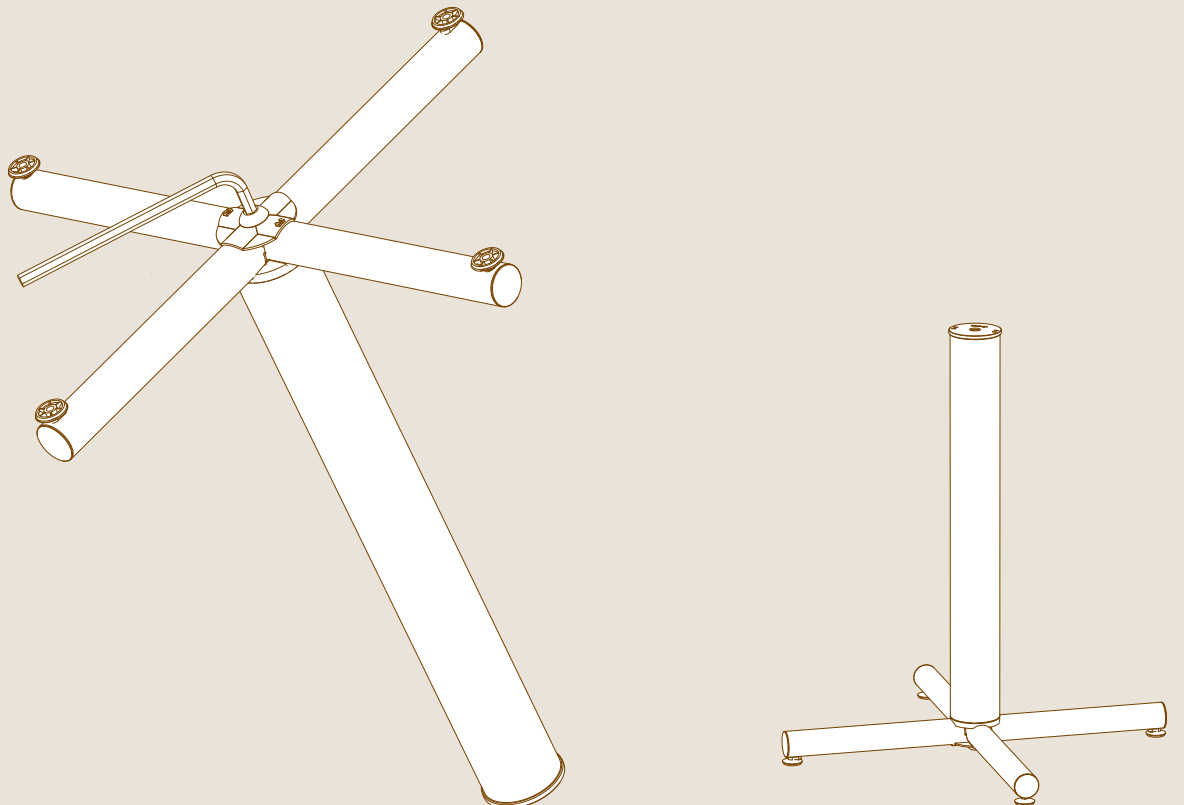


2

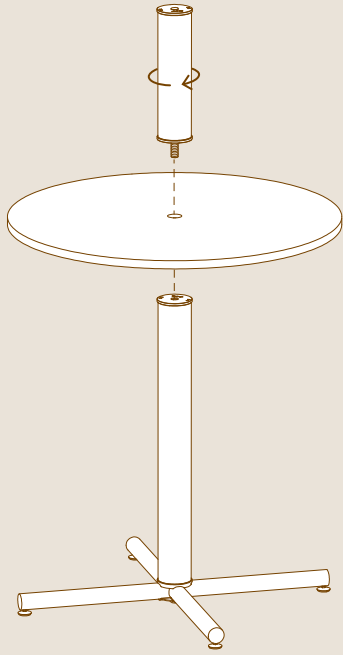
Make sure the pins are inserted into the main pole holes.



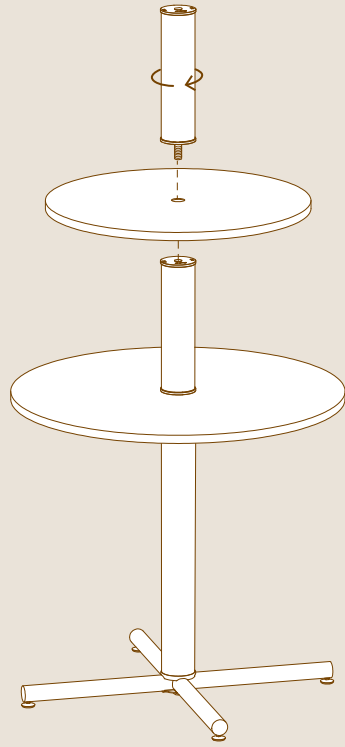
3



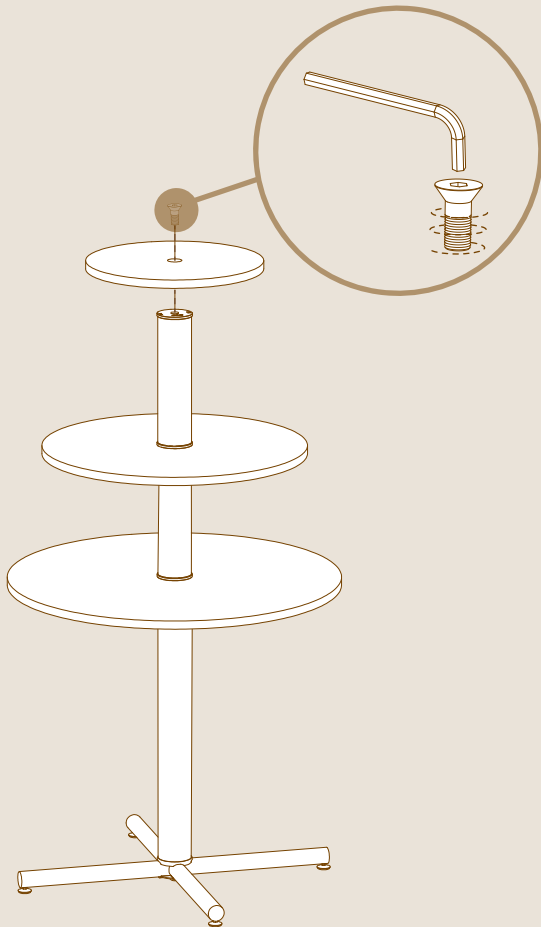
4



5

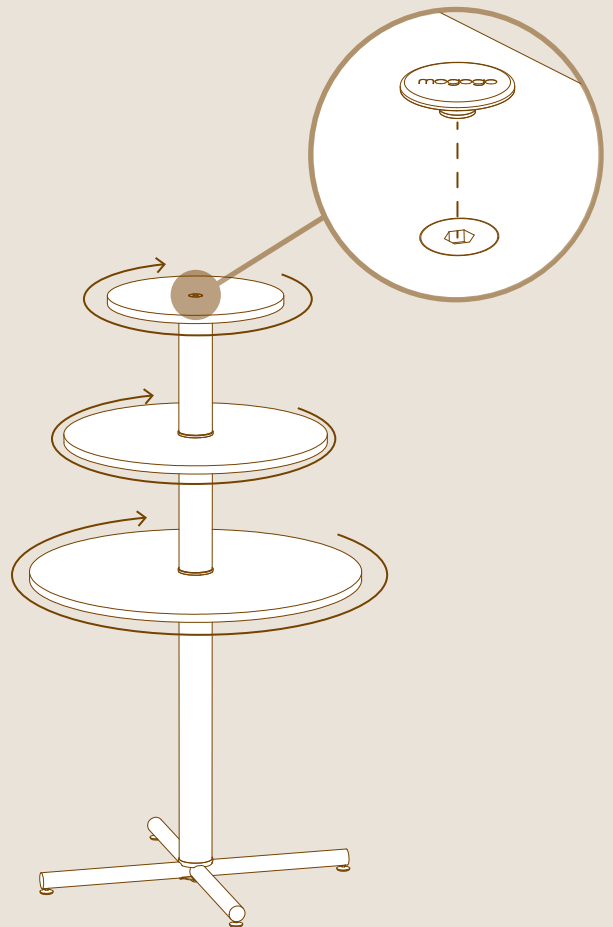


6



7

Tighten the tabletop by turning the plate clockwise by hand.



**JOB WELL DONE, WAY TO GO!**