

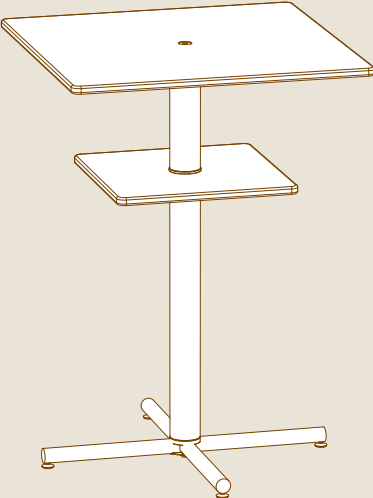
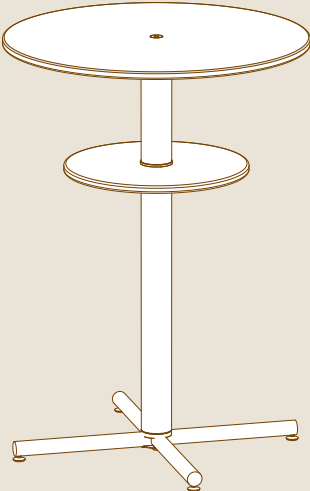
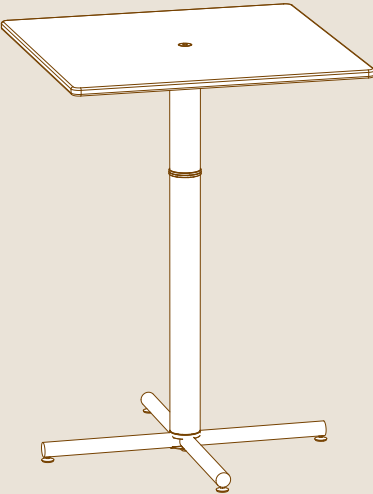
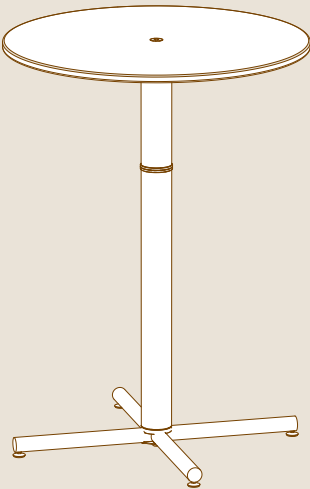
mogogo

POLO

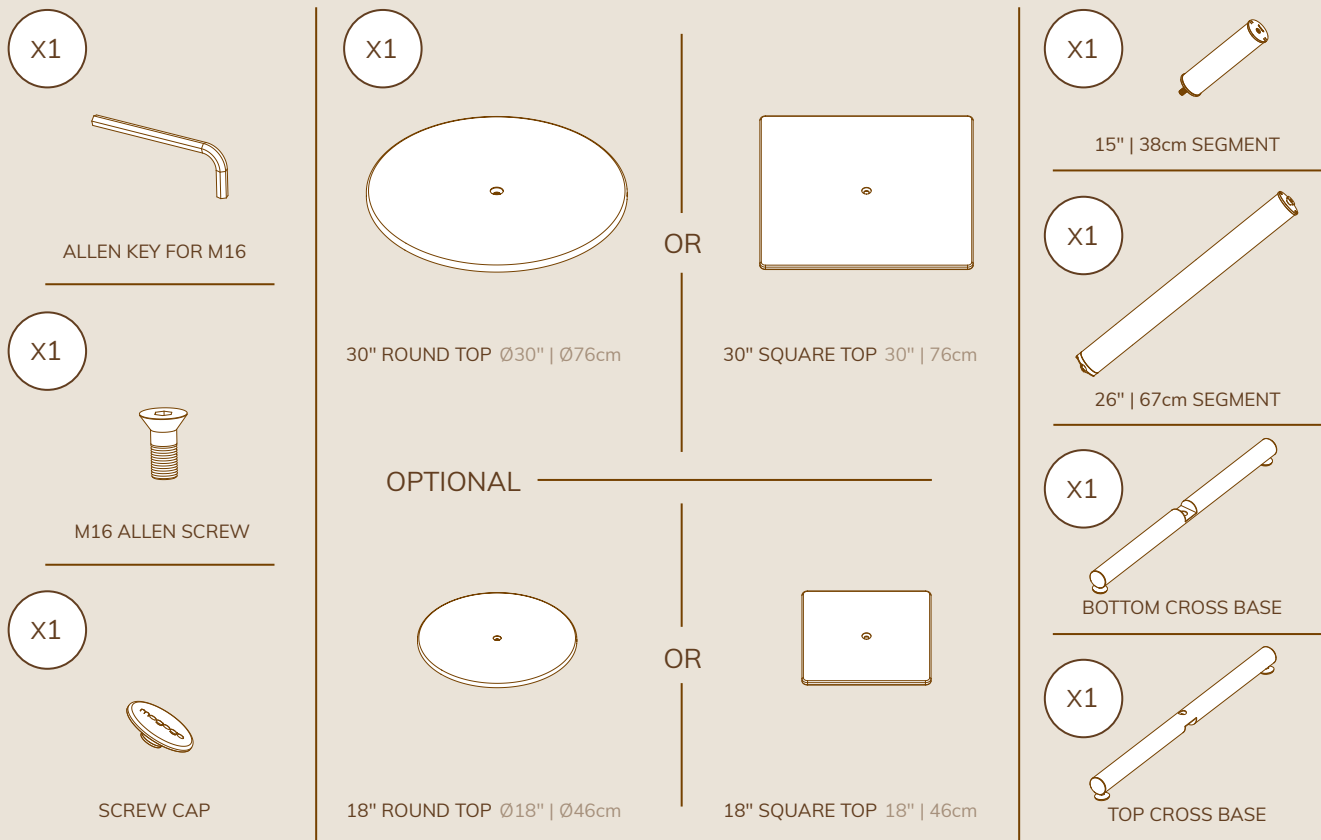
TABLES

BAR TABLES

ASSEMBLY INSTRUCTIONS

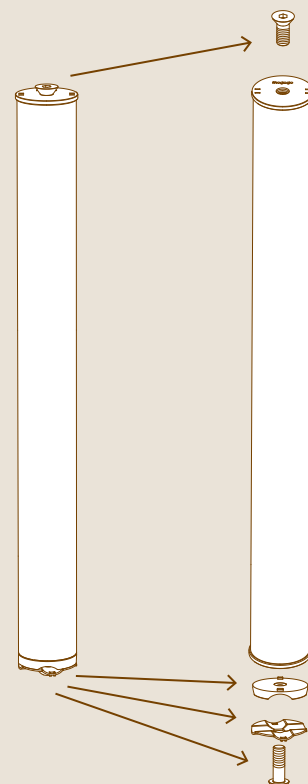


PARTS



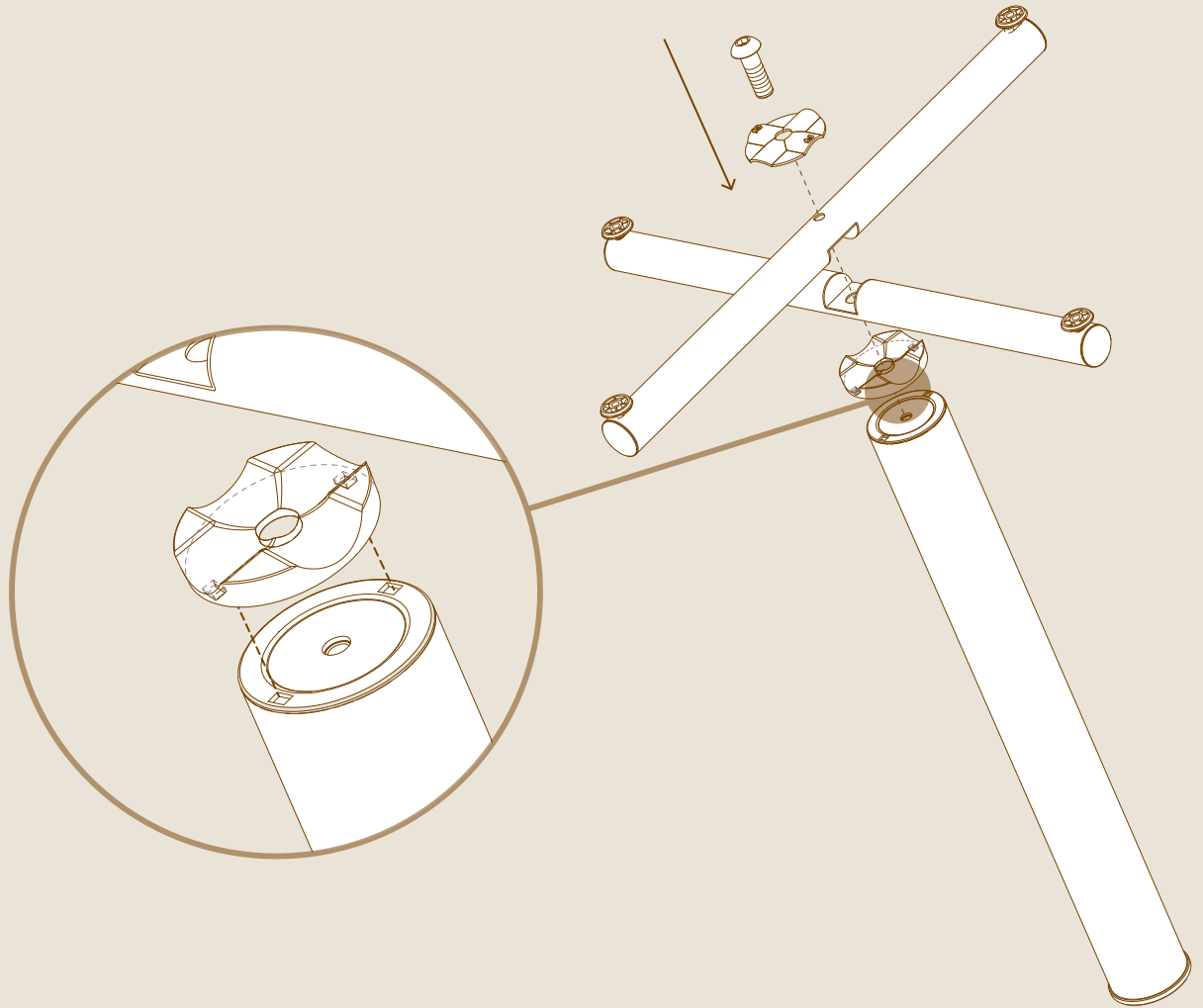
ASSEMBLY

- 1 Unscrew the top and bottom screws to disassemble 26" segment into parts.

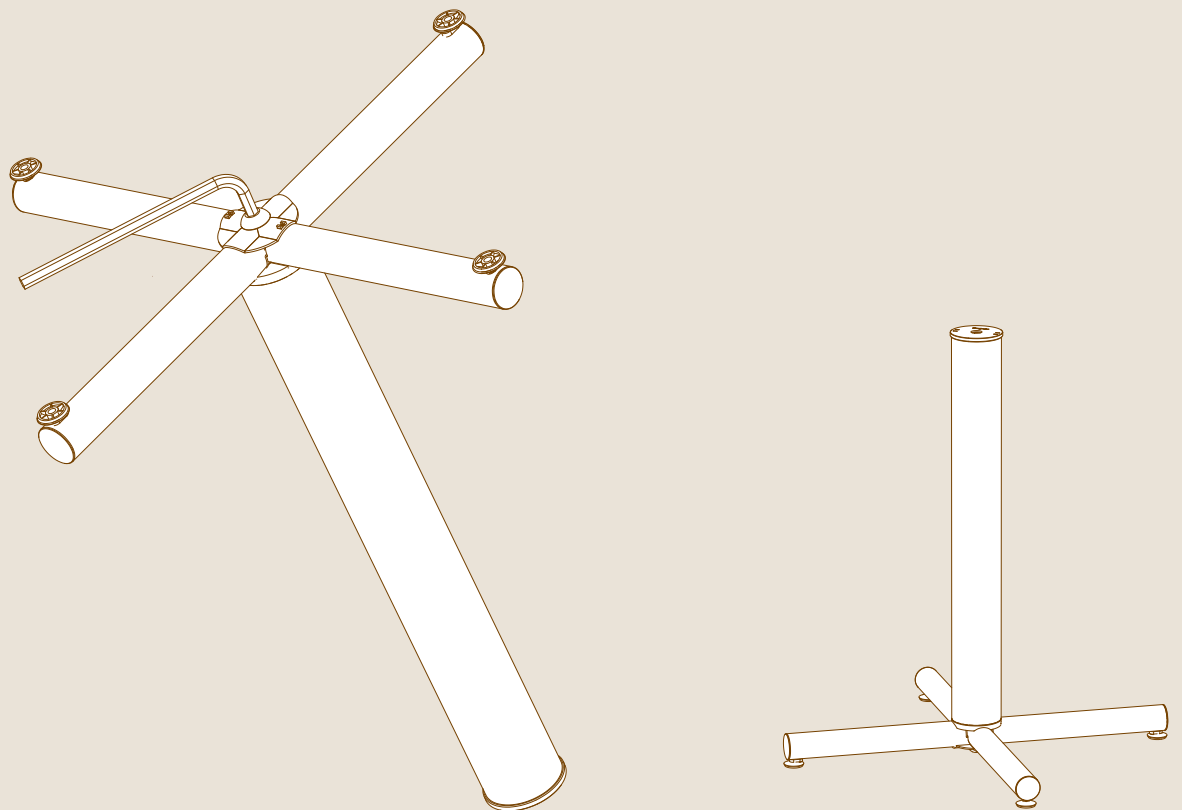


2

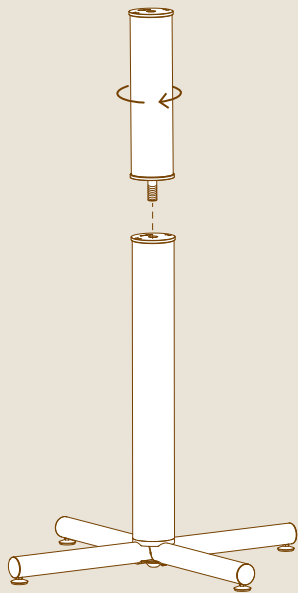
Make sure the pins are inserted into the main pole holes.



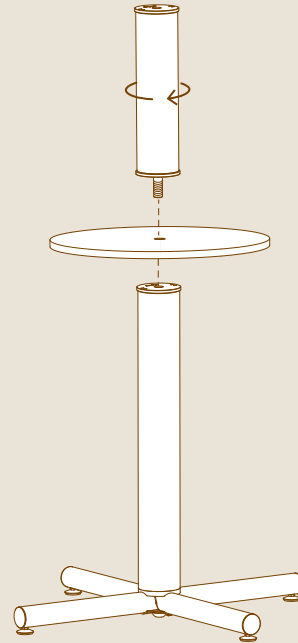
3



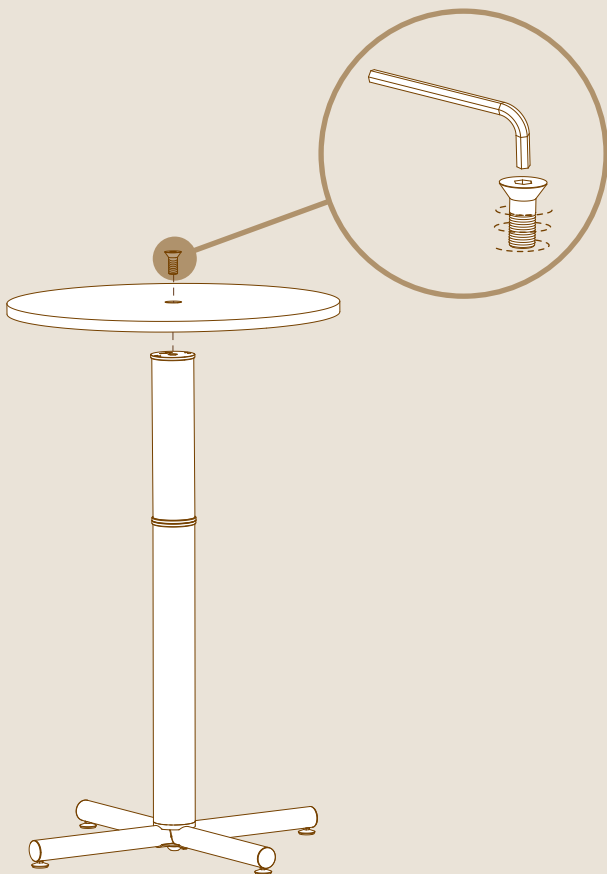
4



Optional shelf

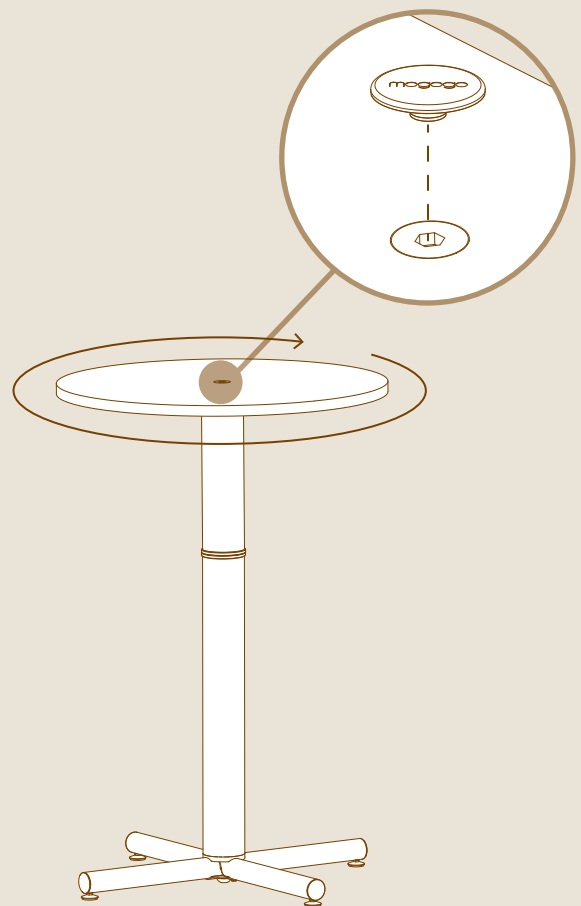


5



6

Tighten the tabletop by turning the plate clockwise by hand.



YOU'RE ALL DONE, WAY TO GO!