

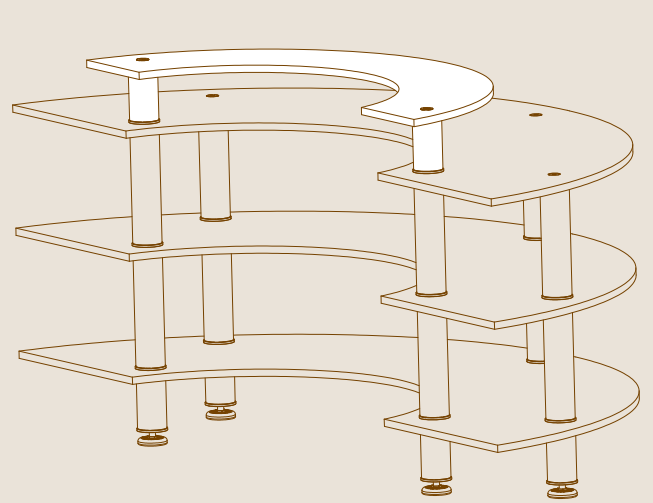
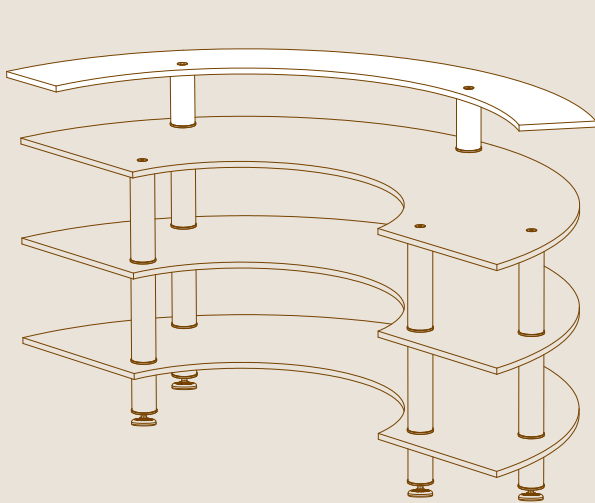
mogogo

Modular

SYSTEM

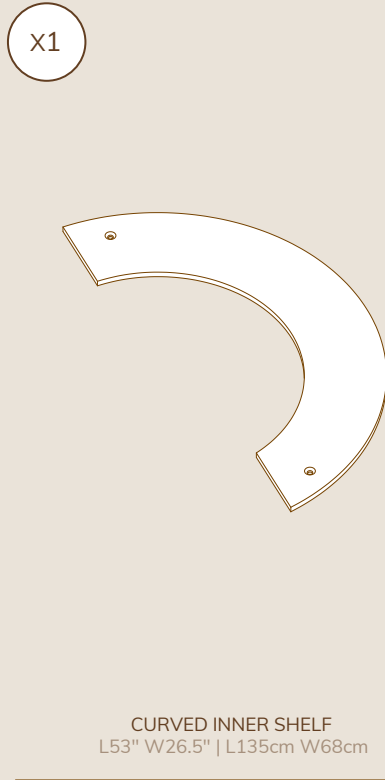
CURVED INNER / OUTER SHELF

ASSEMBLY INSTRUCTIONS

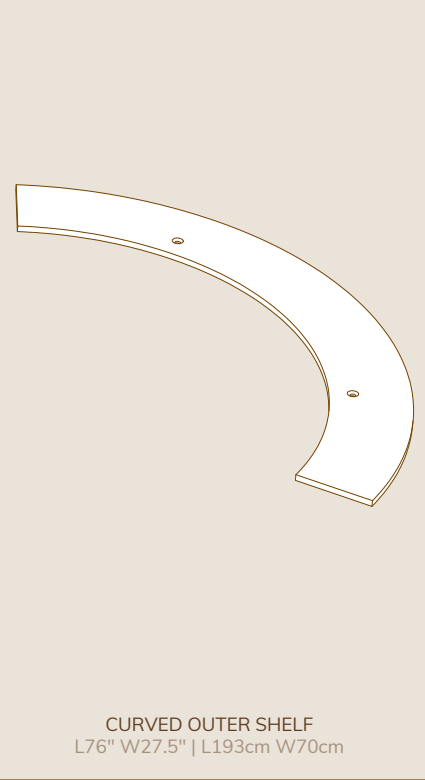


PARTS

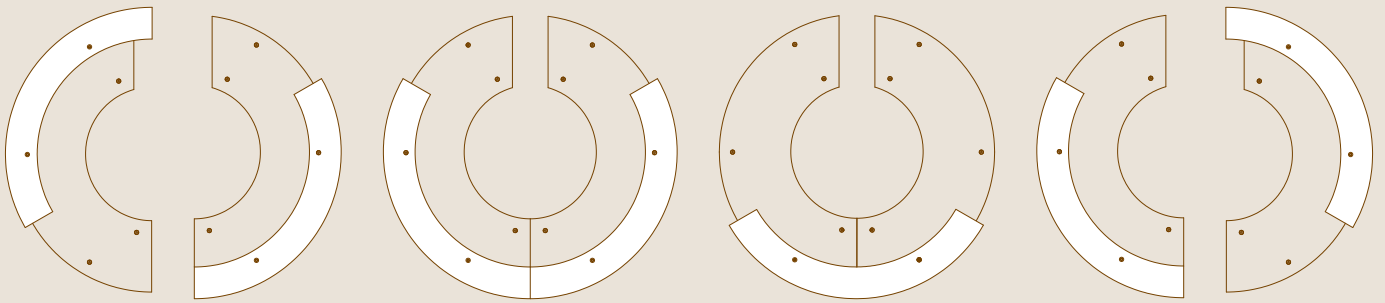
- X1 
ALLEN KEY FOR M16
- X2 
M16 ALLEN SCREWS
- X2 
SCREW CAPS
- X2 
5.7" | 14cm SEGMENTS



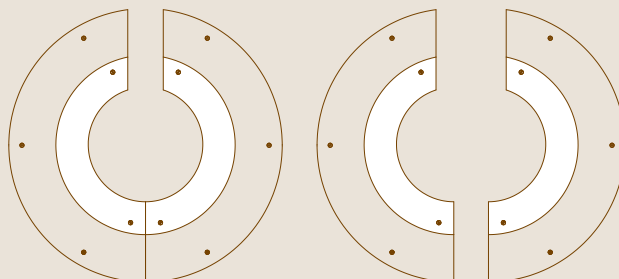
OR



Several options available with one or more outer shelves

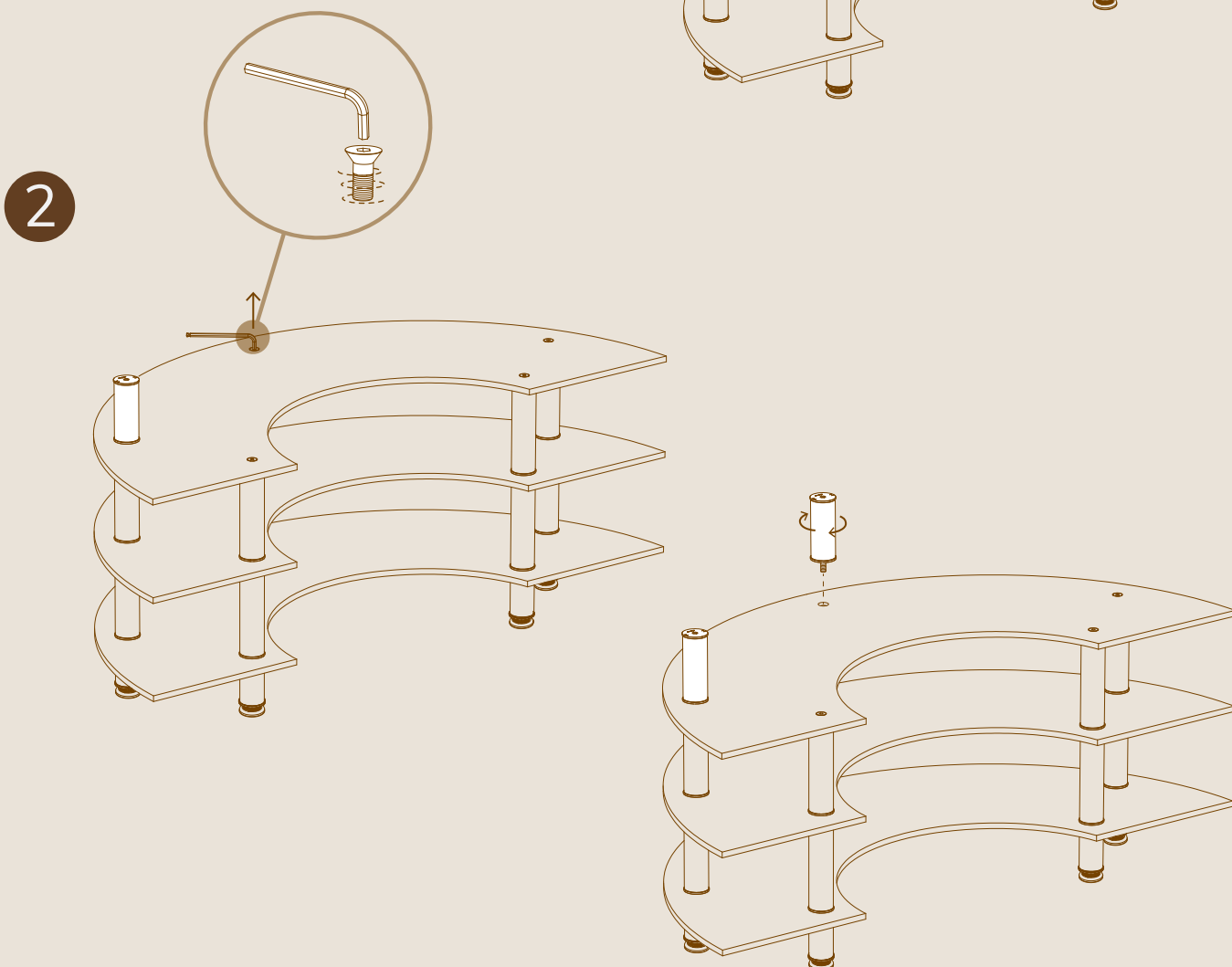
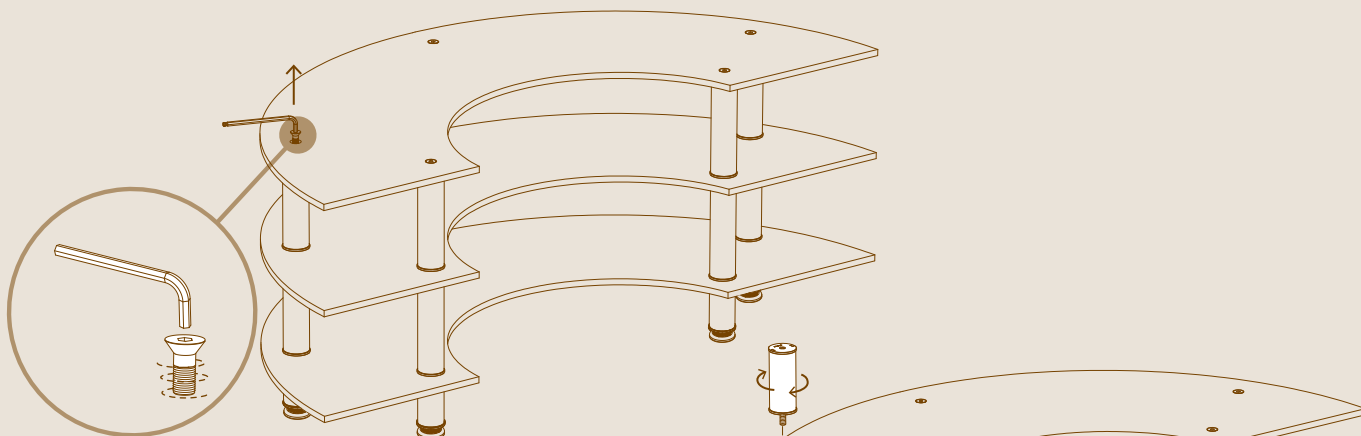


Several options available with one or more inner shelves

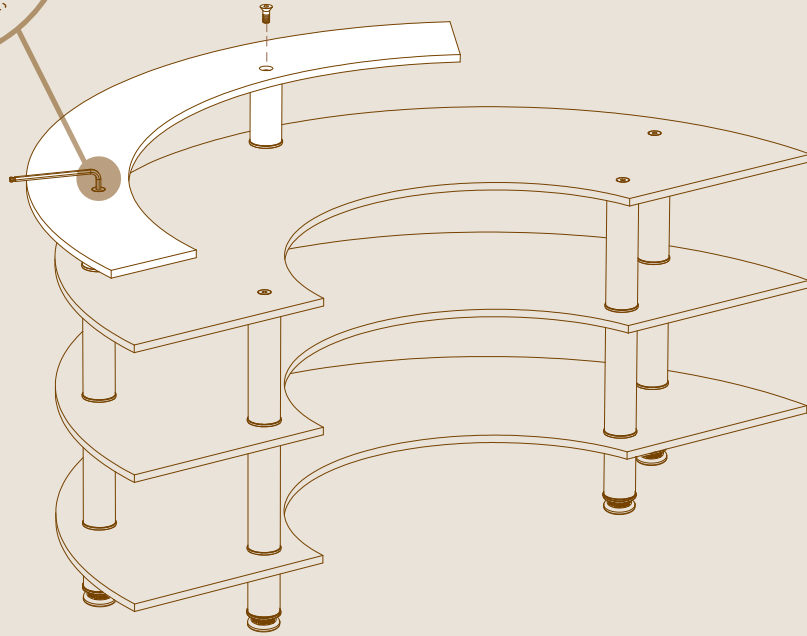
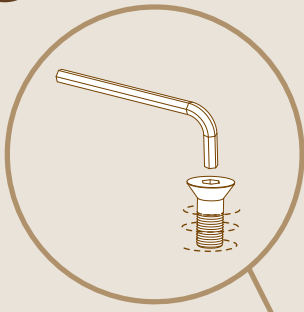


ASSEMBLY

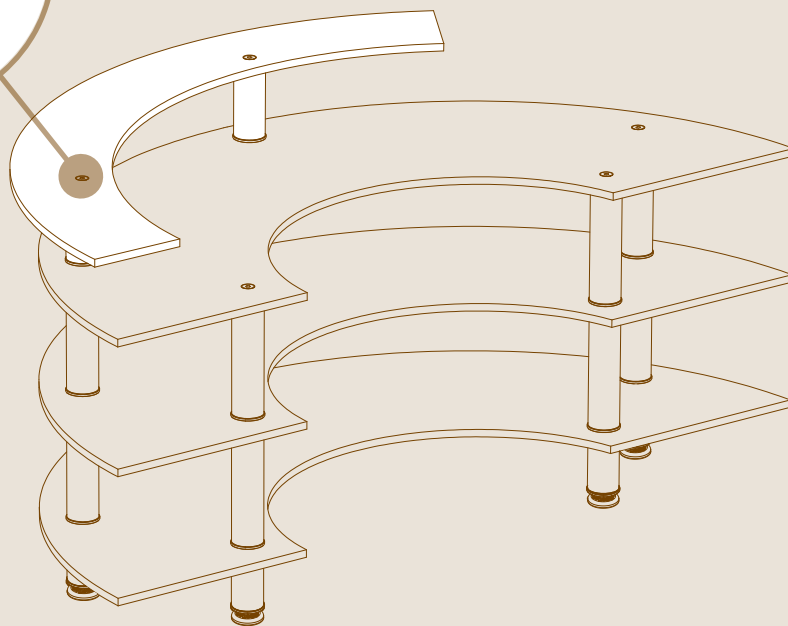
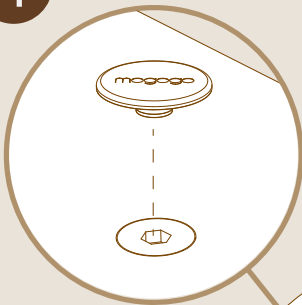
- 1 Choose the requested placement of your shelf and follow the instructions accordingly:



3



4



JOB WELL DONE, WAY TO GO!