

mogogo

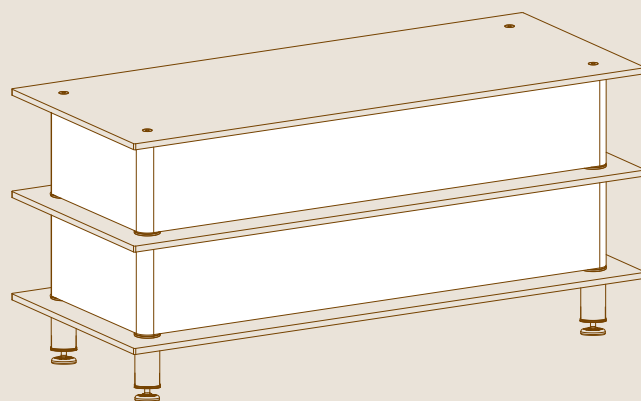
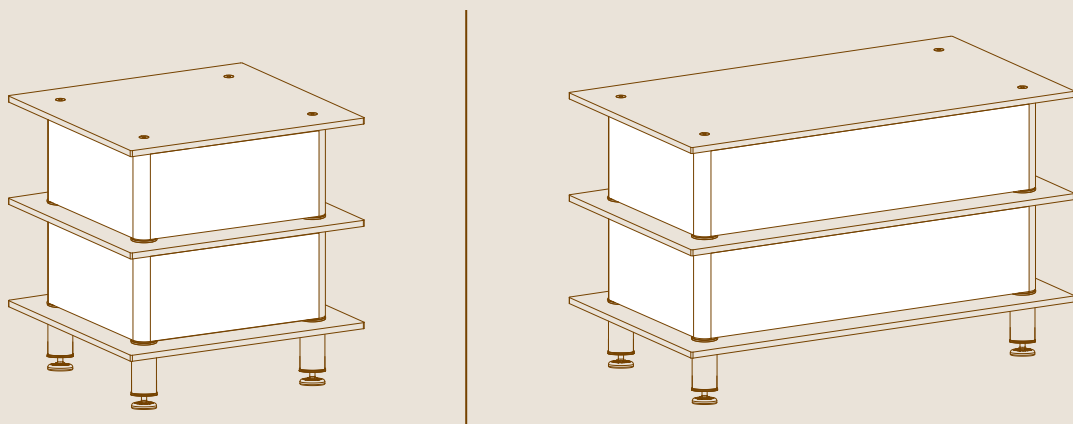
# Modular

SYSTEM

---

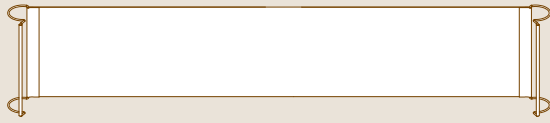
## QUICK COVER FOR CLASSIC UNITS

ASSEMBLY INSTRUCTIONS



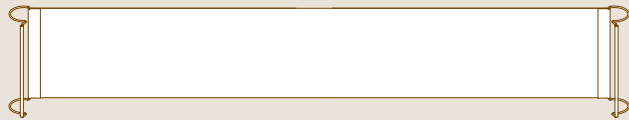
# PARTS

x2



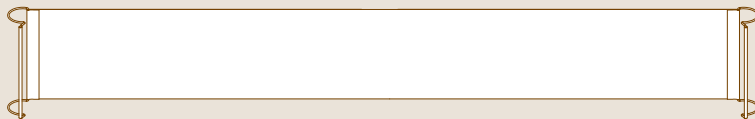
QUICK COVERS FOR SMALL CLASSIC UNIT L66" W11" | L167cm W29cm

OR



QUICK COVERS FOR MEDIUM CLASSIC UNIT L83.5" W11" | L212cm W29cm

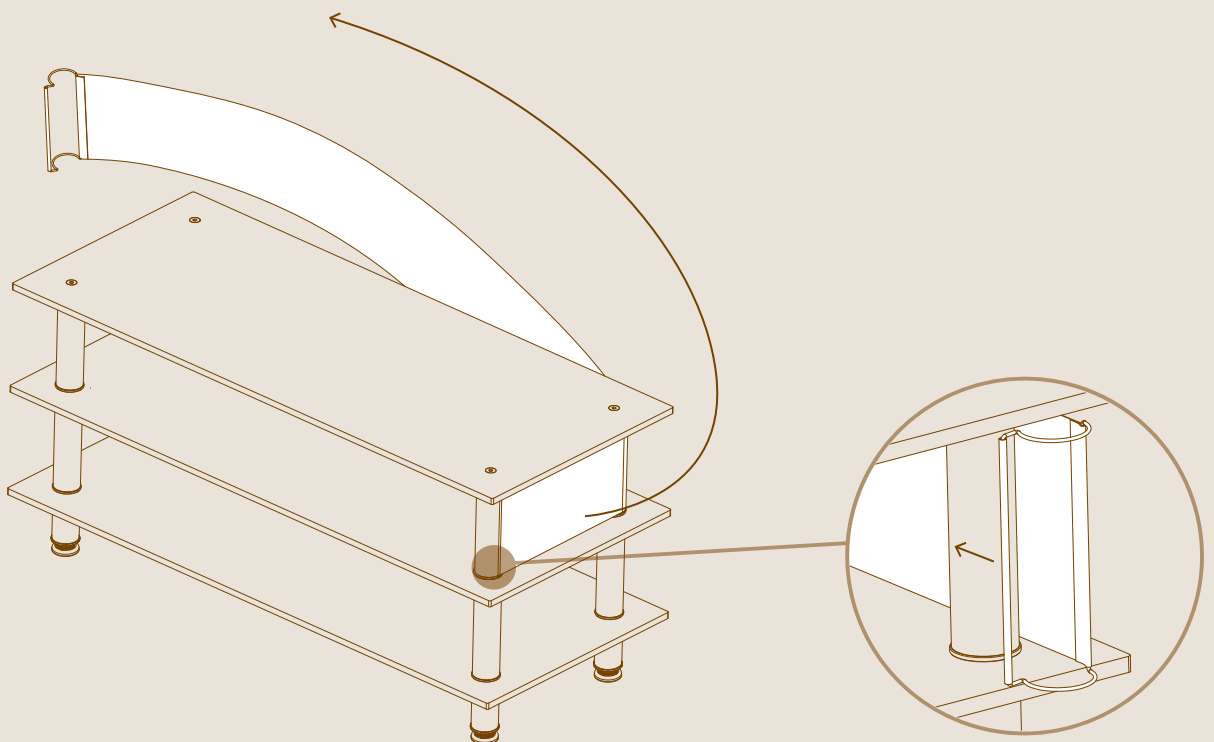
OR



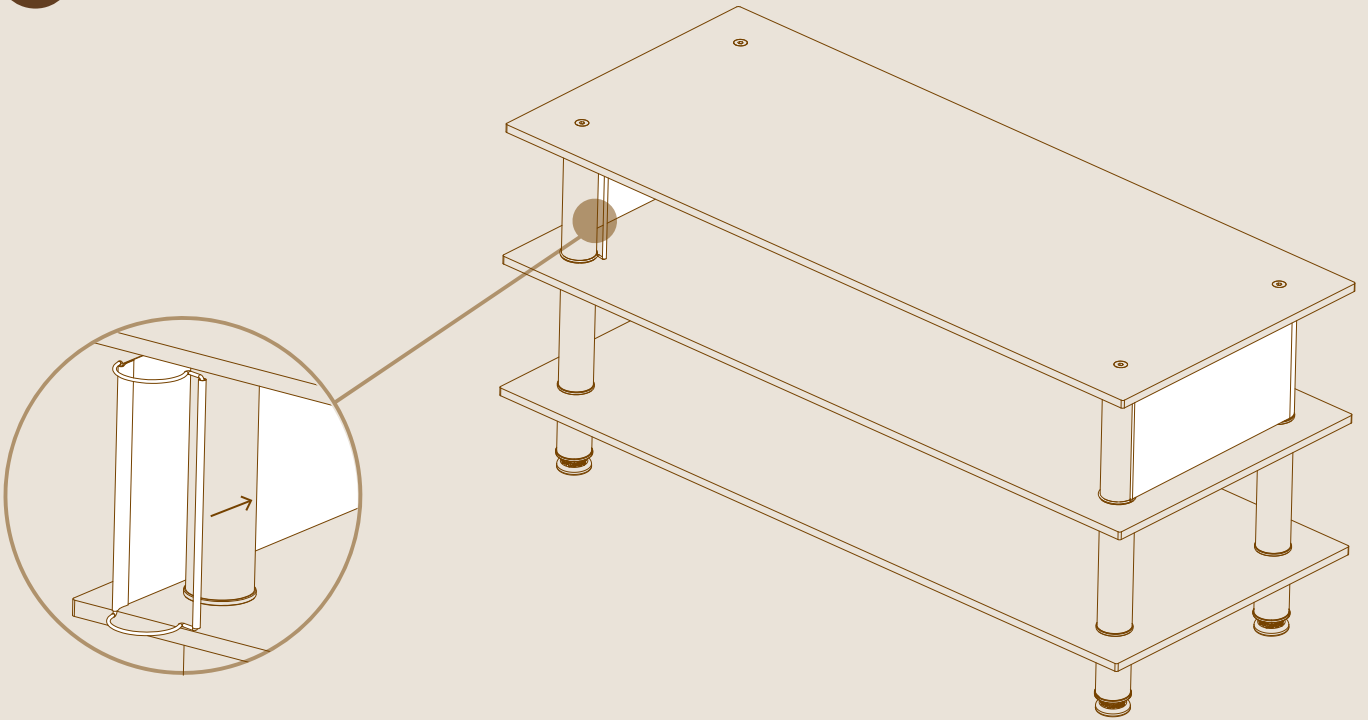
QUICK COVERS FOR LARGE CLASSIC UNIT L110" W11" | L280cm W29cm

# ASSEMBLY

1

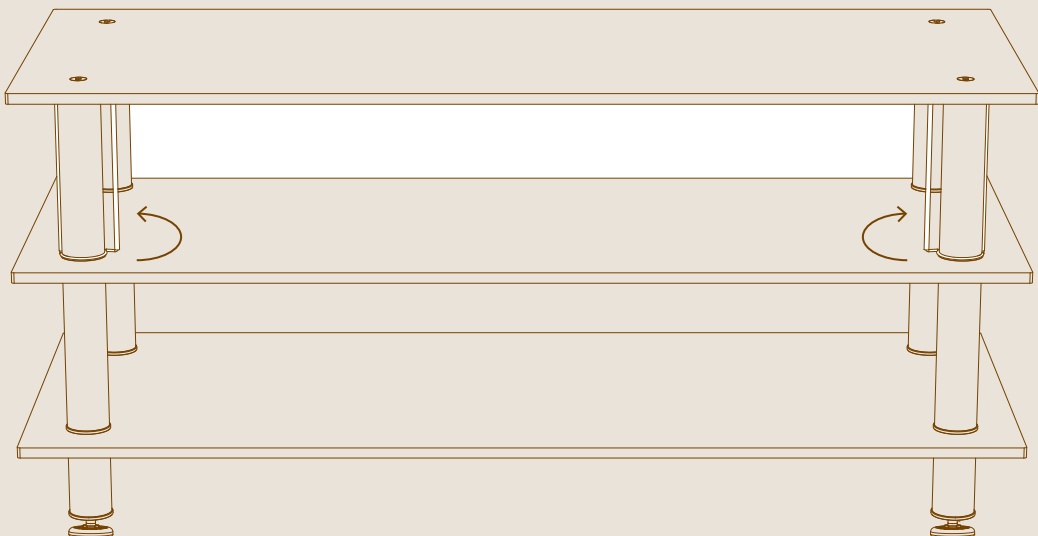


2

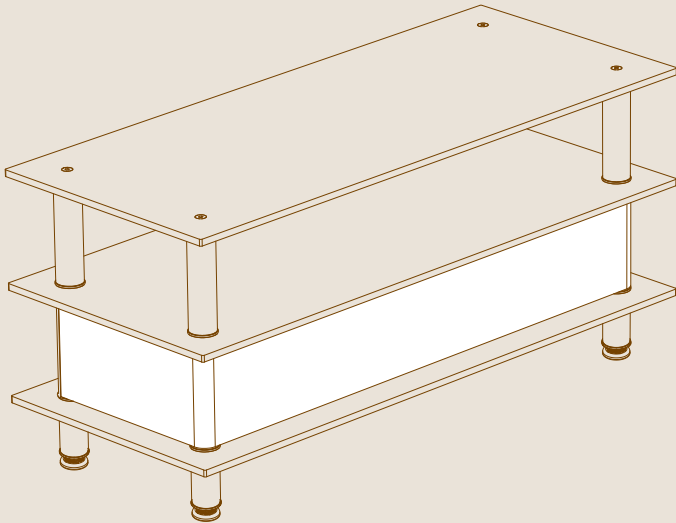
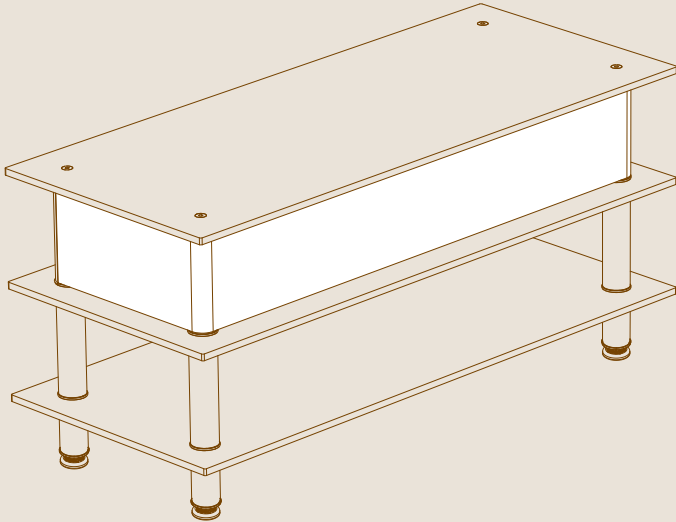
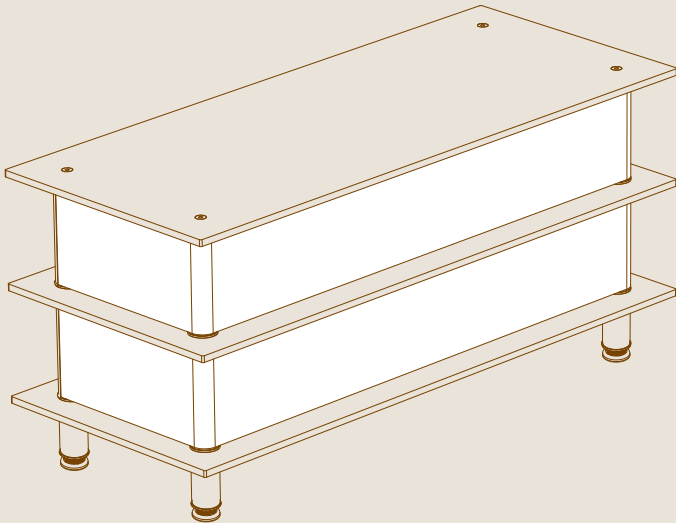


3

Evenly tighten the quick-cover using the bars on both sides.



# DESIGN PROPOSALS



GREAT JOB, YOUR GOOD TO GO!