

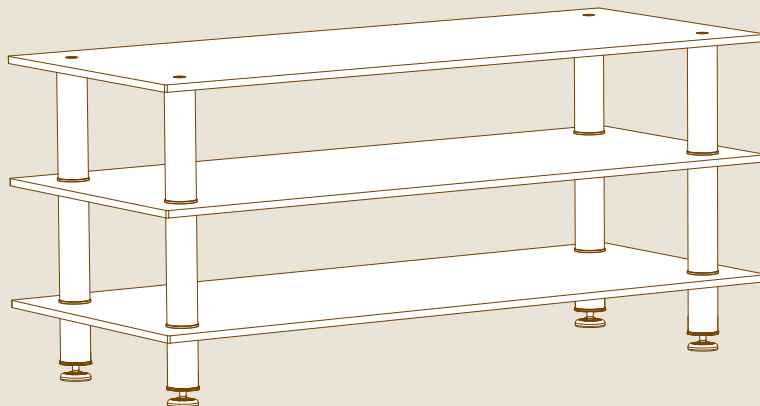
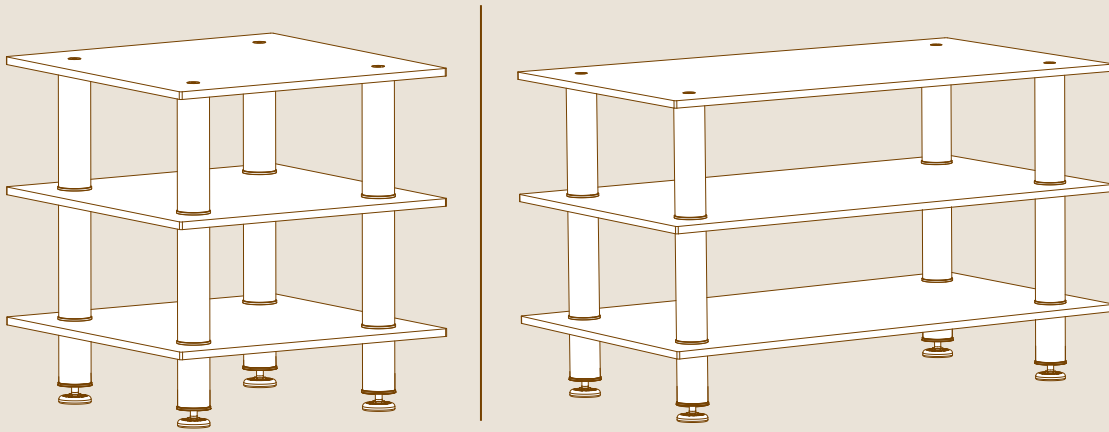
# Modular

SYSTEM

---

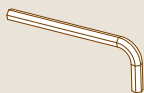
## SMALL | MEDIUM | LARGE CLASSIC UNIT

ASSEMBLY INSTRUCTIONS



# PARTS

X1



ALLEN KEY FOR M16

X4



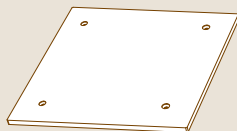
M16 ALLEN SCREWS

X4



SCREW CAPS

X3



SMALL RECTANGLE TOPS L29.5" W29.5" | L75cm W75cm

OR



MEDIUM RECTANGLE TOPS L47" W29.5" | L120cm W75cm

OR



LARGE RECTANGLE TOPS L71" W29.5" | L180cm W75cm

X8



12" | 30cm SEGMENTS

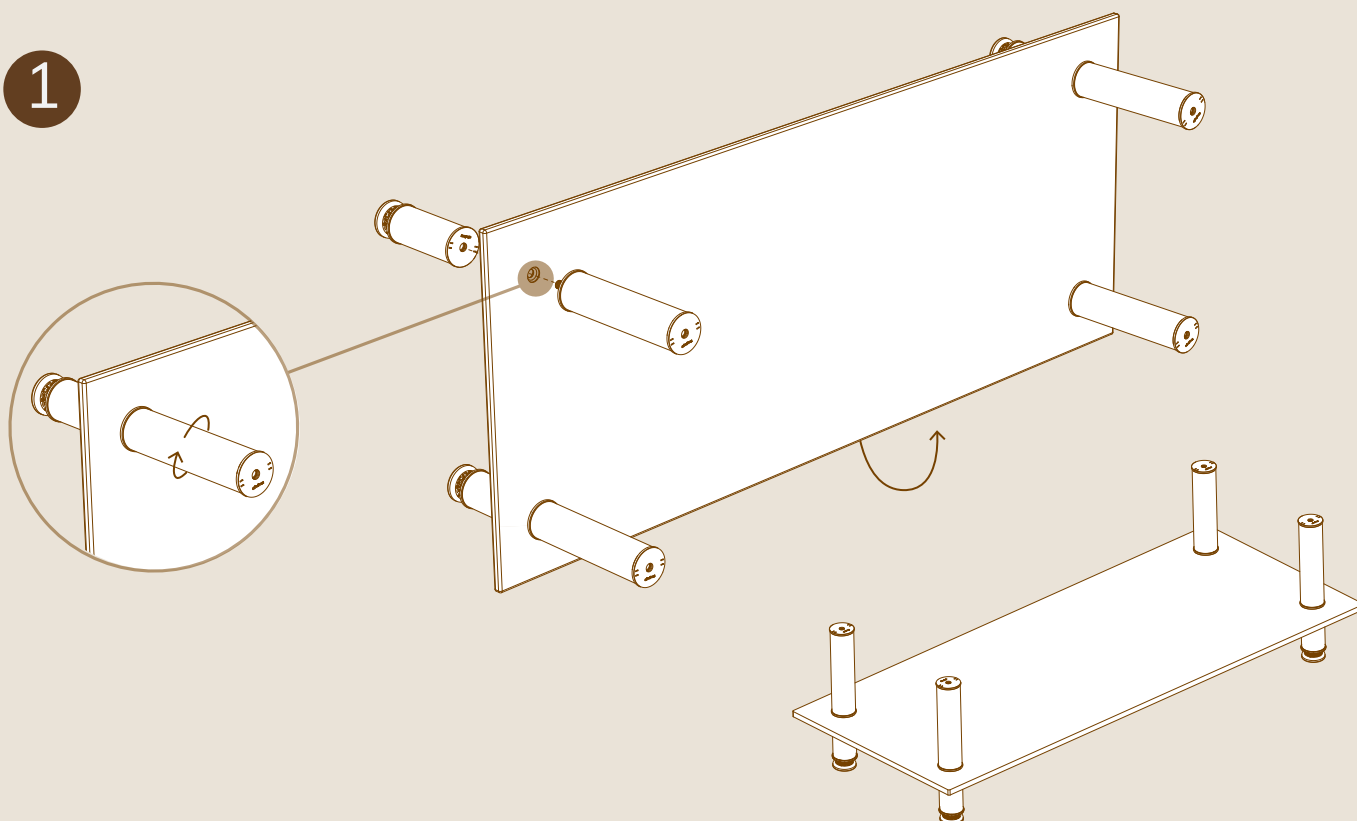
X4



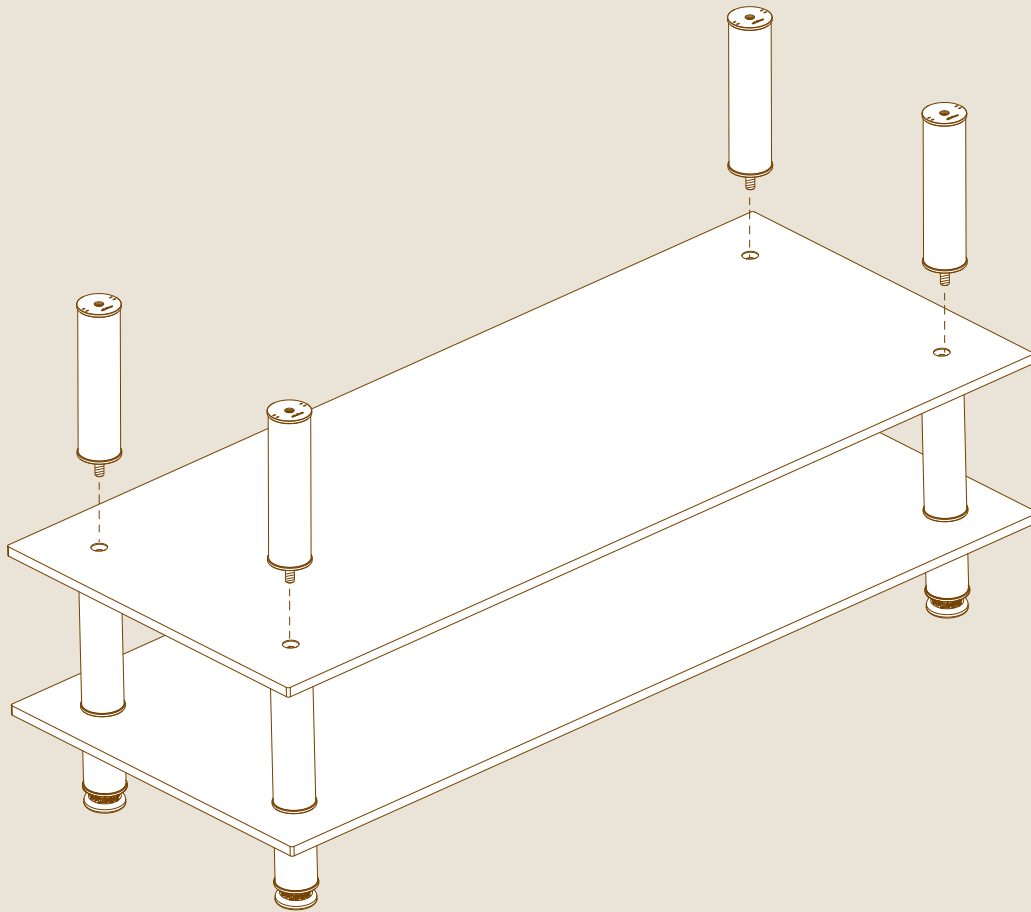
ADJUSTABLE LEG

# ASSEMBLY

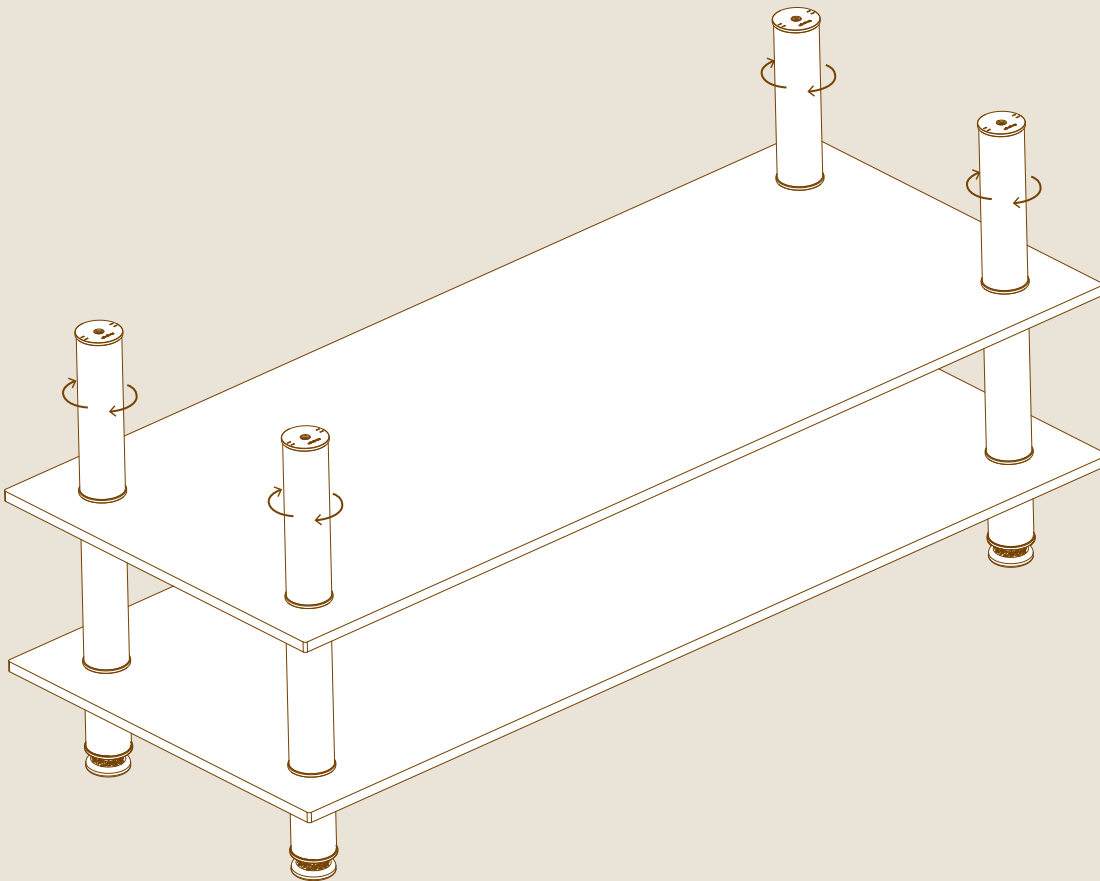
1



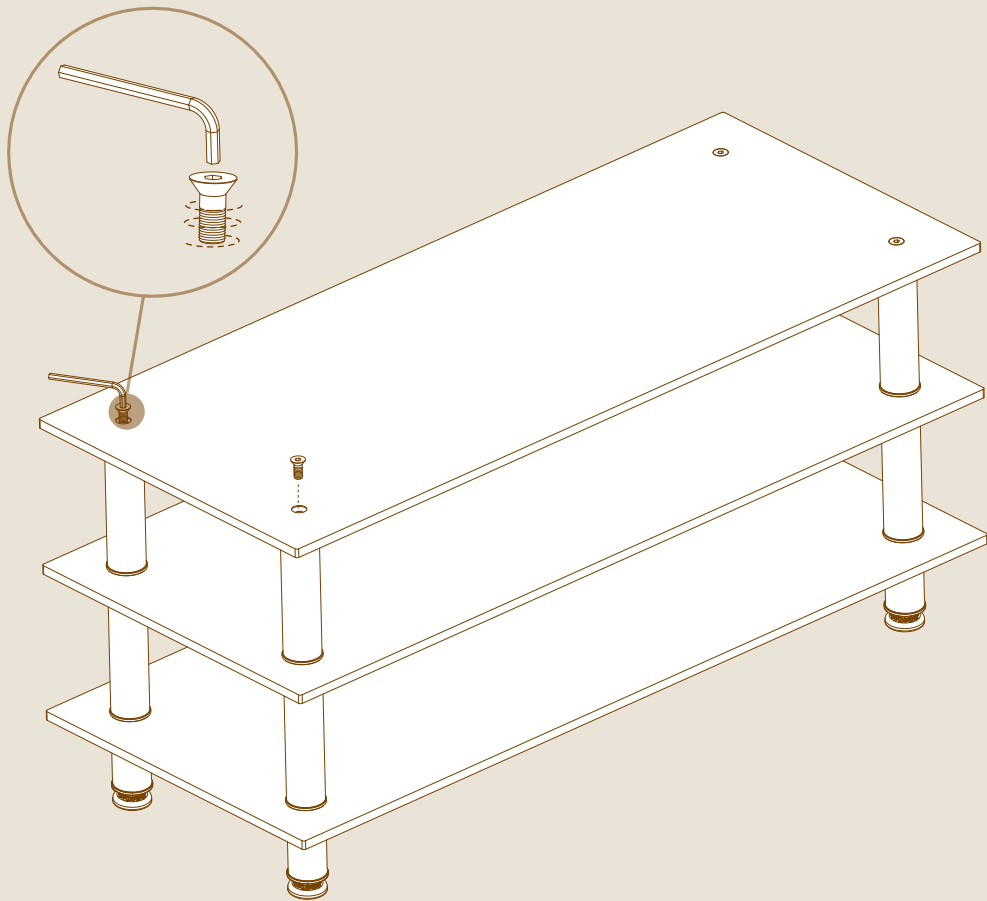
2



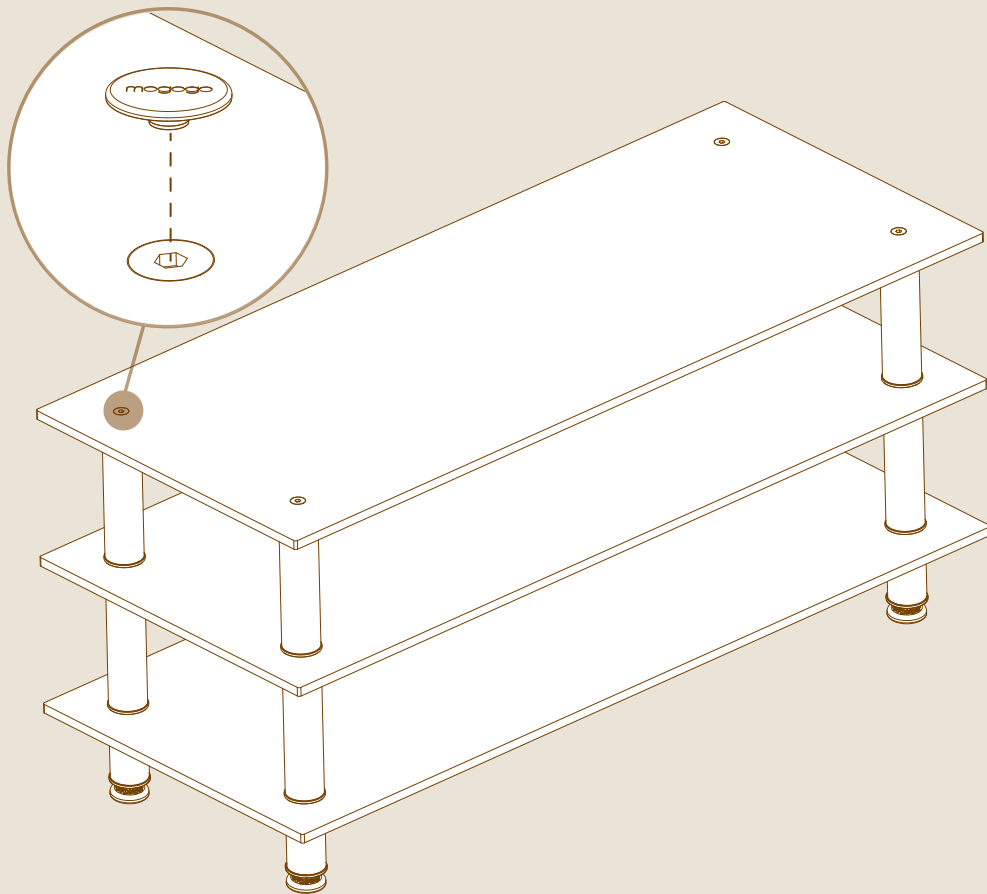
3



4



5



**YOU'RE ALL DONE, WAY TO GO!**