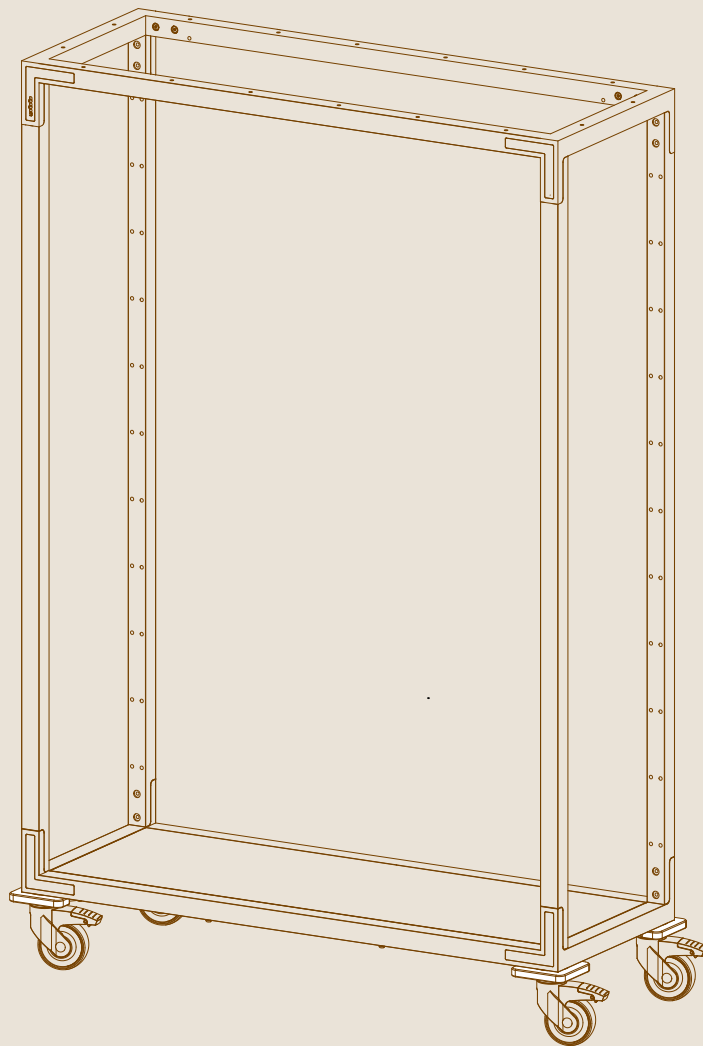


Canvas  
SHELVING SYSTEM

---

**BUMPERS**  
ASSEMBLY INSTRUCTIONS



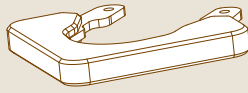
# PARTS

X8



M6 SCREW

X4

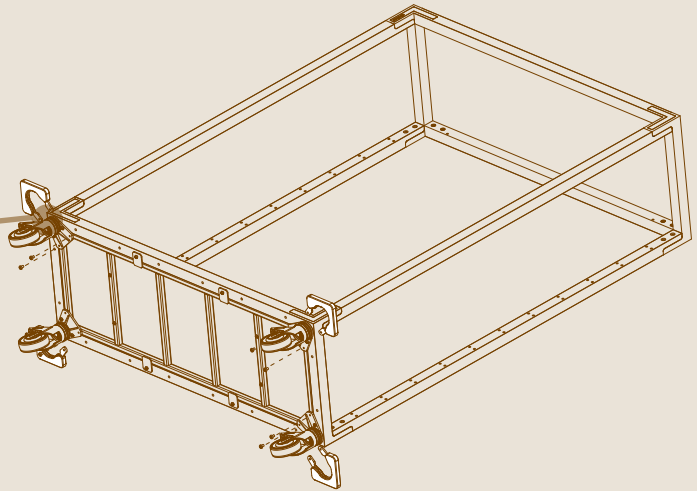
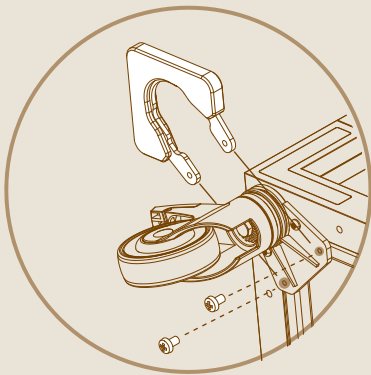


BUMPERS

## ASSEMBLY

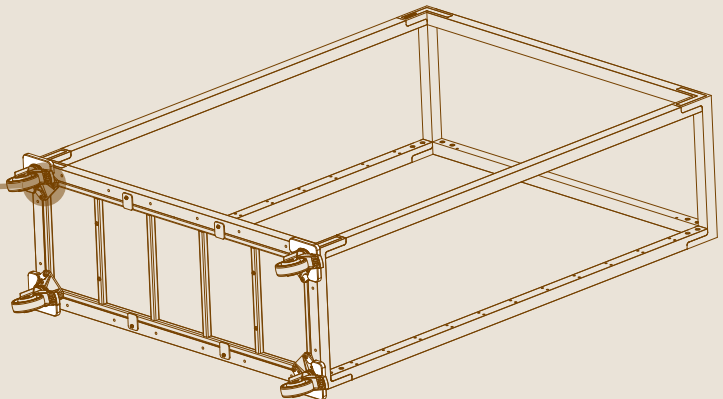
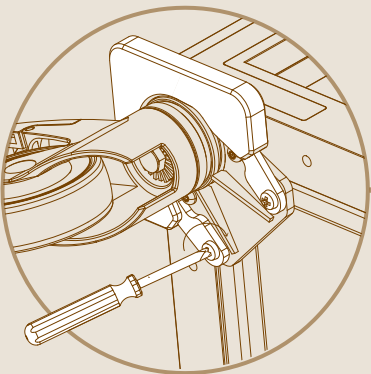
1

Slip each Bumper on the designated slot on the casters.



2

Use 2 screws to secure the bumper onto the base frame.



**GREAT JOB, YOUR GOOD TO GO!**