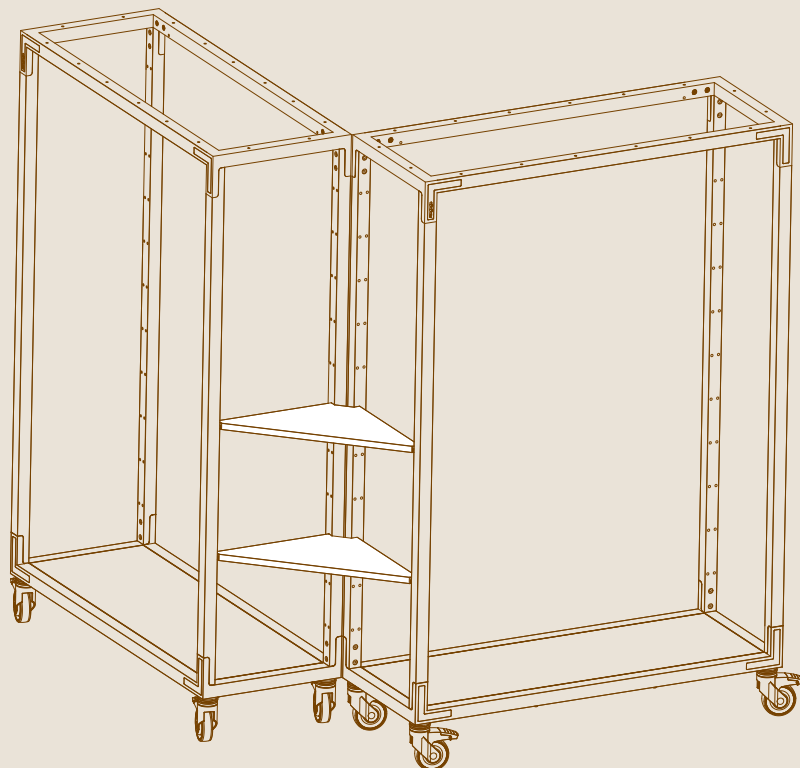


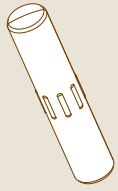
CORNER SHELF CONNECTOR

ASSEMBLY INSTRUCTIONS



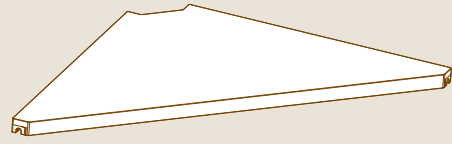
PARTS

x8



NYLON DOWEL PIN

x2

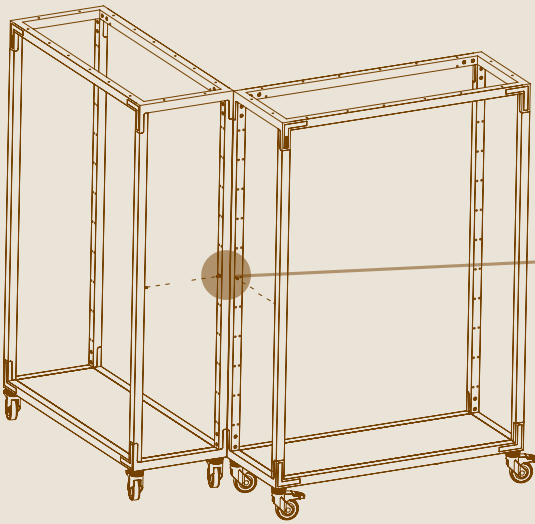


CORNER SHELF CONNECTOR

ASSEMBLY

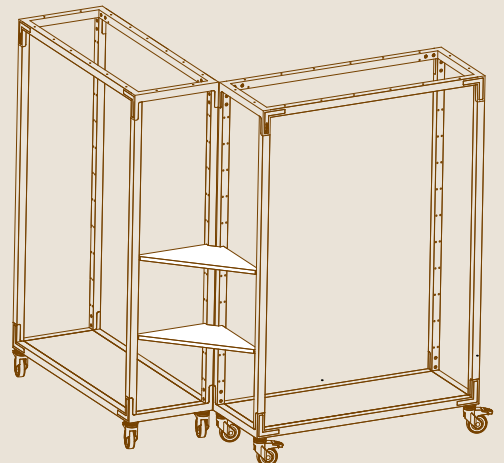
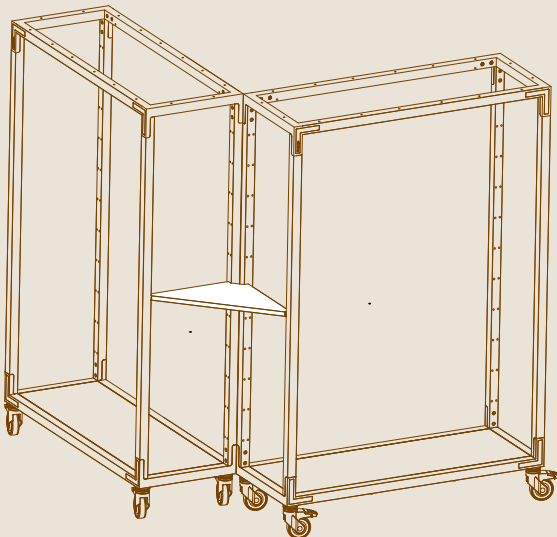
1

Insert 2 pins into each of the outer holes of both units, making sure you locate them at the same height.



2

Place and snap the Corner Shelf Connector onto the pins. It is recommended that both corner shelf connectors be used at different heights.



GREAT JOB, YOUR GOOD TO GO!