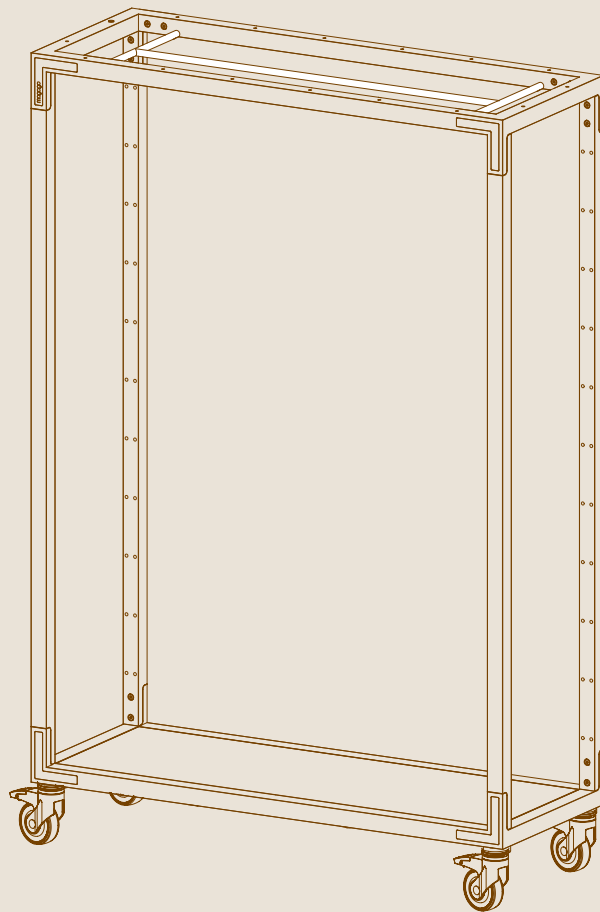


mogogo
BUFFET SOLUTIONS

Canvas
SHELVING SYSTEM

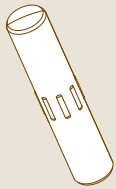
TOP FRAME HANGER BAR

ASSEMBLY INSTRUCTIONS



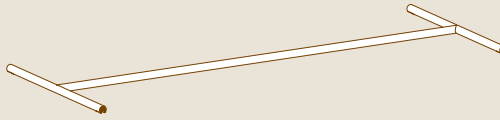
PARTS

x4



NYLON DOWEL PIN

x1

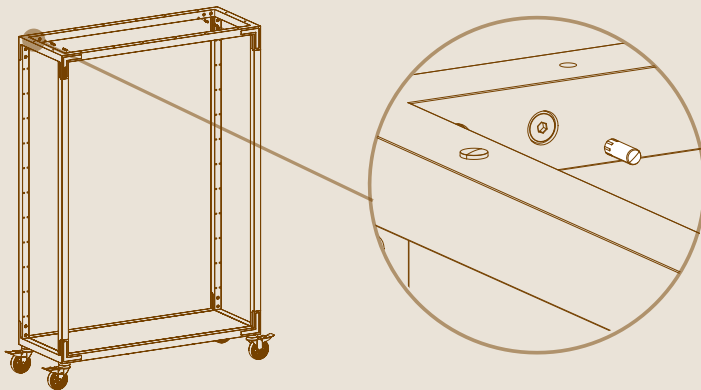


TOP FRAME HANGER BAR

ASSEMBLY

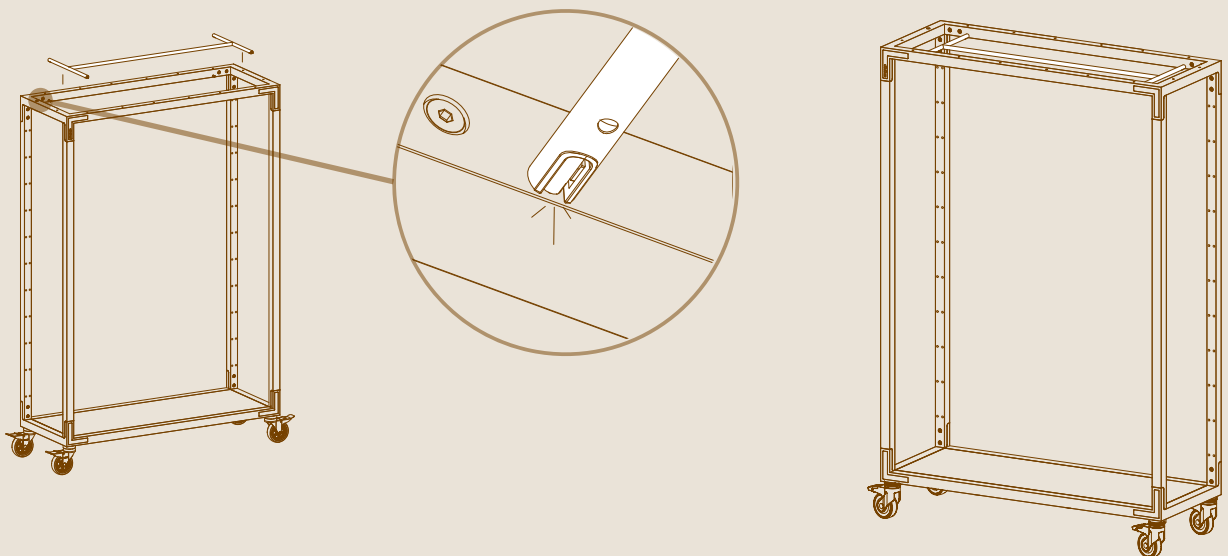
1

Insert 4 pins into the 4 holes located in the top frame.



2

Place and snap the top frame hanger bar on the pins.



GREAT JOB, YOUR GOOD TO GO!