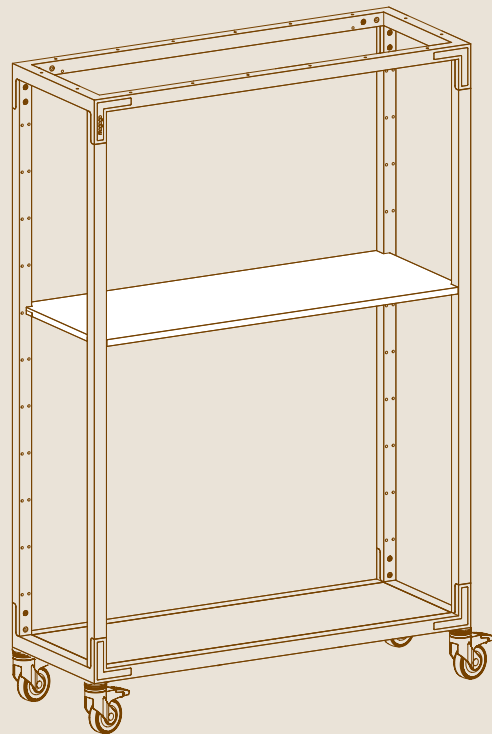
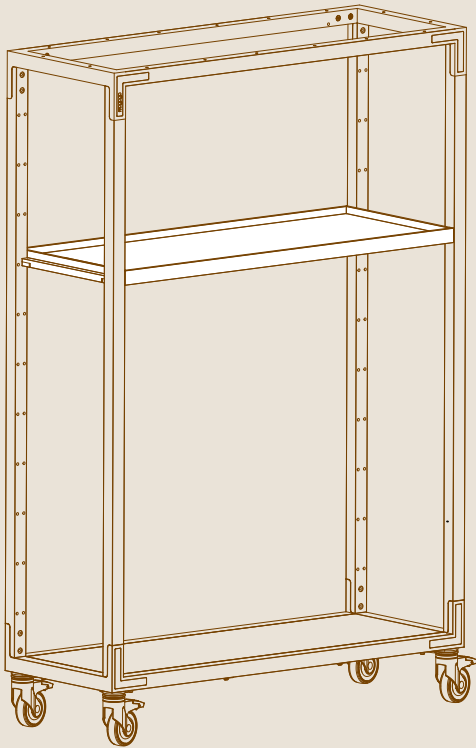


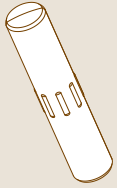
Canvas
SHELVING SYSTEM

SHELF / SHELF WITH BORDER
ASSEMBLY INSTRUCTIONS



PARTS

X4



NYLON DOWEL PIN

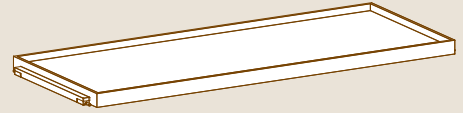
X1



SHELF

OR

X1

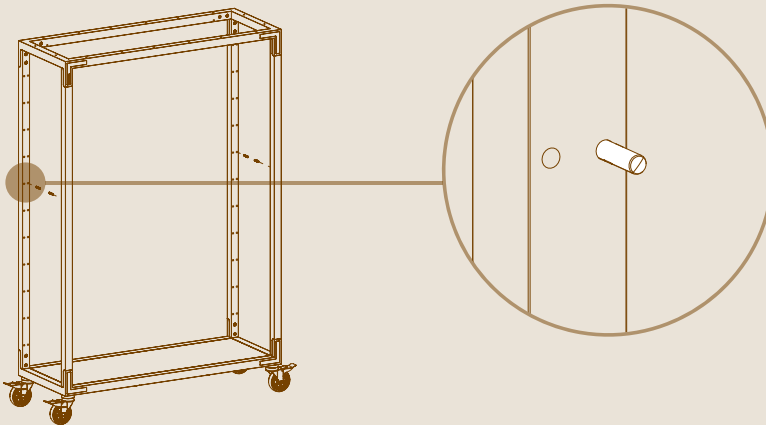


SHELF WITH BORDER

ASSEMBLY

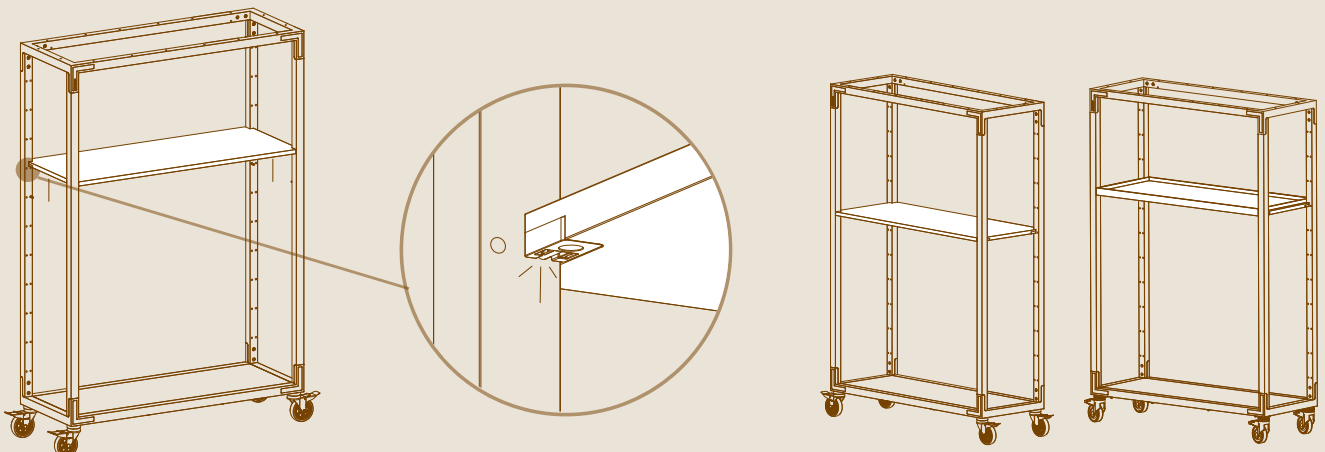
1

Insert 4 pins to Canvas unit's inner holes.
Make sure all pins are the same height.



2

Place and snap the shelf on the pins.



GREAT JOB, YOUR GOOD TO GO!