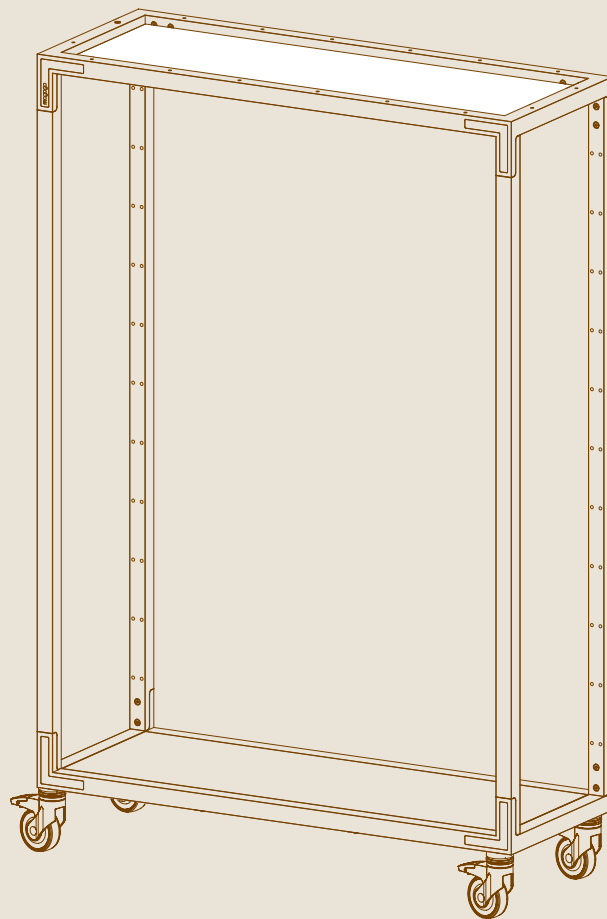


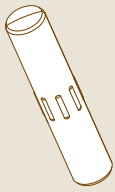
Canvas
SHELVING SYSTEM

TOP SHELF
ASSEMBLY INSTRUCTIONS



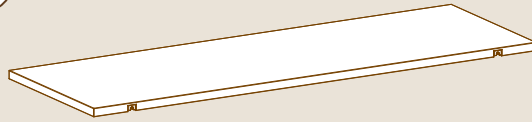
PARTS

X4



NYLON DOWEL PIN

X1

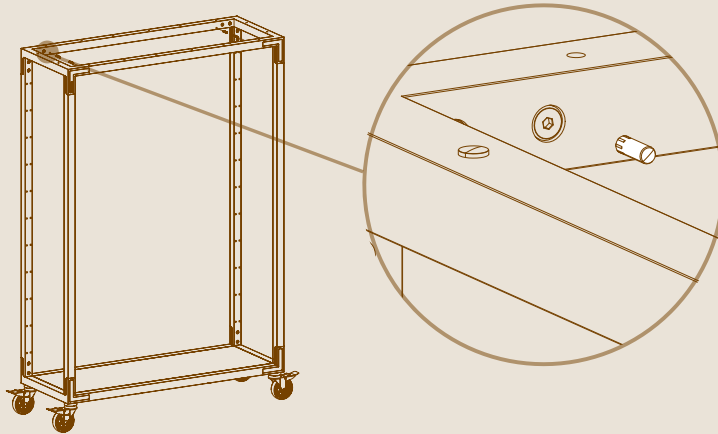


TOP SHELF

ASSEMBLY

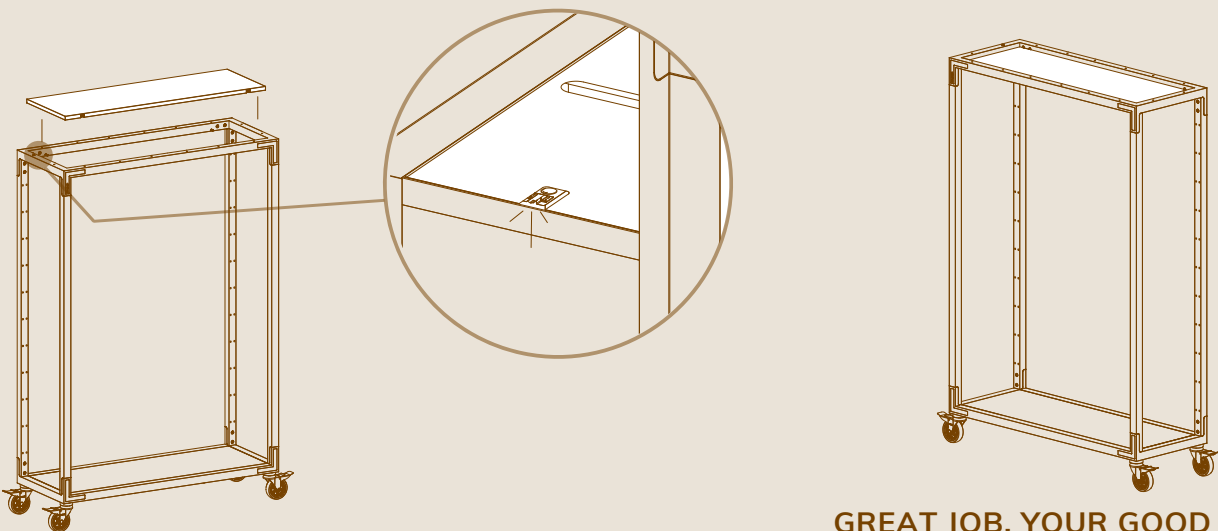
1

Insert 4 pins into the 4 holes located in the top frame.



2

Place and snap the top shelf on the pins.



GREAT JOB, YOUR GOOD TO GO!