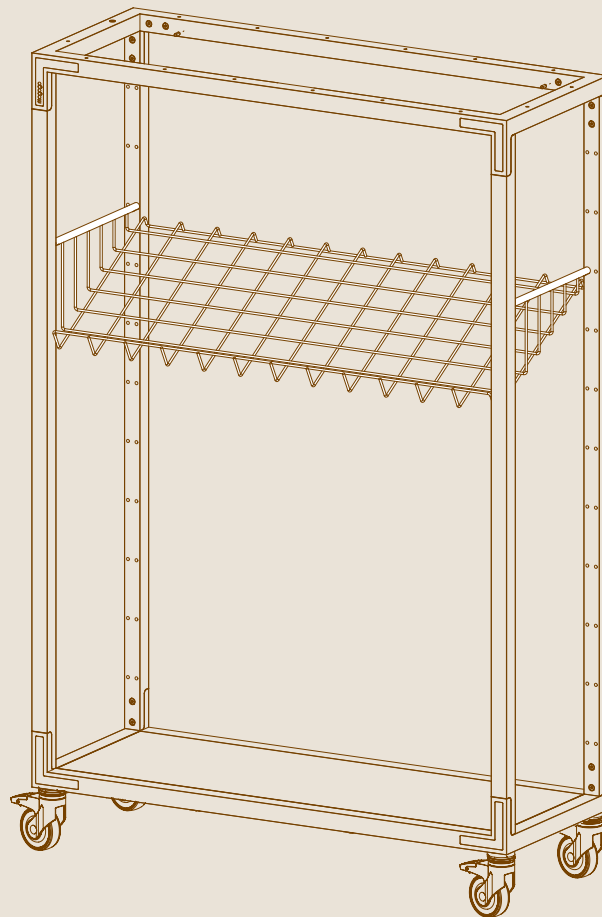


Canvas  
SHELVING SYSTEM

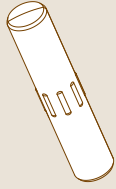
---

**ANGLED SHELF**  
ASSEMBLY INSTRUCTIONS



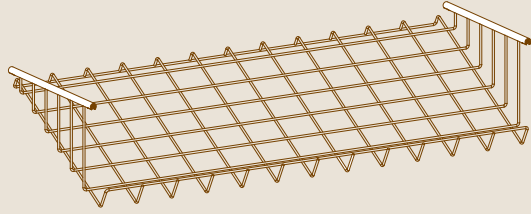
# PARTS

X4



NYLON DOWEL PIN

X1

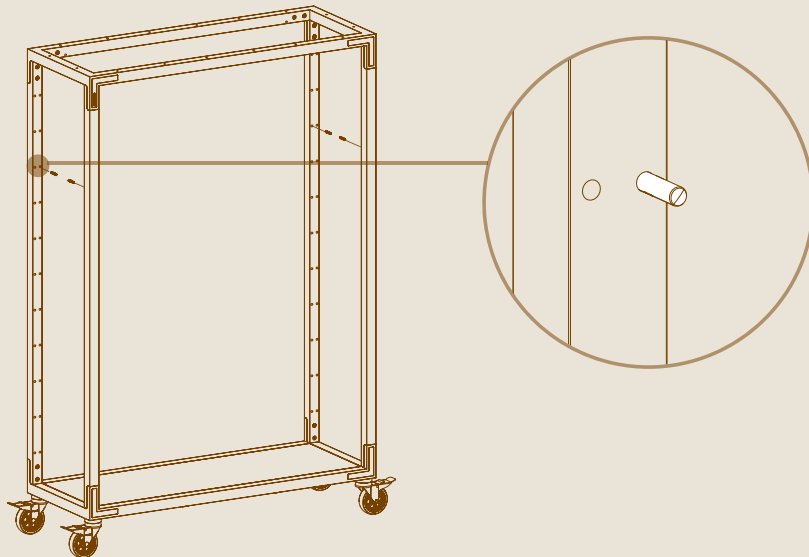


ANGLED SHELF

# ASSEMBLY

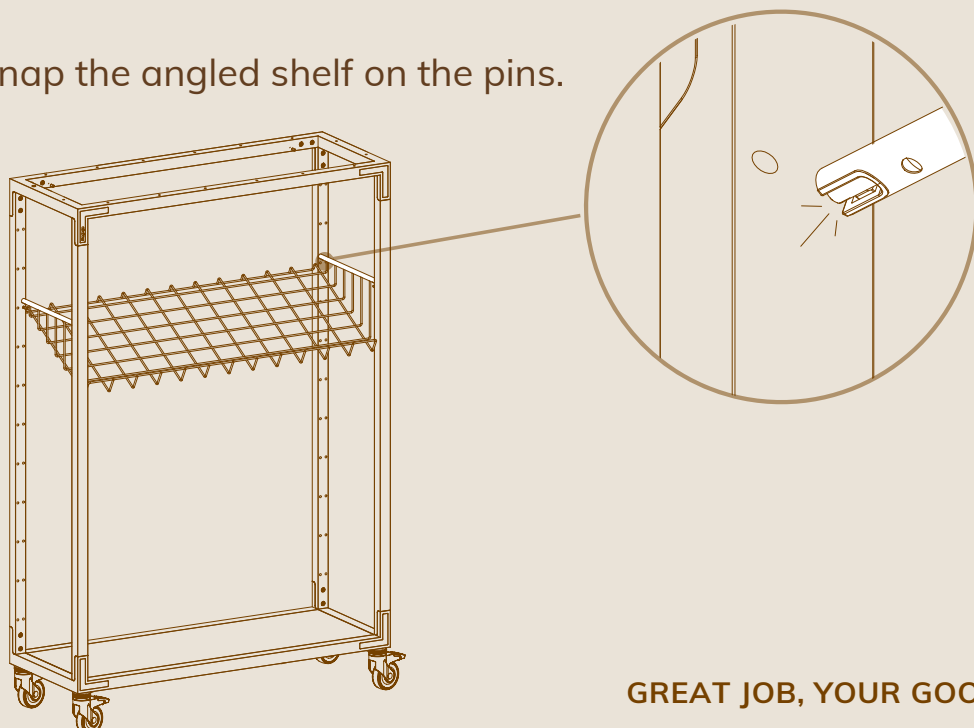
1

Insert 4 pins to Canvas unit's inner holes.  
Make sure all pins are the same height.



2

Place and snap the angled shelf on the pins.



**GREAT JOB, YOUR GOOD TO GO!**