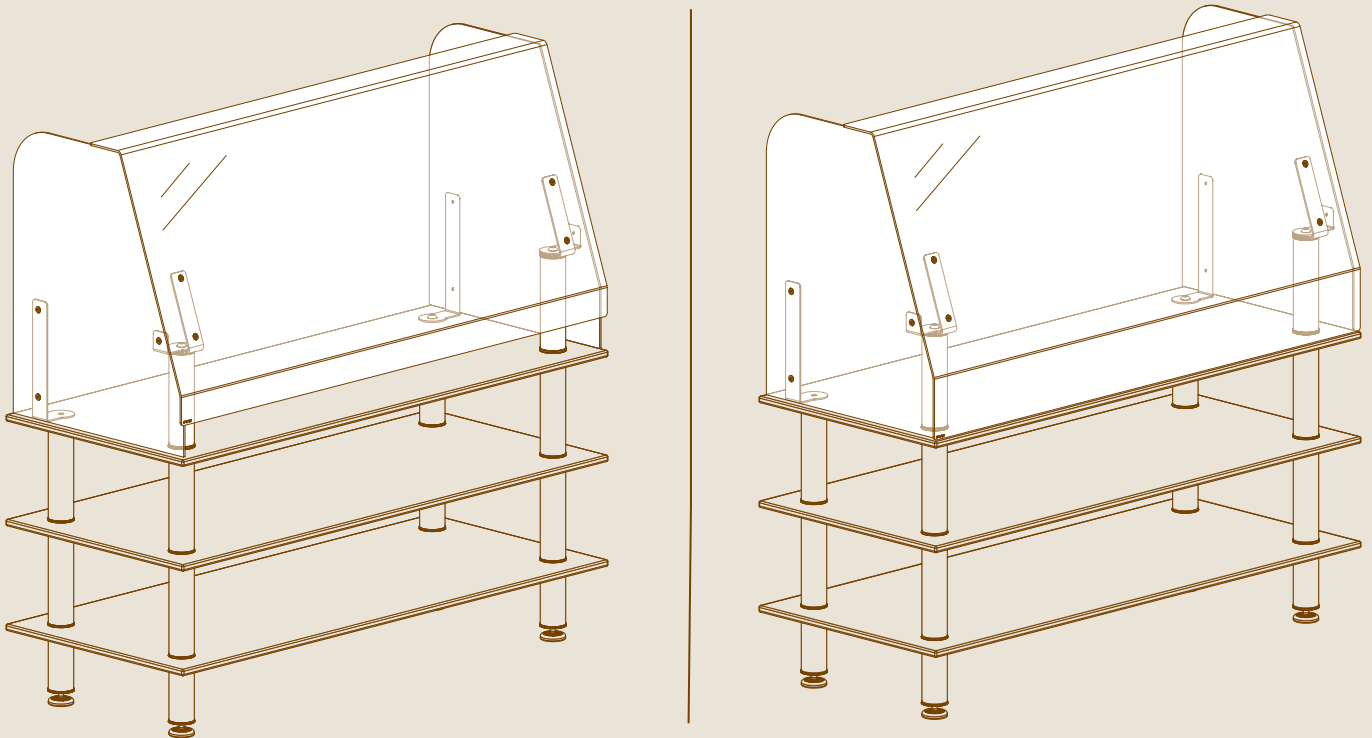


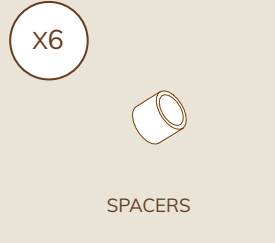
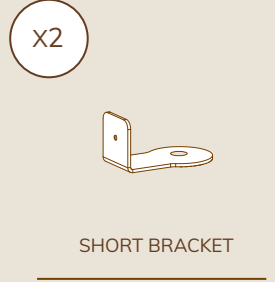
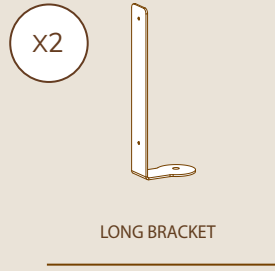
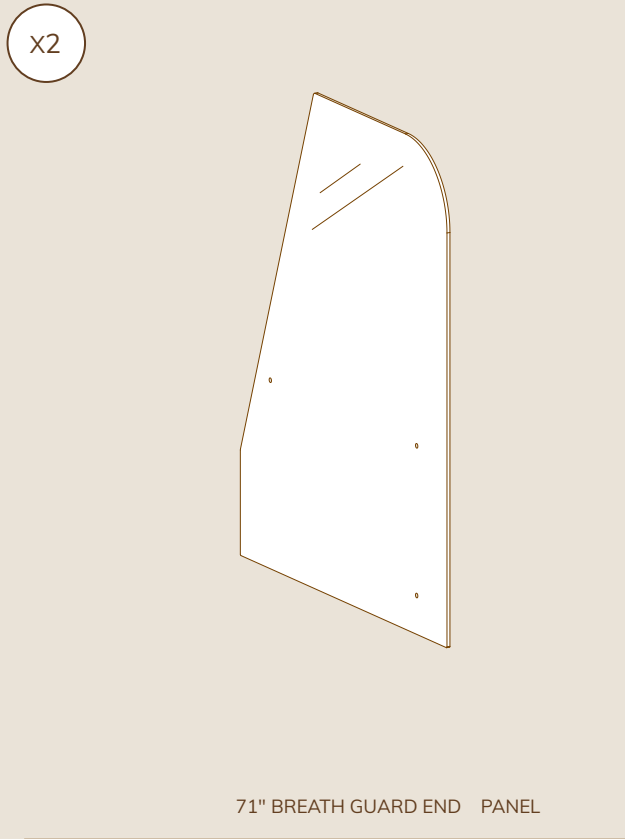
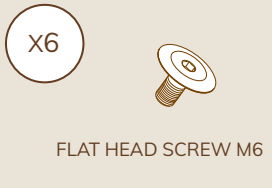
# Modular

SYSTEM

## END PANELS ACRYLIC SNEEZE GUARD ASSEMBLY INSTRUCTIONS

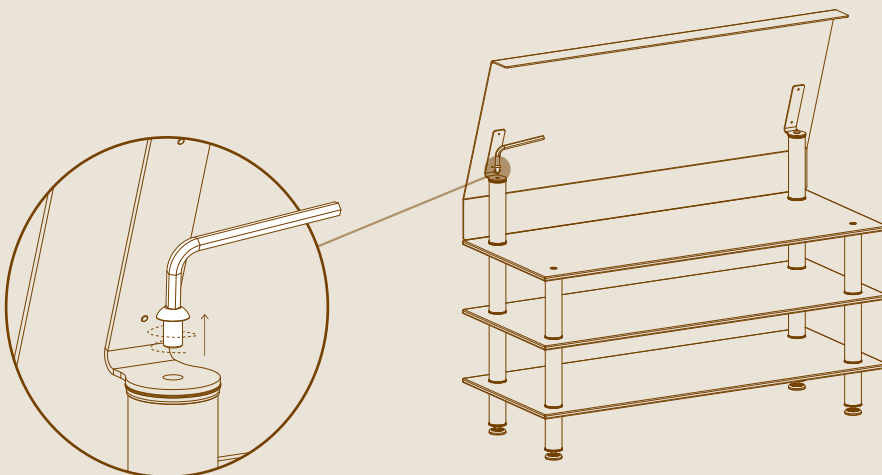


# PARTS



## ASSEMBLY

- 1 UNSCREW ROUNDED CAP M16 WITH ALLEN KEY.

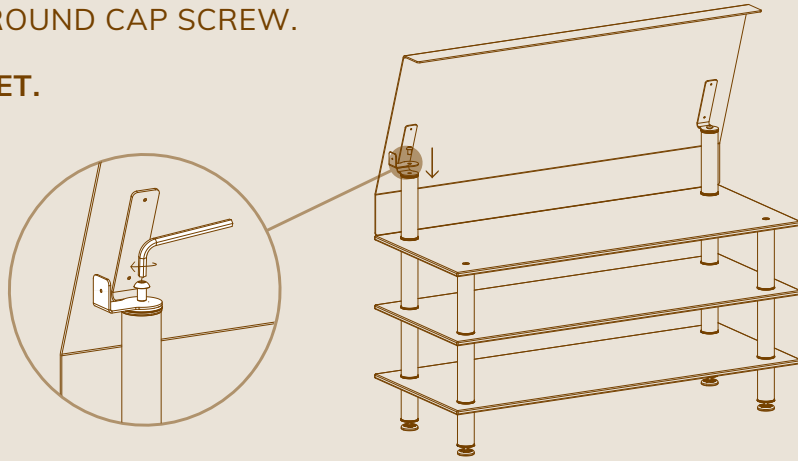


2

PLACE THE SHORT BRACKET ON THE SEGMENT.

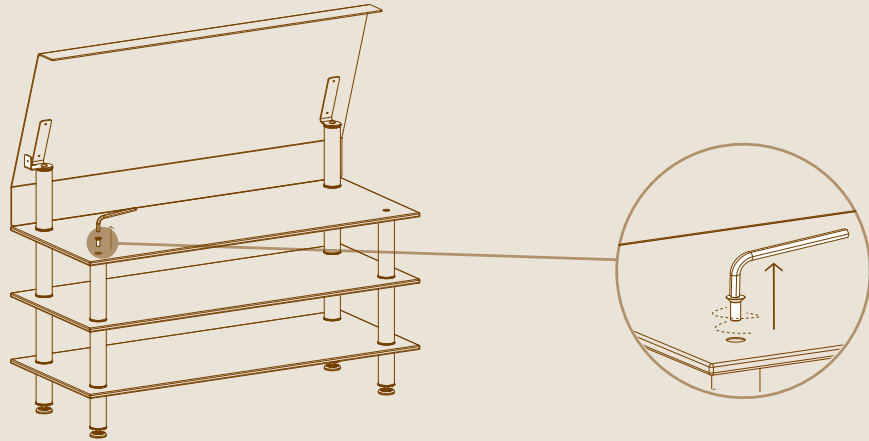
SCREW BACK THE ROUND CAP SCREW.

DO NOT TIGHTEN YET.



3

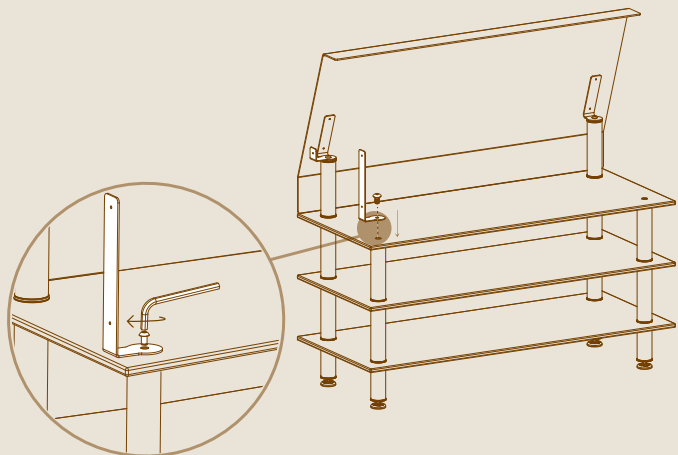
UNSCREW FLAT HEAD SCREW.

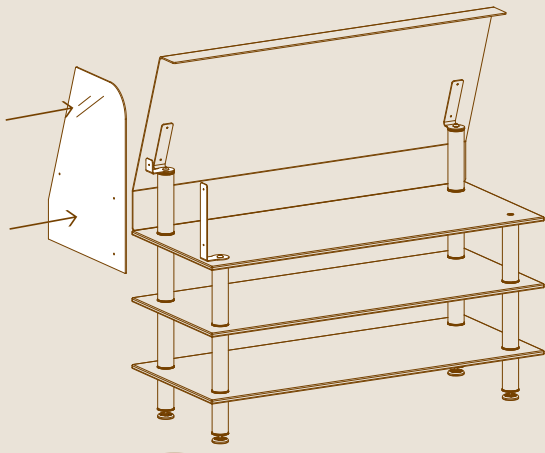


4

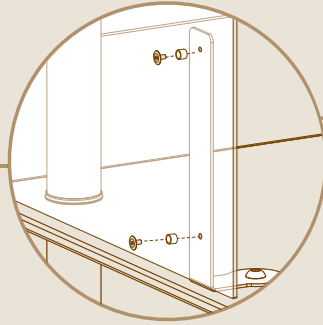
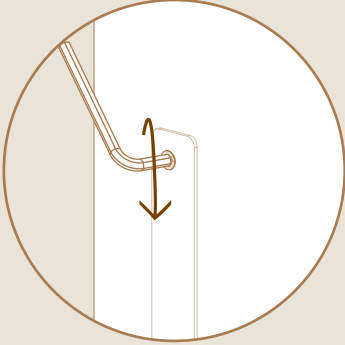
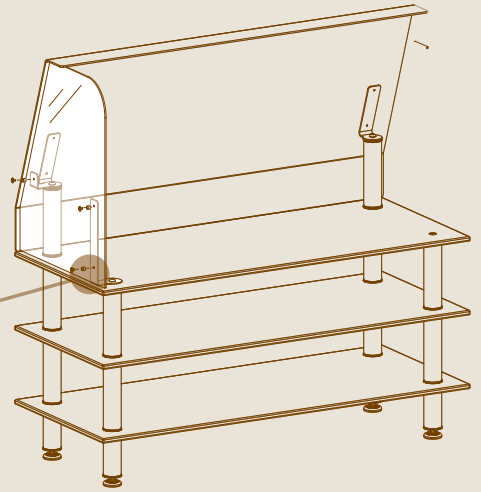
PLACE THE LONG BRACKET ON TOP AND SCREW BACK THE ROUND CAP SCREW.

DO NOT TIGHTEN YET.

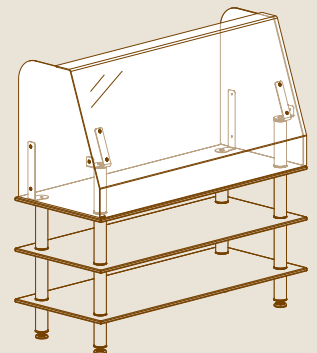
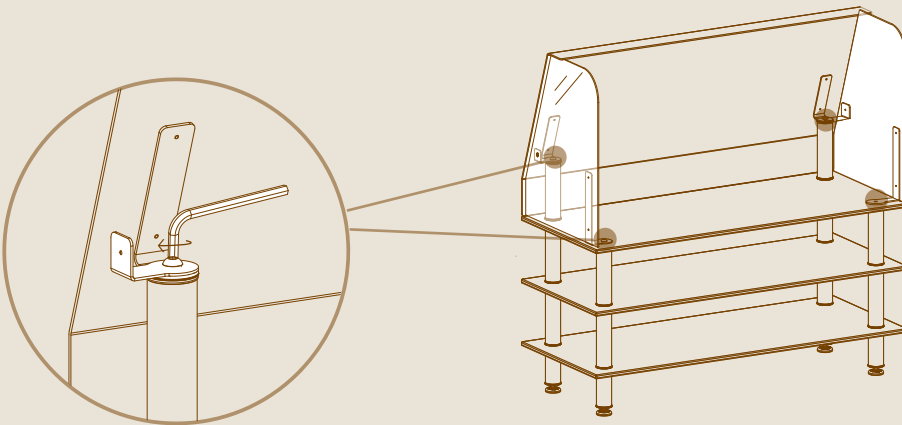




**5** PLACE THE END PANEL AND TIGHTEN GENTLY TOGETHER WITH THE SPACER, REPEAT FOR OTHER SIDE.



**6** TIGHTEN THE SCREWS ON BOTH SIDES.



**GREAT JOB, YOUR GOOD TO GO!**

**ATTENTION!**



Clean acrylic panels with warm water and mild soap and rinse thoroughly with water. Dry with soft cloth to prevent water spots. You can also clean and polish with cleaners made specifically for acrylic, like Novus #1 or Brilliantize.



Dry with a soft sponge to prevent water spots.

- ✗ Never use abrasive or highly alkaline cleansers.
- ✗ Never scrape with razor blades or other sharp instruments.
- ✗ Never use benzene, acetone, or carbon tetrachloride.
- ✗ Never use cleaners such as Windex or 409.