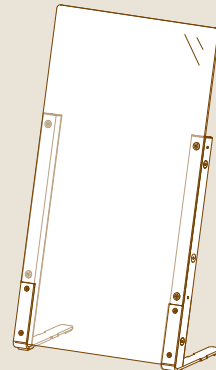
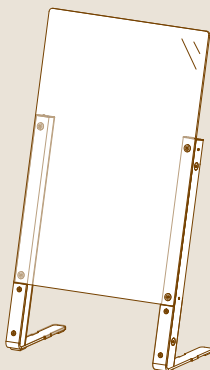
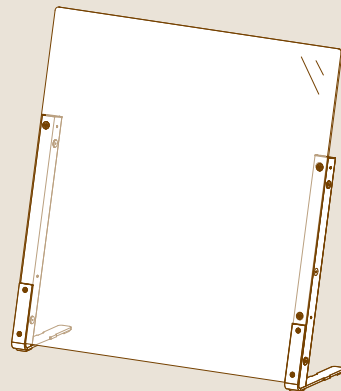
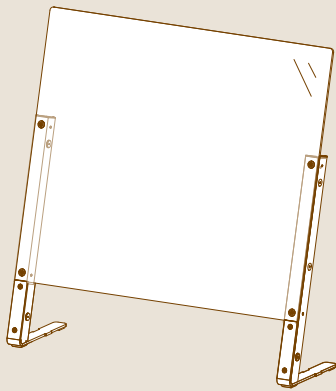


# V-Shield

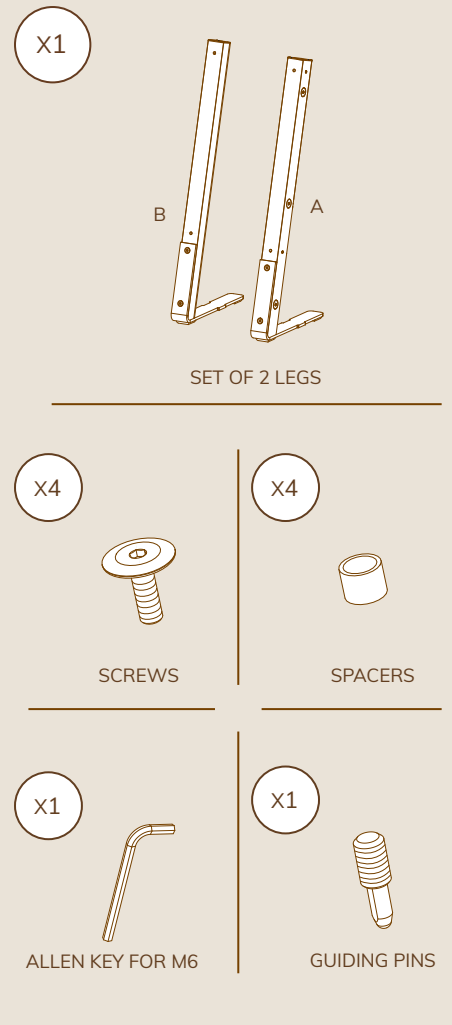
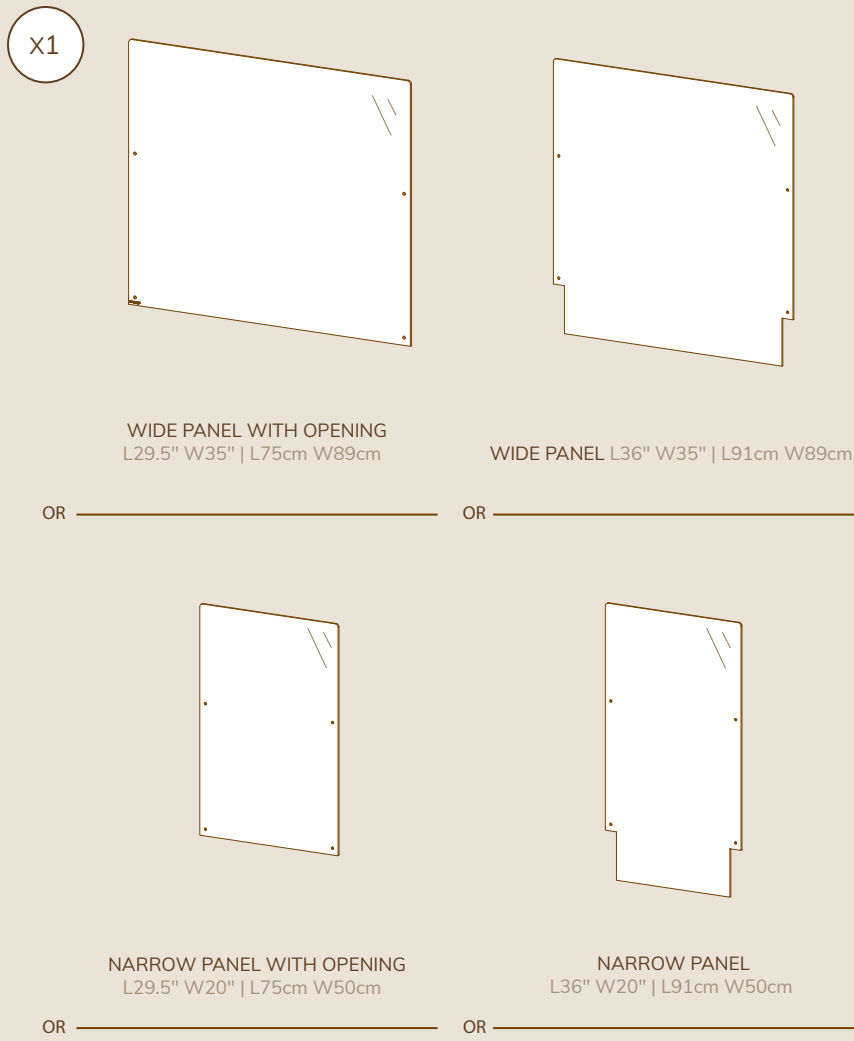
SYSTEM

## WIDE | NARROW SHIELD

ASSEMBLY INSTRUCTIONS



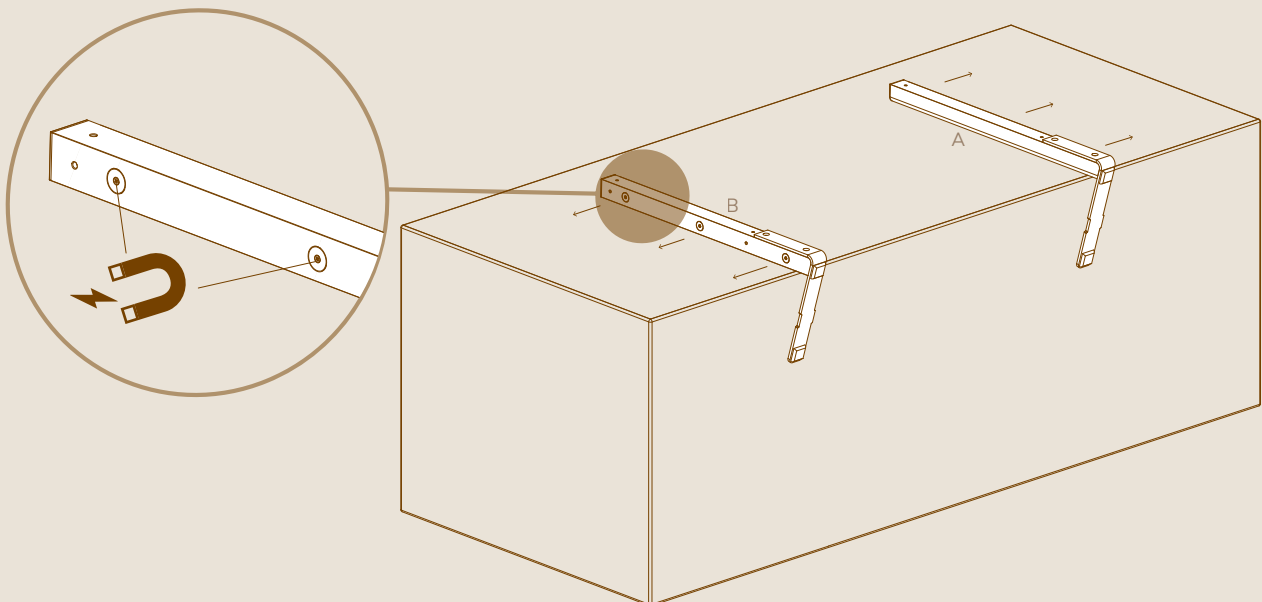
# PARTS



# ASSEMBLY

1

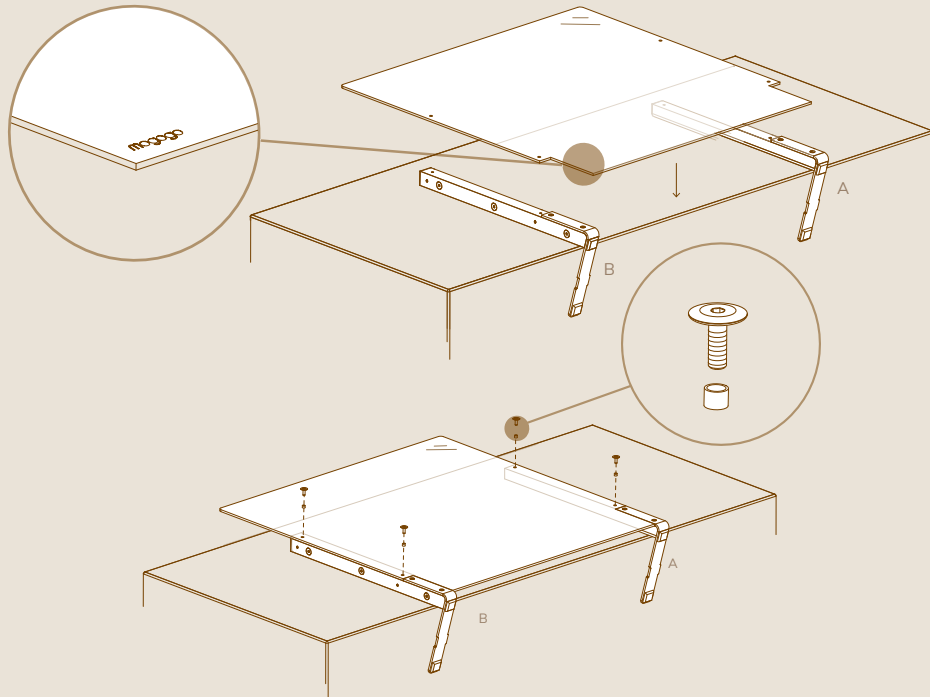
Place both legs with magnetic elements facing outwards as shown.



2

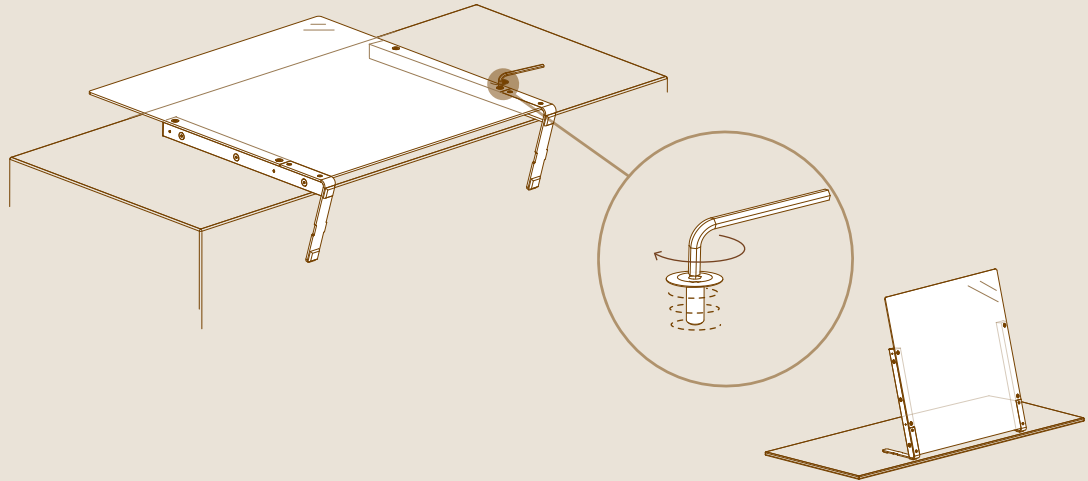
Place gently.

Notice the logo should be on your left.



3

Tighten gently all 4 screws.



**GREAT JOB, YOUR GOOD TO GO!**

**ATTENTION!**



Clean acrylic panels with warm water and mild soap and rinse thoroughly with water. Dry with soft cloth to prevent water spots. You can also clean and polish with cleaners made specifically for acrylic, like Novus #1 or Brilliance.



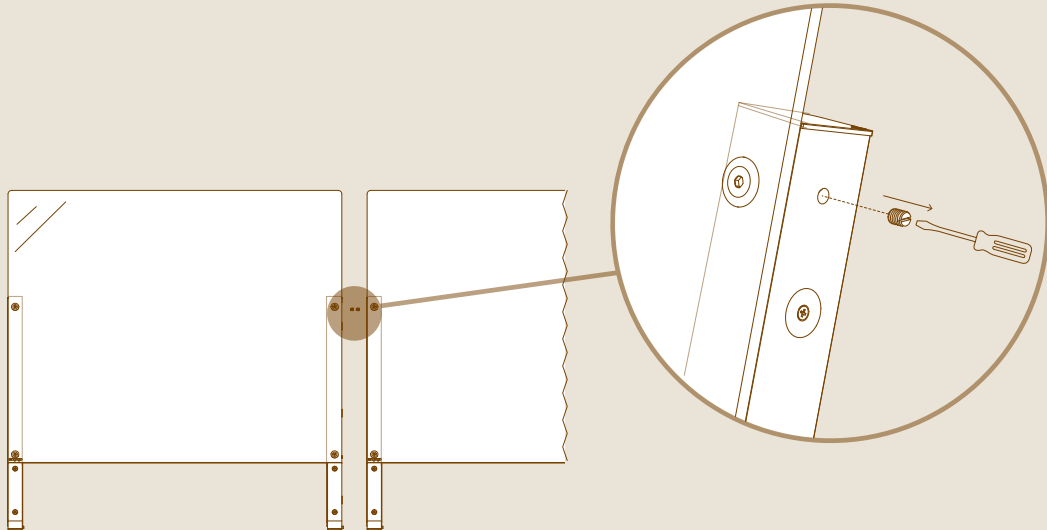
Dry with a soft sponge to prevent water spots.

- ✗ Never use abrasive or highly alkaline cleansers.
- ✗ Never scrape with razor blades or other sharp instruments.
- ✗ Never use benzene, acetone, or carbon tetrachloride.
- ✗ Never use cleaners such as Windex or 409.

## ASSEMBLE 2 SHIELDS AND MORE

1

Unscrew the upper screws using a flat head screwdriver in both legs as shown.



2

Screw one guide pin into one of the units and assemble them together.

