

mogogo

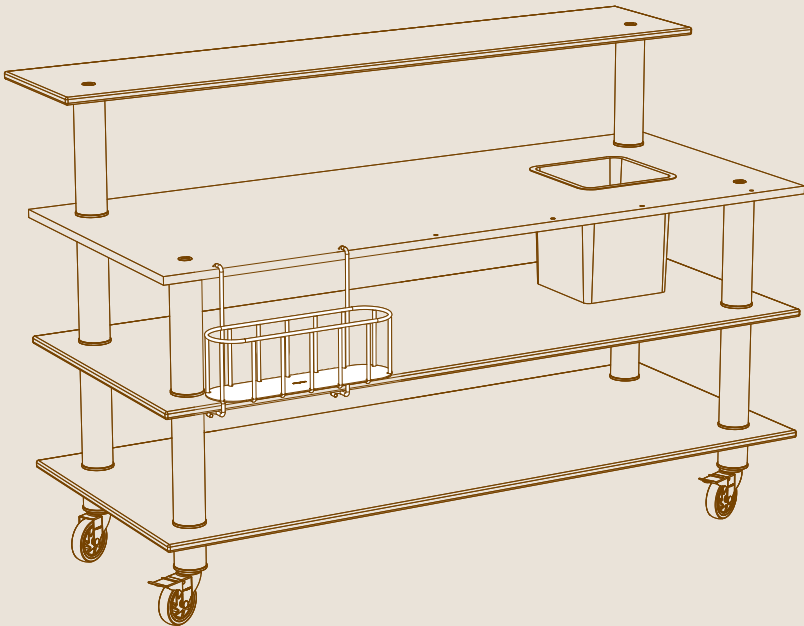
BUFFET SOLUTIONS

Modular

SYSTEM

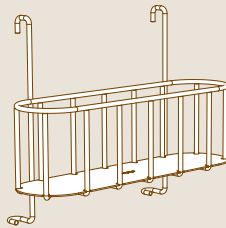
SPEED-RAIL

ASSEMBLY INSTRUCTIONS



PARTS

x1

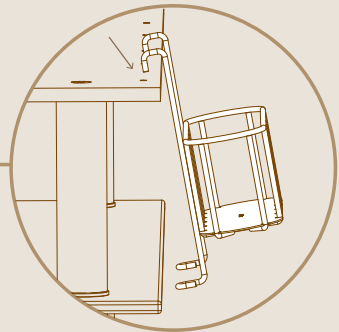
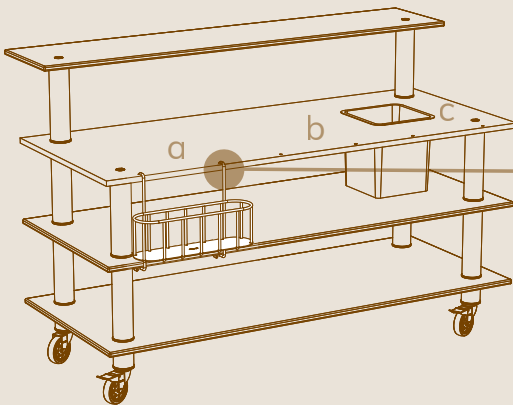


SPEED-RAIL

ASSEMBLY

Speed-Rails can be placed in one or more of three assigned spots (a,b,c), simply by unscrewing the plugs beneath the panel.

* Extra Speed-Rails can be bought separately.



YOU DID IT, WAY TO GO!