

Roll'n
SERVICE CARTS

SERVICE CART SHELVES
ASSEMBLY INSTRUCTIONS

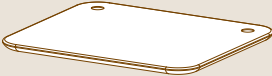



PARTS


X1 
ALLEN KEY FOR M16

X2 
M16 ALLEN SCREWS

X2 
SCREW CAPS

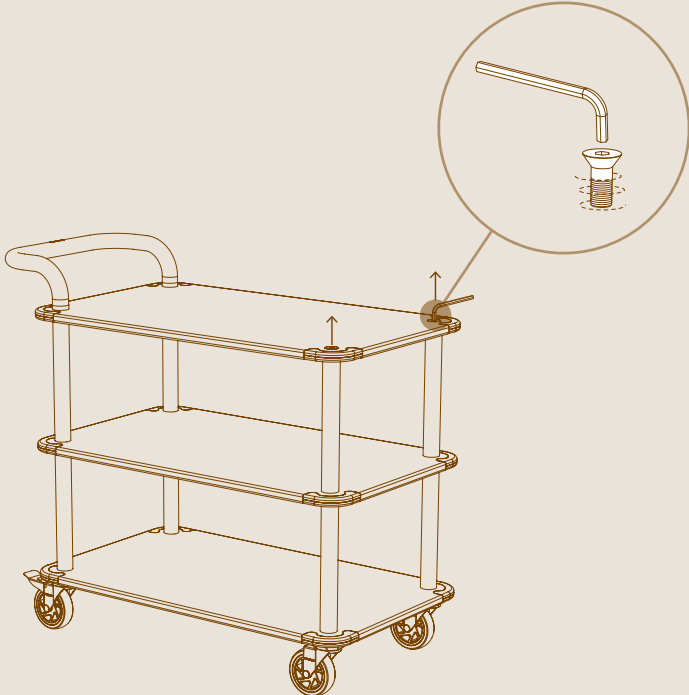
X1 
SERVICE CART SHELF L21" W18" | L53cm W45cm

X1 
SERVICE CART SHELF L21" W10.5" | L53cm W26.5cm

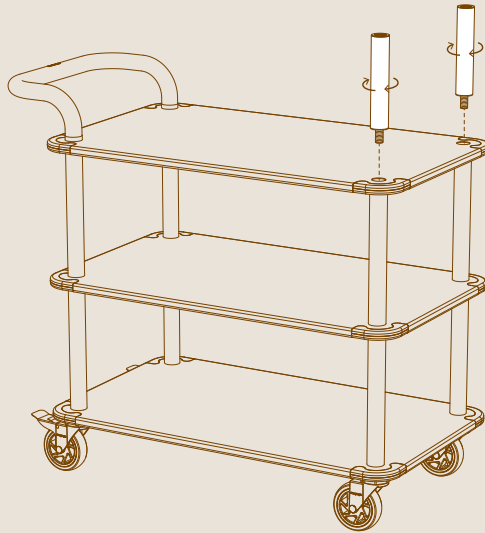
X4 
SHELF SEGMENT L8" | L20cm

ASSEMBLY

1



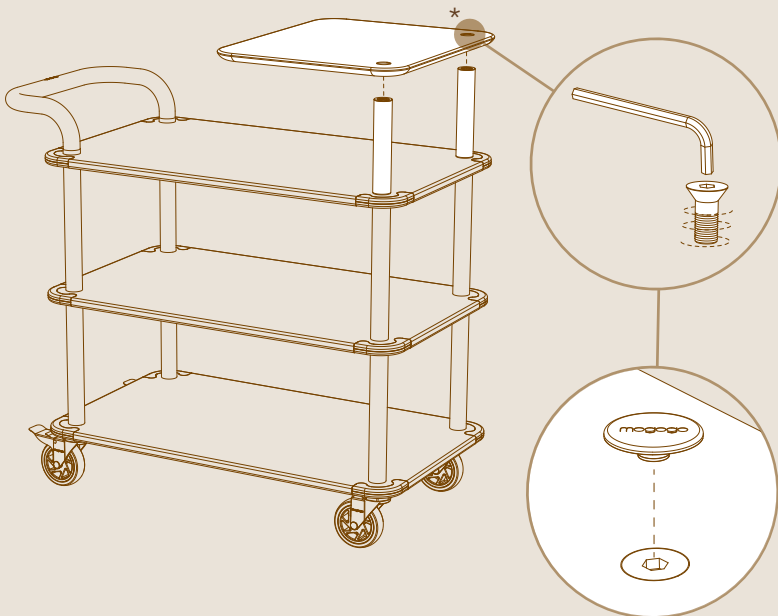
2



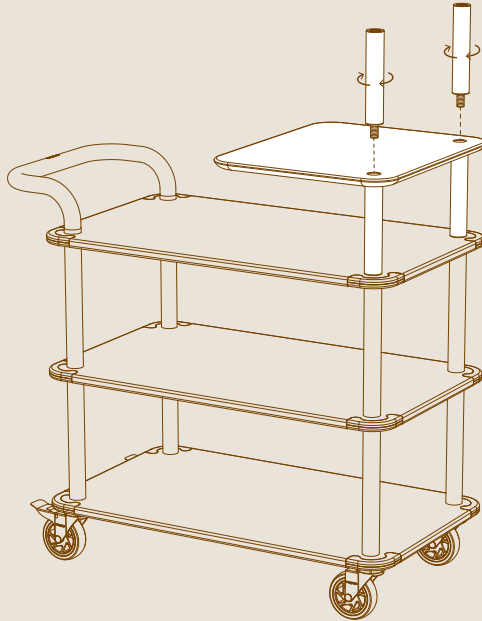
3

* For one shelf close with M16 allen screws and screw caps.

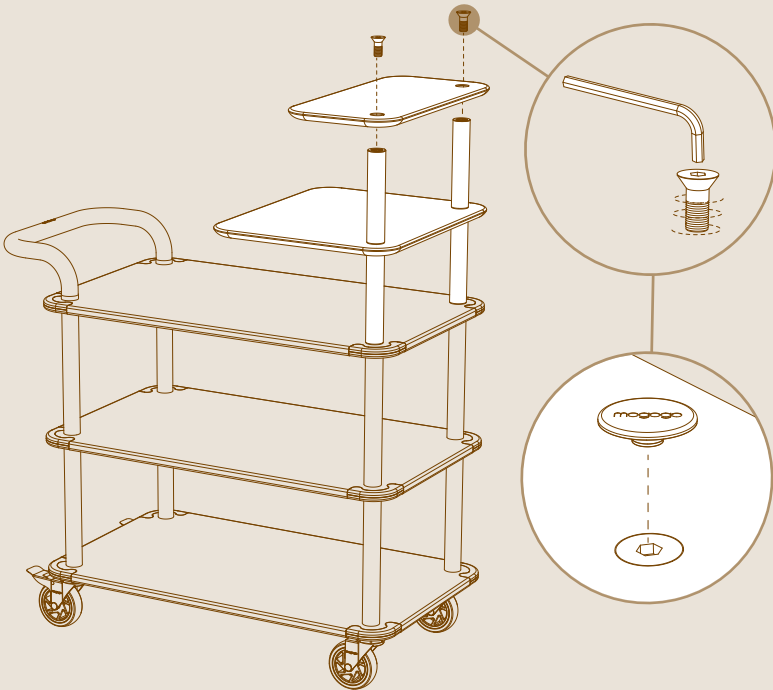
For two shelves skip to step 4.



4



5



YOUR ALL DONE, WAY TO GO!