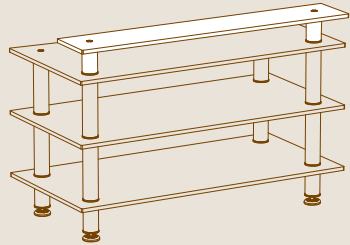
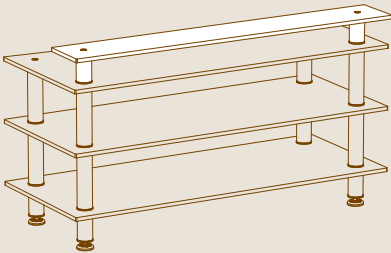
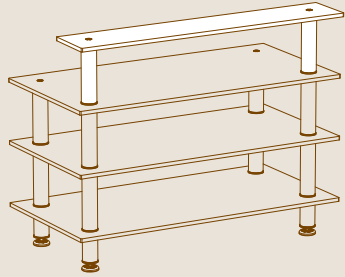
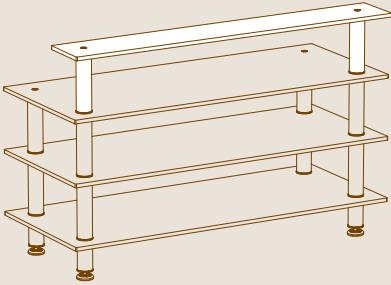


# Modular

SYSTEM

## CLASSIC RANGE LARGE | MEDIUM SHELF

ASSEMBLY INSTRUCTIONS



# PARTS

X1



ALLEN KEY FOR M16

X2



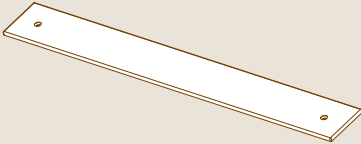
M16 ALLEN SCREWS

X2



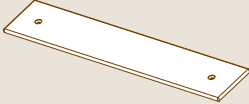
SCREW CAPS

X1




LARGE SHELF L71" W9.5" | L180cm W24cm

OR




MEDIUM SHELF L47" W9.5" | L120cm W24cm

X2



5.7" | 14cm SEGMENTS

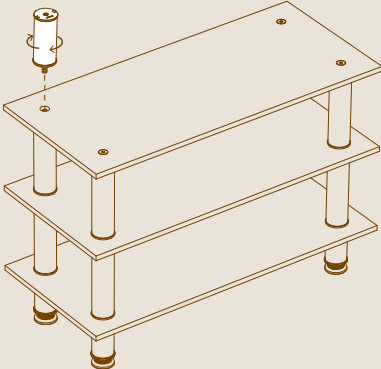
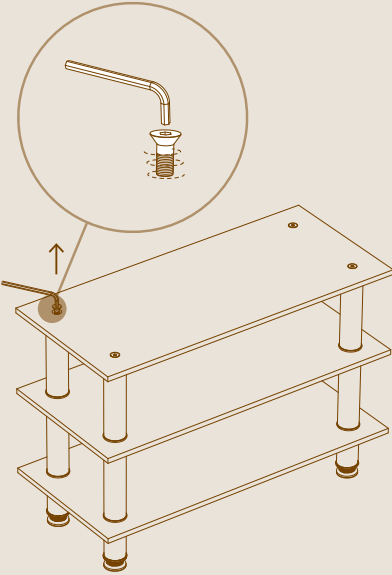
OR



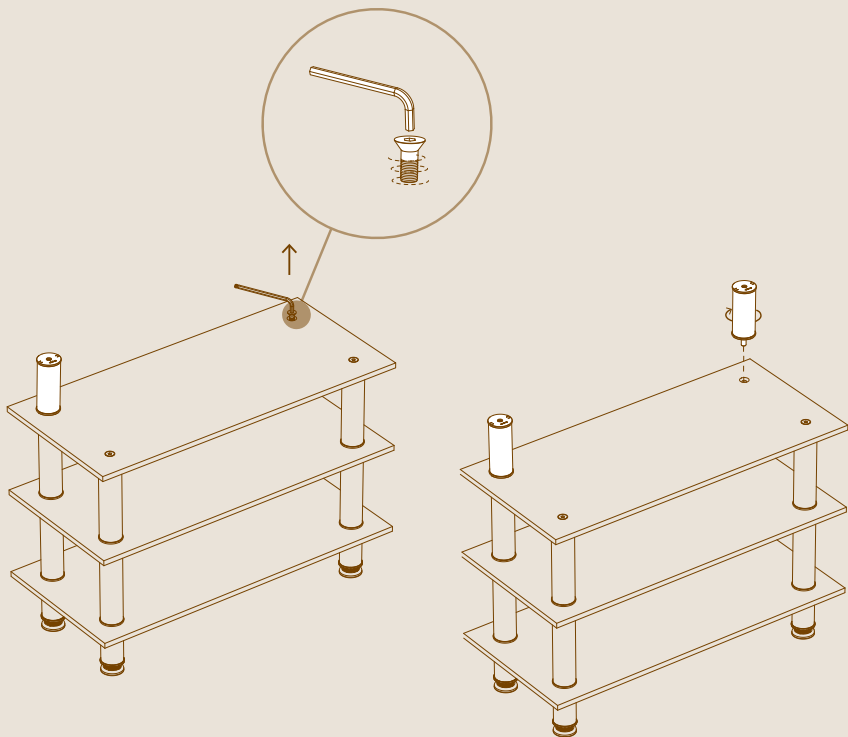
12" | 30cm SEGMENTS

# ASSEMBLY

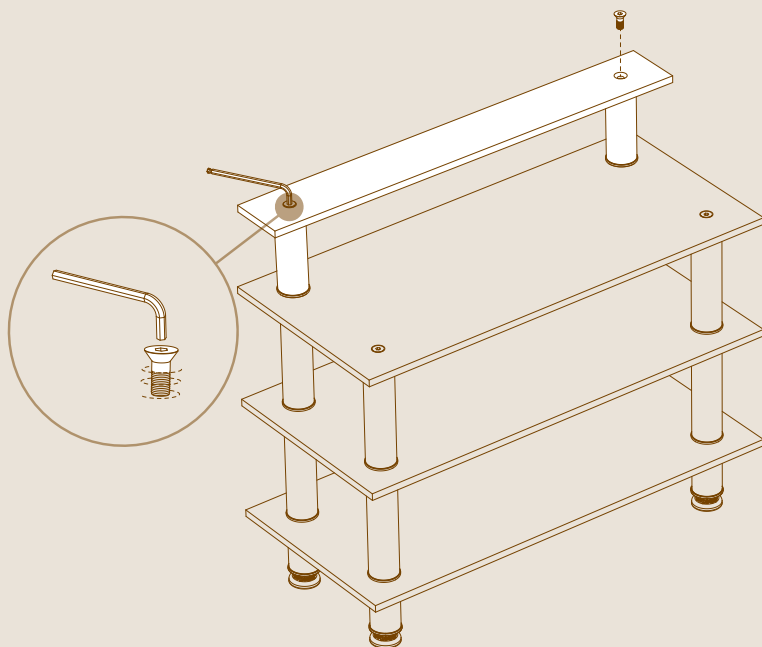
1



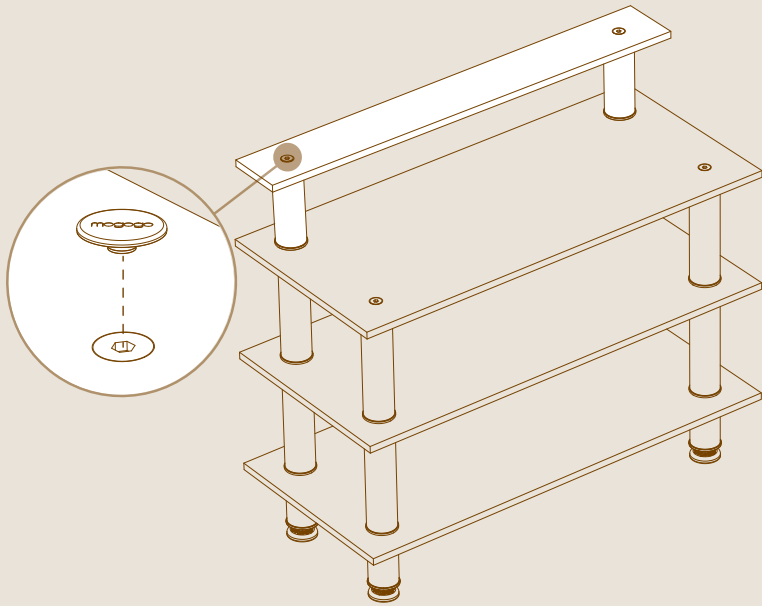
2



3



4



**JOB WELL DONE, WAY TO GO!**