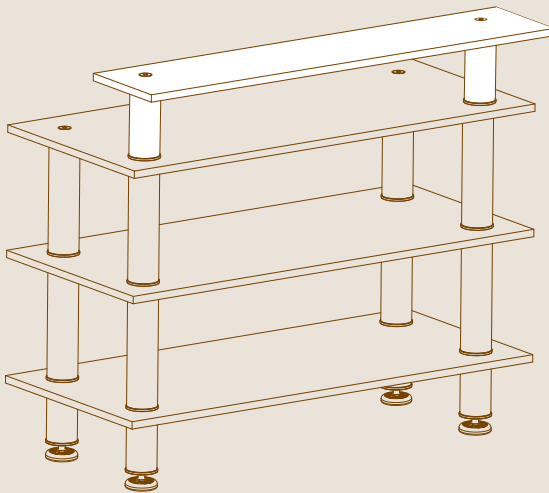


Modular

SYSTEM

EXTENSION SHELF

ASSEMBLY INSTRUCTIONS



PARTS

X1



ALLEN KEY FOR M16

X2



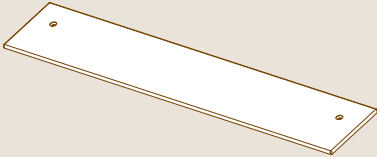
M16 ALLEN SCREWS

X2




SCREW CAPS

X1



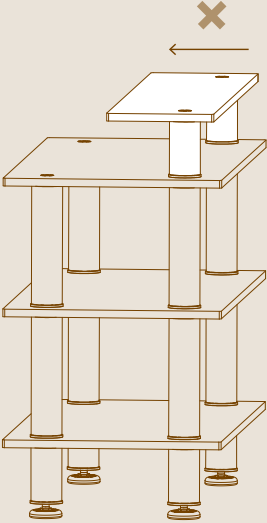
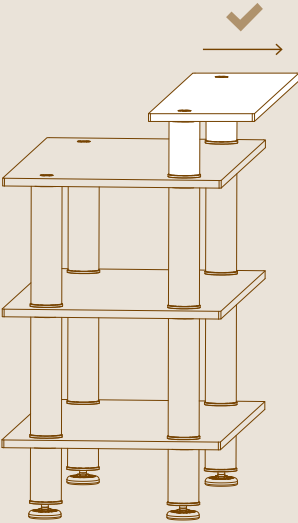
EXTENSION SHELF L47" W10" | L120cm W25cm

X2



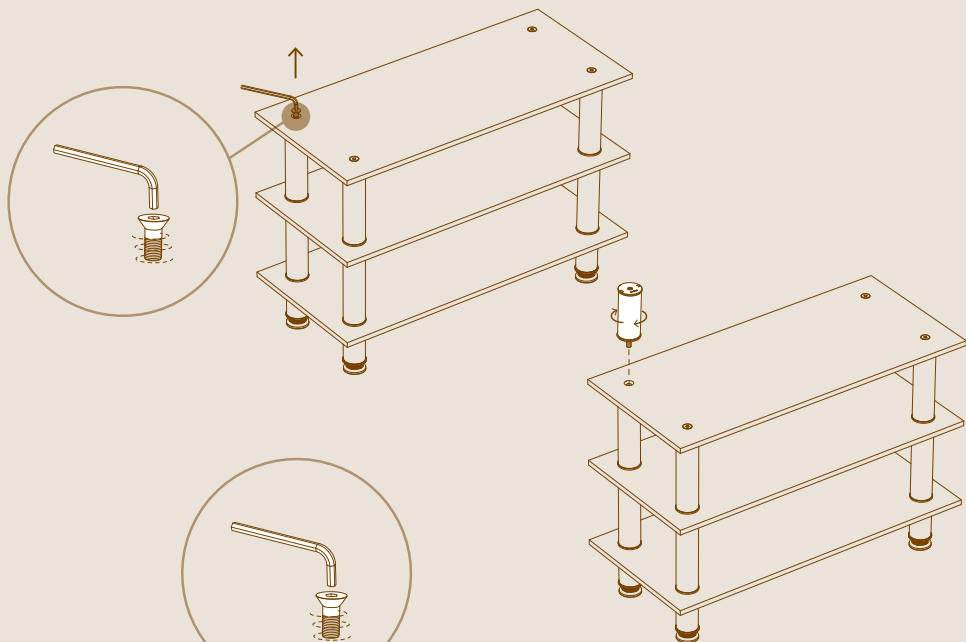
5.7" | 14cm SEGMENTS

! Please notice: shelf should be sticking out from the Extension Unit.

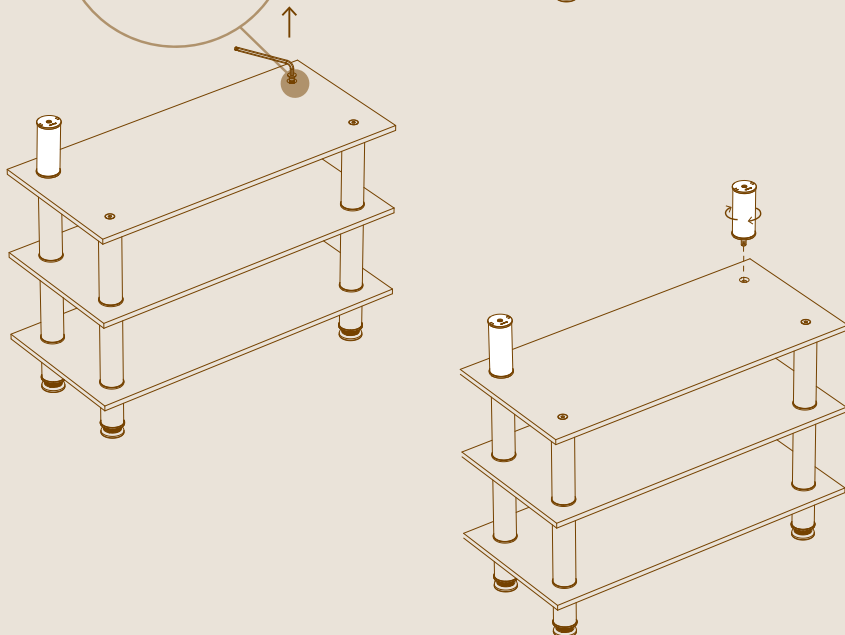


ASSEMBLY

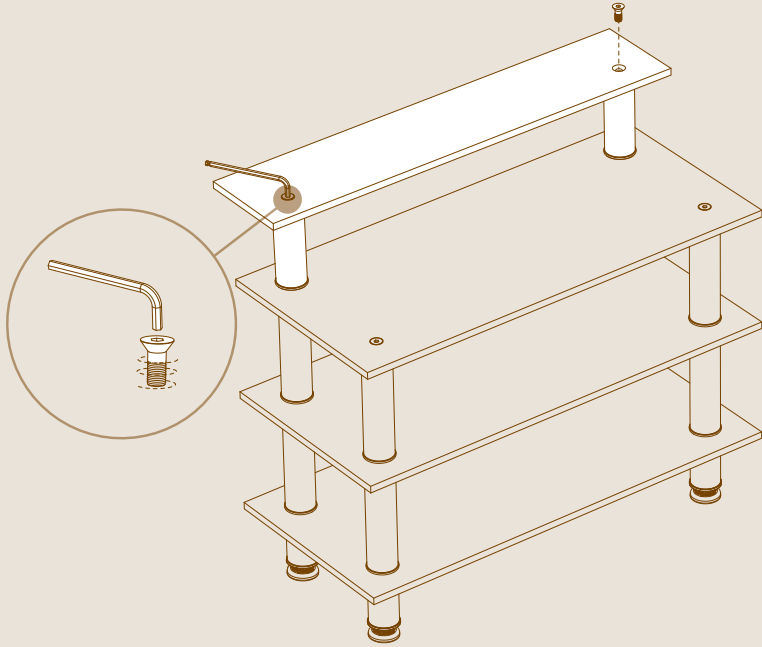
1



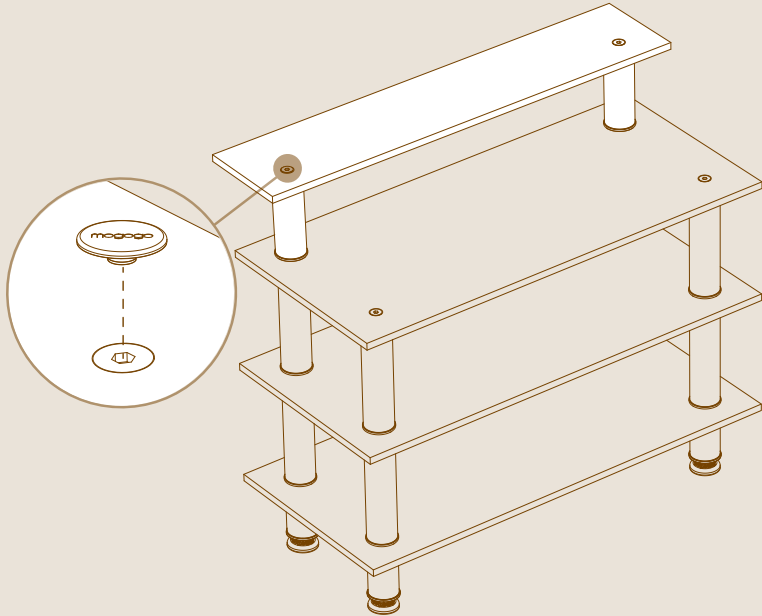
2



3



4



YOUR ALL DONE, WAY TO GO!