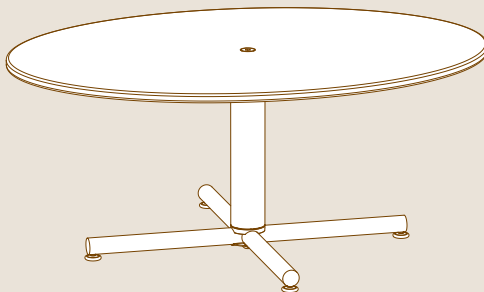
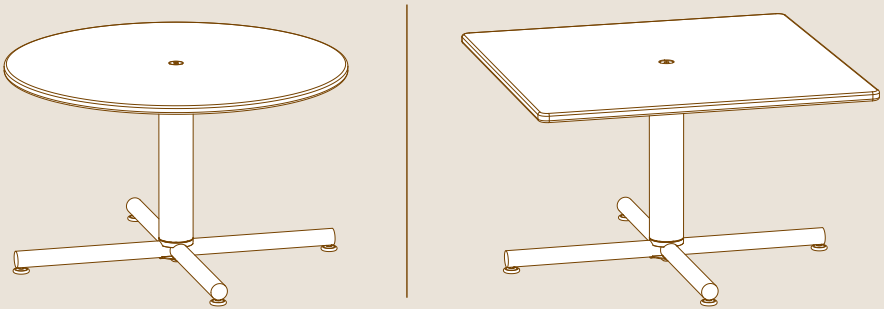
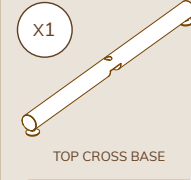
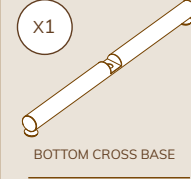
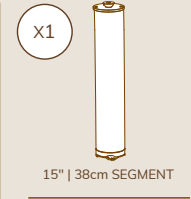
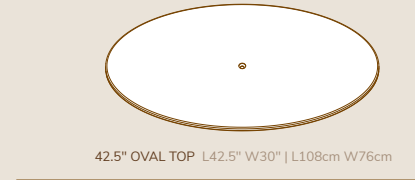
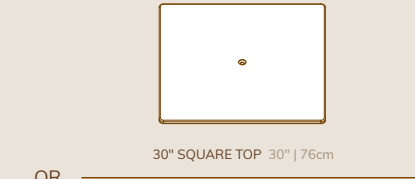
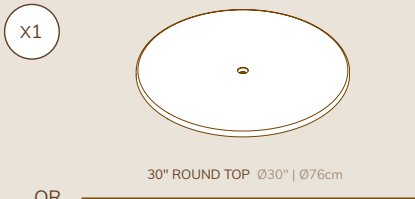


POLO
TABLES

COFFEE TABLES
ASSEMBLY INSTRUCTIONS

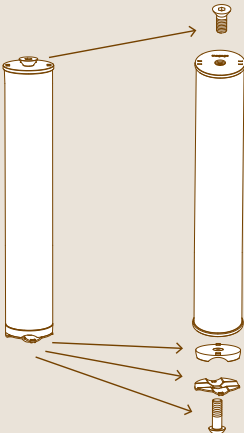


PARTS



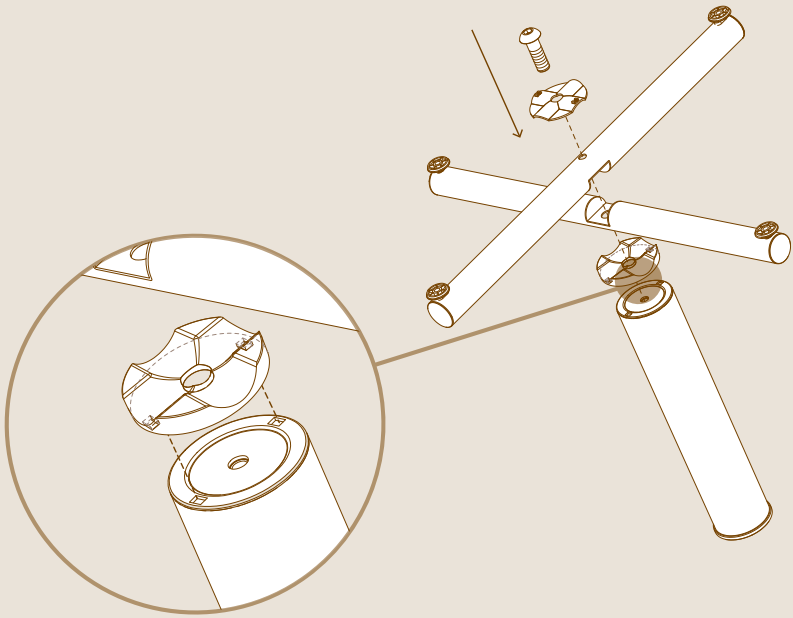
ASSEMBLY

- 1 Unscrew the top and bottom screws to disassemble 15" segment into parts.

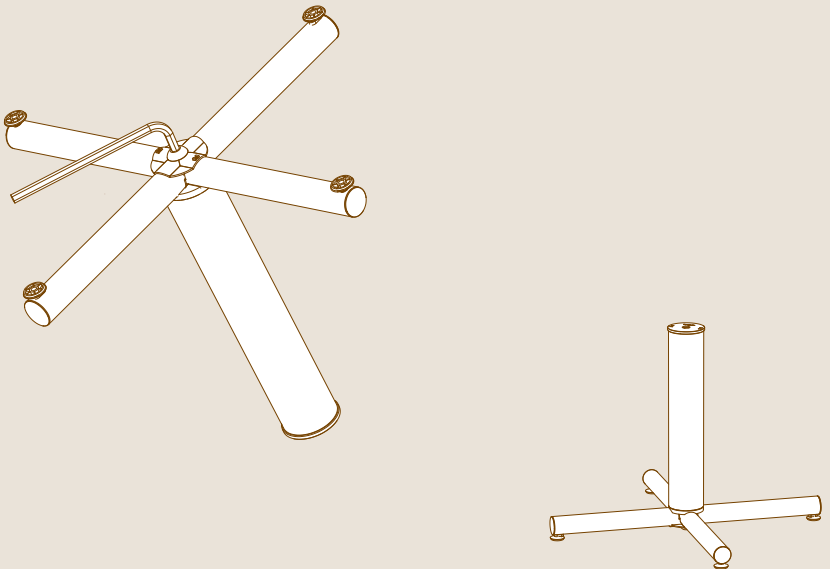


2

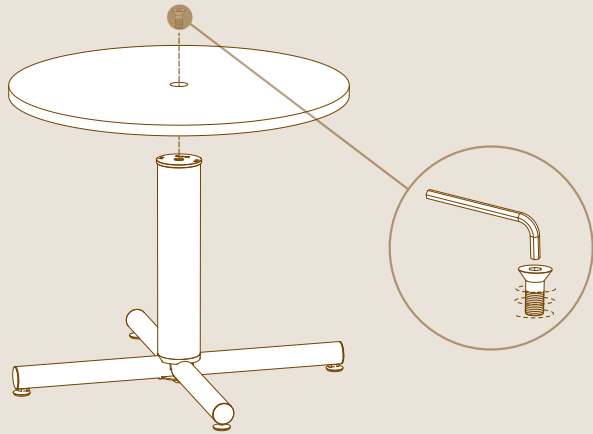
Make sure the pins are inserted into the main pole holes.



3

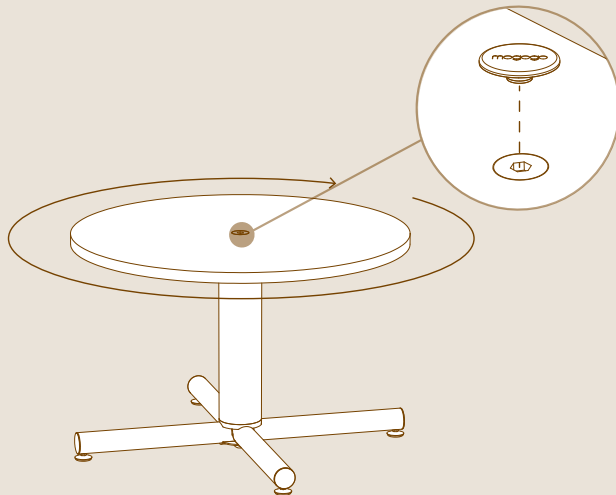


4



5

Tighten the tabletop by turning the plate clockwise by hand.



YOU DID IT, WAY TO GO!