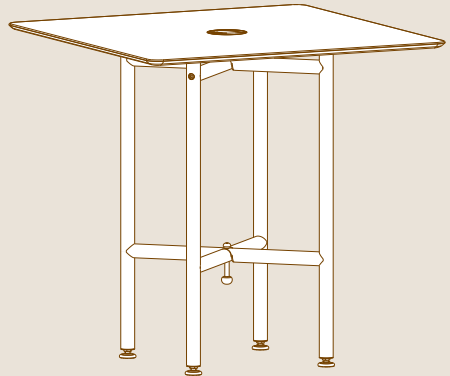
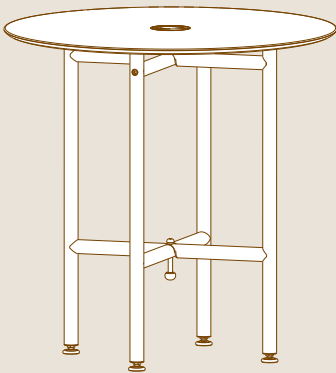




TABLES

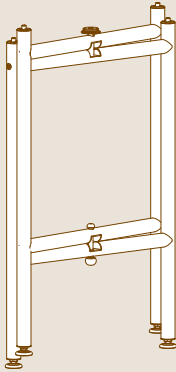
ROUND / SQUARE TOPS

ASSEMBLY INSTRUCTIONS



PARTS

X1



CLIX BASE

X1



ROUND HPL TOP

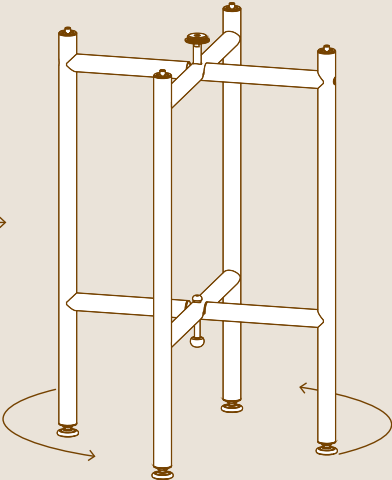
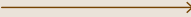
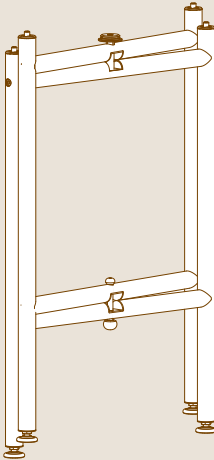
OR



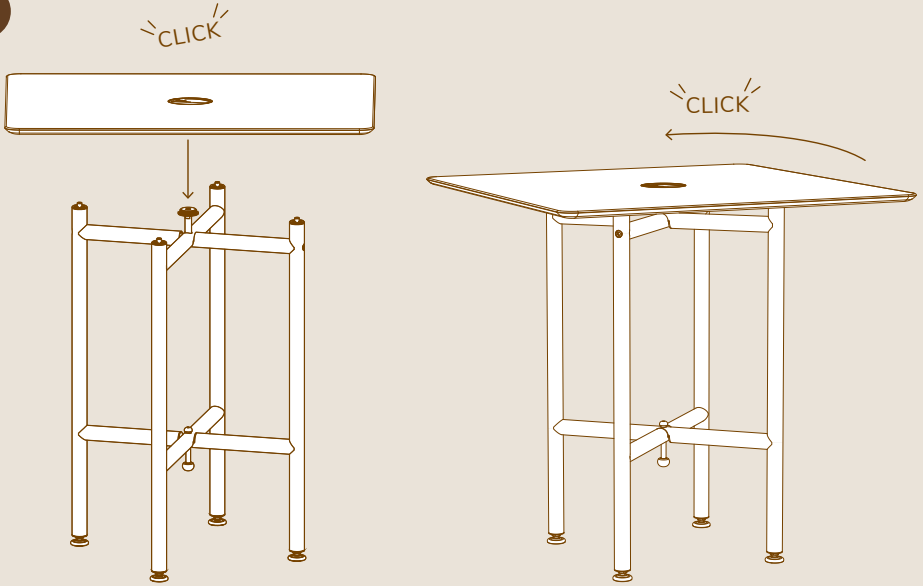
SQUARE HPL TOP

ASSEMBLY

1

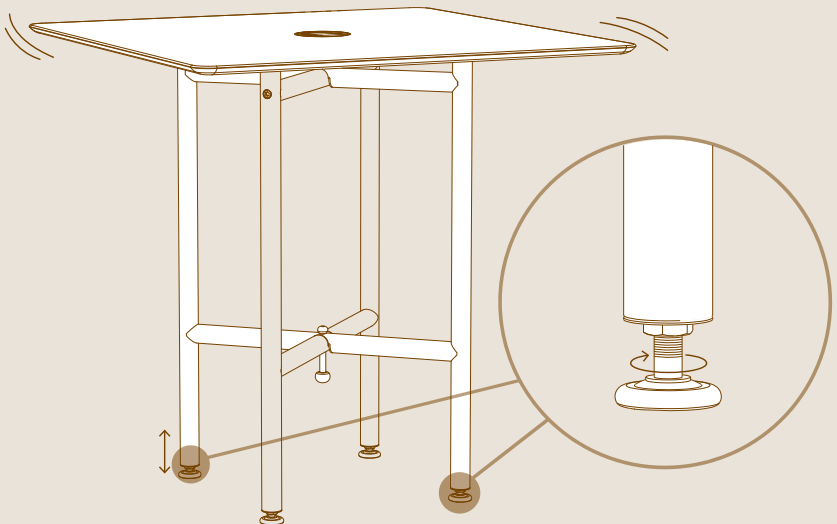


2



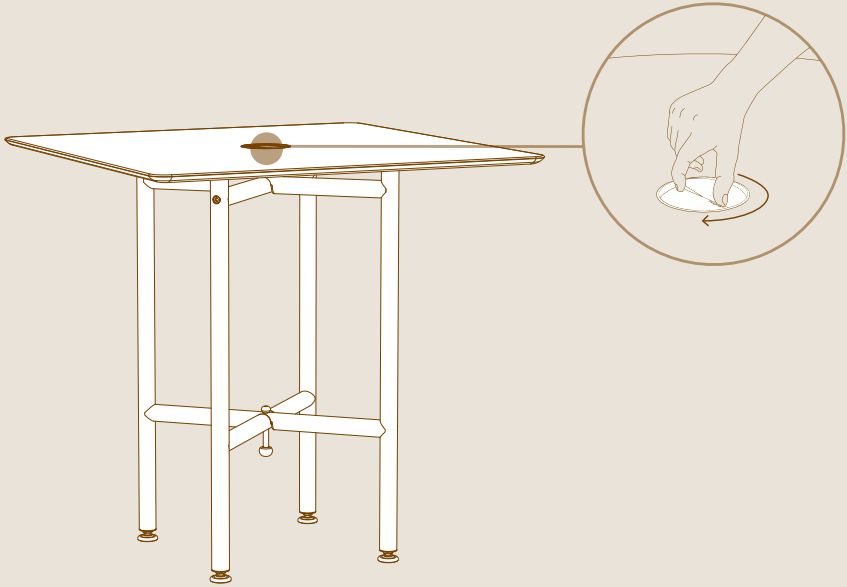
3

In case of a wobbly tabletop, adjust the leg levelers height only on the top cross legs.

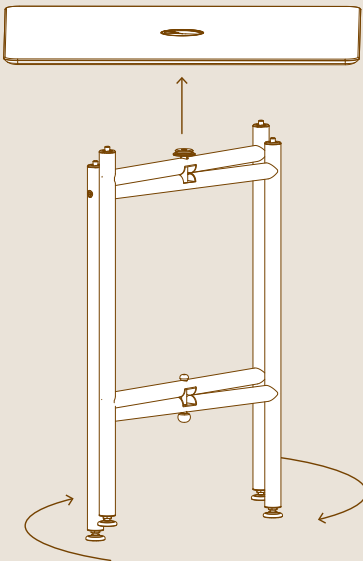


DISASSEMBLY

1



2



GREAT JOB, YOUR GOOD TO GO!